

LAVINA®

SERIES

7

SPARE PARTS

LAVINA®

L19S7

L19EUS7

L19ES7

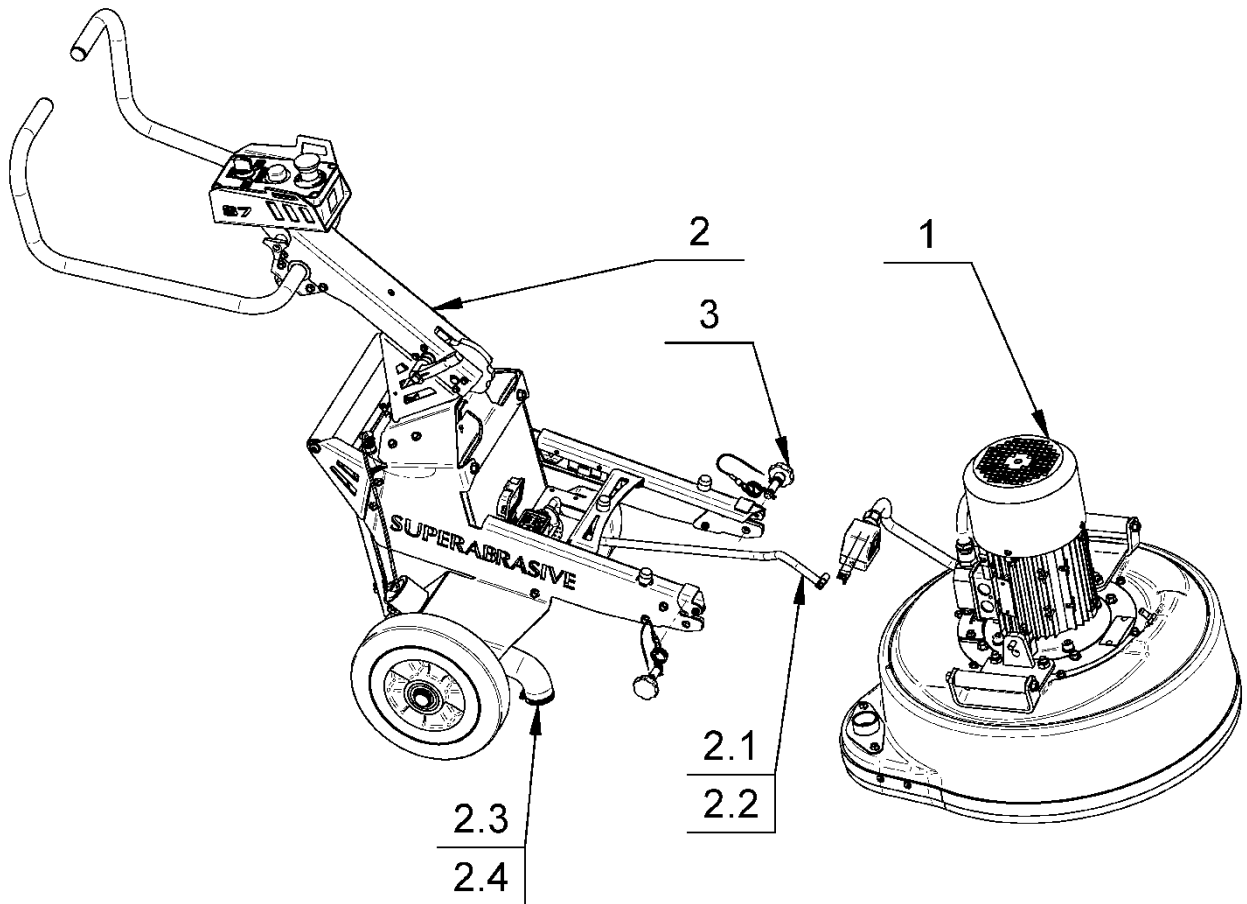


bej

SUPERABRASIVE



1.1 GENERAL PARTS

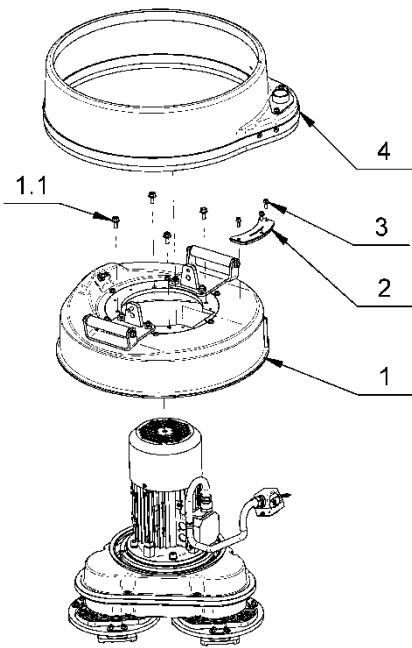


No.	Item No.	Description	Pcs.
1	L19S7.10.00.00	Main Head	1
2	L19S7.20.00.00	Carriage	1
2.1	L19S7.20.00.02	PE Tube	1
2.2	30308000402	Hose clamp	2
2.3	L19S7.20.00.01	Soft Vacuum Hose	1
2.4	30308000421	Clamp 32-50 EU 9 W1	2
3	L21-40.00.00	Pin Assembly	2

No.	Item No.	Description	Pcs.
1	L19EUS7.10.00.00	Main Head	1
2	L19ES7.20.00.00	Carriage	1
2.1	L19S7.20.00.02	PE Tube	1
2.2	30308000402	Hose clamp	2
2.3	L19S7.20.00.01	Soft Vacuum Hose	1
2.4	30308000421	Clamp 32-50 EU 9 W1	2
3	L21-40.00.00	Pin Assembly	2

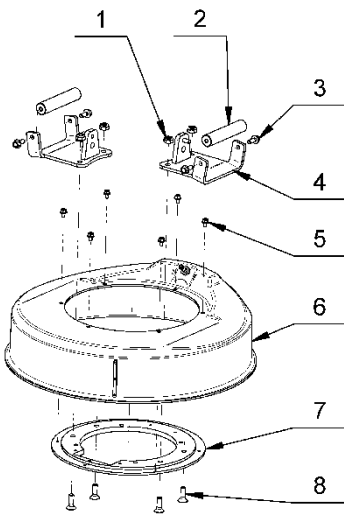
No.	Item No.	Description	Pcs.
1	L19EUS7.10.00.00	Main Head	1
2	L19EUS7.20.00.00	Carriage	1
2.1	L19S7.20.00.02	PE Tube	1
2.2	30308000402	Hose clamp	2
2.3	L19S7.20.00.01	Soft Vacuum Hose	1
2.4	30308000421	Clamp 32-50 EU 9 W1	2
3	L21-40.00.00	Pin Assembly	2

1.2 ENGINE BASE PARTS



1.2 LAVINA® 19S7; 19ES7; 19EUS7 ENGINE BASE PARTS			
No.	Item No.	Description	Pcs.
1	L19S7.19.00.00	Ring outer set	1
	1.1	30301210031 Bolt M8X20DIN6921	4
2	L19S7.10.30.00	Cover	1
3	30301210051	Bolt M6X16DIN6921	3
4	L19S7.10.10.00	Guard Assembly	1

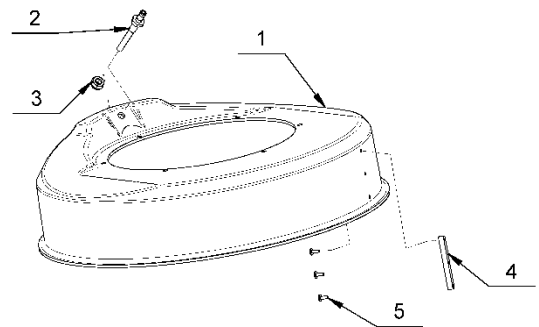
1.2.1 RING OUTER SET



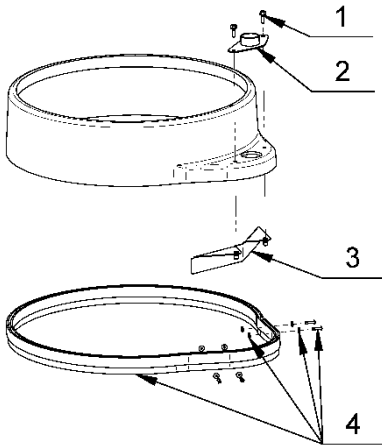
1.2.1 LAVINA® 19S7; 19ES7; 19EUS7 RING OUTER SET			
No.	Item No.	Description	Pcs.
1	30301240092	Nut M10DIN985	4
2	L19S7.19.00.02	Head handle	2
3	30301210031	Bolt M8X20DIN6921	4
4	L19S7.19.40.00	Fork	2
5	30301210043	Bolt M6X10DIN6921	6
6	L19S7.19.30.00	Top Cover Assembly	1
7	L19S7.19.00.01	Outer ring	1
8	30301230052	Screw M10X30DIN7991	4

1.2.1.1 TOP COVER ASSEMBLY

1.2.1.1 LAVINA® 19S7; 19ES7; 19EUS7 TOP COVER ASSEMBLY			
No.	Item No.	Description	Pcs.
1	L19S7.19.30.01	Top Cover	1
2	L19S7.19.30.03	Water connection	1
3	30301240092	Nut M10DIN985	1
4	L19S7.19.30.02	Limiter	1
5	30301230066	Screw M4X12DIN967	3

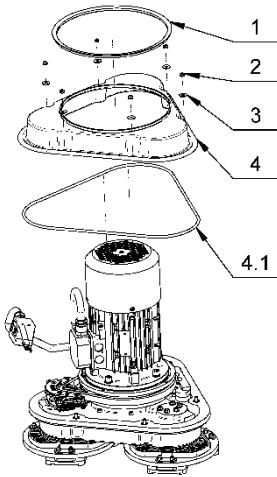


1.2.2 GUARD ASSEMBLY



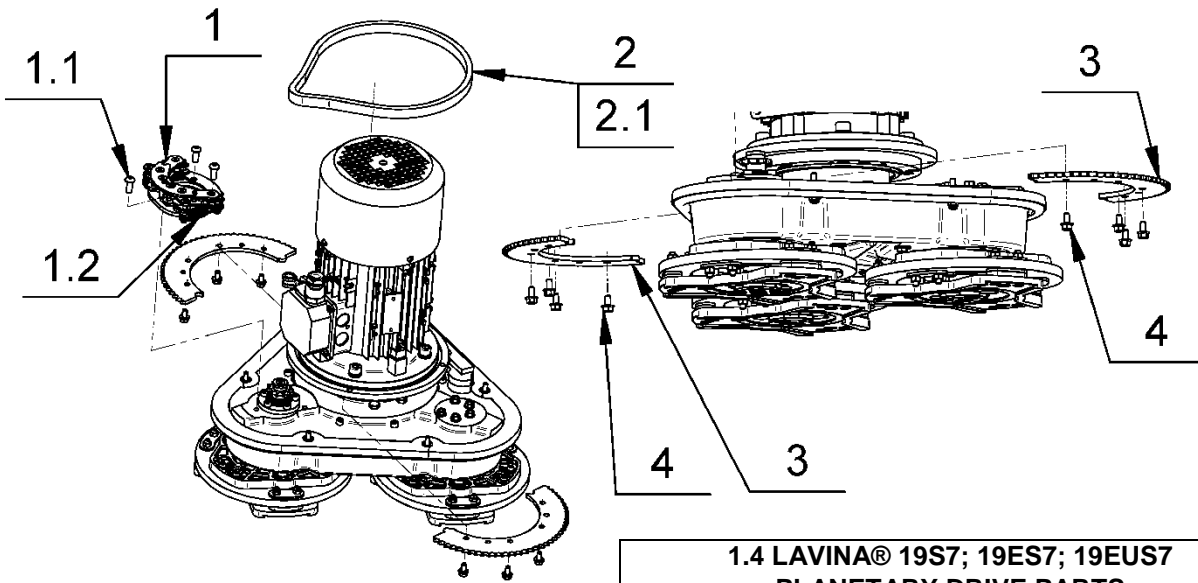
1.2.1.1 LAVINA® 19S7; 19ES7; 19EUS7 GUARD ASSEMBLY			
Item No. L19S7.10.10.00			
No.	Item No.	Description	Pc s.
1	30301210117	Bolt M6x20DIN6921	2
2	L19S7.10.11.00	Vacuum Port	1
3	L20E10.71.00	Bottom Vacuum Port	1
4	FBL1350-435857-L19S7-K	Brush set	1

1.3 TOP COVER



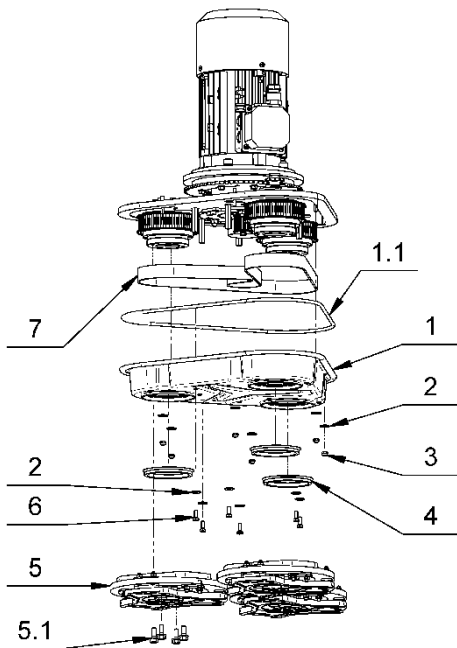
1.2.3 LAVINA® 19S7; 19ES7; 19EUS7 TOP COVER			
No.	Item No.	Description	Pcs.
1	30302000061	V-Ring Type L	1
2	30301240103	Nut M6DIN985	6
3	30301221012	Washer M6DIN9021	6
4	L19S7.10.20.00	Cover	1
4.1	L19S7.18.00.03	Seal	1

1.4 PLANETARY DRIVE PARTS



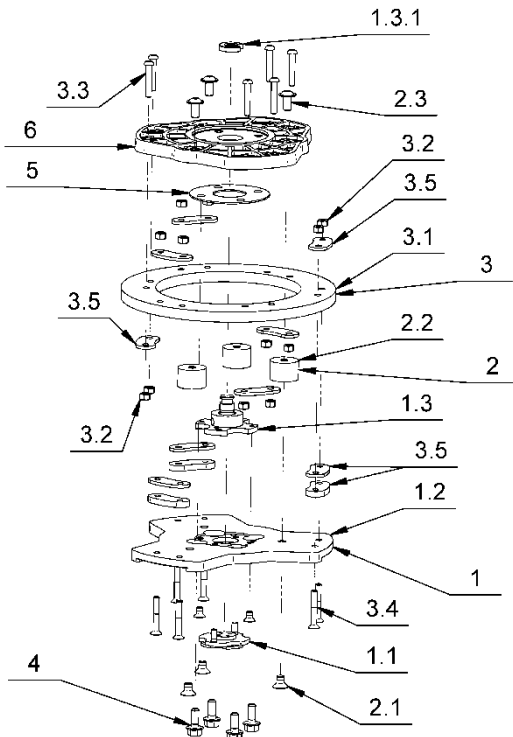
1.4 LAVINA® 19S7; 19ES7; 19EUS7 PLANETARY DRIVE PARTS			
No.	Item No.	Description	Pcs.
1	L19S7.16.00.00	Chain tensioner set	1
	1.1	Screw M8X20ISO7380-1	3
	1.2	30317000046 Springs	2
2	06BH-1-80-CL	Chain	1
	2.1	30312000050 Chain link	1
3	L20GS7.12.21.02	Sprocket	2
4	30301210048	Bolt M6x12DIN6921	8

1.5 BOTTOM COVER 1 PARTS



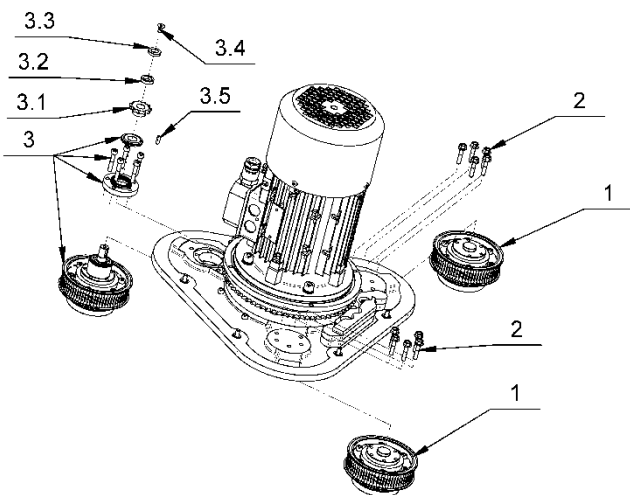
1.5 LAVINA® 19S7; 19ES7; 19EUS7 BOTTOM COVER 1 PARTS			
No.	Item No.	Description	Pcs.
1	L19S7.18.00.00	Cover	1
	1.1	L19S7.18.00.03 Seal	1
2	30301221012	Washer M6DIN9021	12
3	30301240103	Nut M6DIN985	6
4	30302000005	V-Ring Type A	3
5	A116.00.00	Tool Holder A116	3
	5.1	30301210031 Bolt M8x20DIN6921	12
6	30301210010	Screw M6X16DIN933	6
7	30308000142	Timing Belt	1

1.5.1 TOOL HOLDER A116



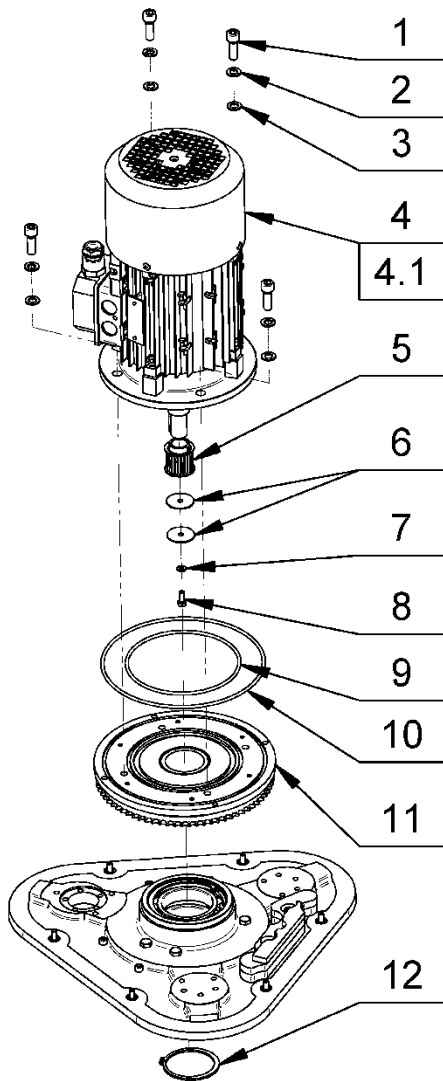
1.5.1 LAVINA® 19S7; 19ES7; 19EUS7 TOOL HOLDER A116				
ITEM NO. A116.00.00				
(POS.1 INCLUDE POS.1.1;1.2;1.3/POS.1.3 INCLUDE POS.1.3.1 and etc.)				
No.	Item No.	Description	Pcs.	
1	A116.10.00-K	Quick Change Assembly A116	1	
	1.1	A63.12.00	Keylock Set	1
	1.2	A116.11.00	Quick Change plate	1
	1.3	A116.10.00-K2	Security set A116	1
		1.3.1	A41.00.05	Washer A41
2	A116.01.00-K	Buffer set A116	3	
	2.1	30301230161	Screw M8X12DIN7991/10.9/	3
	2.2	A25.00.10	Buffer	3
	2.3	30301230209	Screw M8X16ISO7380F	3
3	A116.20.00-K	Driving Set A116	1	
	3.1	A41.20.03	Elastic Element	1
	3.2	30301240124	Self Locking Nut M6DIN980V	12
	3.3	30301230342	Screw M6X35 ISO7380	6
	3.4	30301230131	Screw M6X40DIN7991/10.9/	6
	3.5	A116.21.00-K	Set of plates A116	1
4	30301210031	Bolt M8x20DIN6921	4	
5	A116.20.02	Flange	1	
6	A116.11.00	Flange	1	

1.6 BOTTOM COVER 2 PARTS



1.6 LAVINA® 19S7; 19ES7; 19EUS7 BOTTOM COVER 2 PARTS				
No.	Item No.	Description	Pcs.	
1	L19S7.12.00.00	Pulley Unit Assembly	2	
2	30301210087	Bolt M6x30DIN6921	10	
3	L19S7.11.00.00	Pulley Unit Assembly	1	
	3.1	L19S7.11.00.04	Sprocket	1
	3.2	L19S7.11.00.06	Bushing	1
	3.3	L19S7.11.00.05	Washer	1
	3.4	30301230013	Screw M6X12DIN7991	1
3.5	30301260054	Key	1	

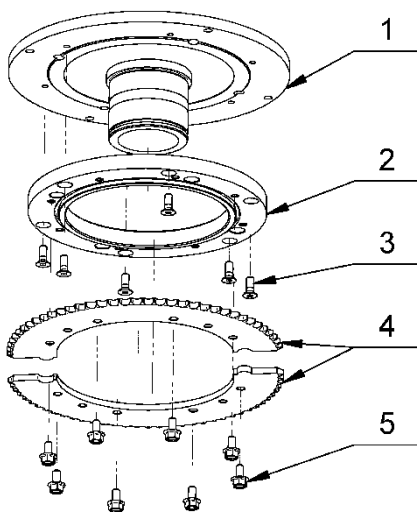
1.7 BOTTOM COVER 3 PARTS



1.7.1 LAVINA® 19ES7; 19EUS7 BOTTOM COVER 3 PARTS			
No.	Item No.	Description	Pcs.
1	30301230049	Screw M10X30DIN912	4
2	30301220025	Washer M10DIN127A	4
3	30301221023	Washer M10DIN433	4
4	A121.00.00.00	Electric motor assembly	1
4.1	30301260074	Key	1
5	L21X-10.00.02	Central Pulley	1
6	30301221022	Washer	2
7	30301220024	Washer M6DIN127A	1
8	30301210010	Screw M6X16DIN933	1
9	D4X2X455	Seal	1
10	D4X2X646	Seal	1
11	L19S7.13.00.00	Base plate assembly	1
12	30301250002	Retaining Ring	1

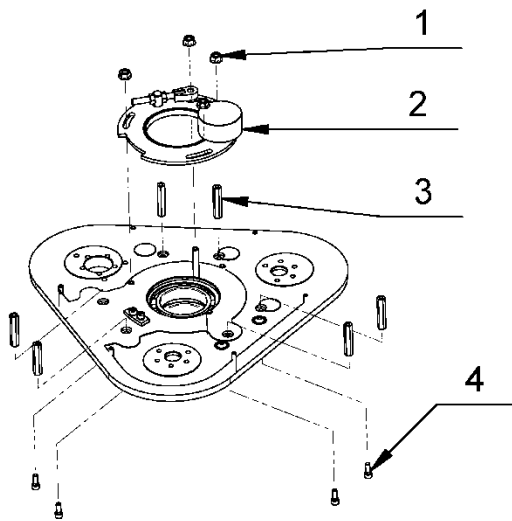
1.7.2 LAVINA® 19S7 BOTTOM COVER 3 PARTS			
No.	Item No.	Description	Pcs.
1	30301230049	Screw M10X30DIN912	4
2	30301220025	Washer M10DIN127A	4
3	30301221023	Washer M10DIN433	4
4	A130.00.00.00	Electric motor assembly	1
4.1	30301260074	Key	1
5	L21X-10.00.02	Central Pulley	1
6	30301221022	Washer	2
7	30301220024	Washer M6DIN127A	1
8	30301210010	Screw M6X16DIN933	1
9	D4X2X455	Seal	1
10	D4X2X646	Seal	1
11	L19S7.13.00.00	Base plate assembly	1
12	30301250002	Retaining Ring	1

1.7.3 Base plate assembly



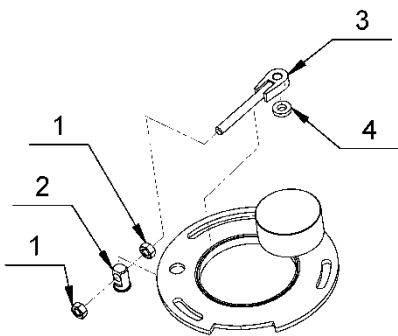
1.7.3 LAVINA® 19S7; 19ES7; 19EUS7 Base plate assembly			
Item No.		L19S7.13.00.00	
No.	Item No.	Description	Pcs.
1	L19S7.13.10.00	Casing plate	1
2	L19S7.13.00.01	Ring	1
3	30301230002	Screw M6X16DIN7991	6
4	L20GS7.12.21.02	Sprocket	2
5	30301210048	Bolt M6x12DIN6921	8

1.8 BOTTOM COVER 4 PARTS



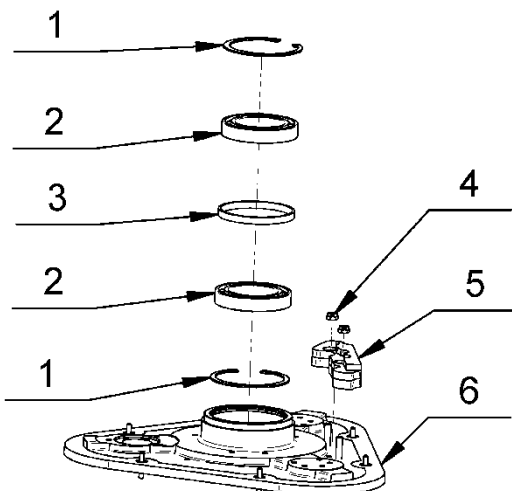
1.8 LAVINA® 19S7; 19ES7; 19EUS7 BOTTOM COVER 4 PARTS			
No.	Item No.	Description	Pcs.
1	30301240095	Nut M8DIN6923	4
2	L19S7.15.00.00	Tensioning Support	1
3	30316000111	Distance Screw	6
4	30301230098	Screw M6X16DIN912	6

1.8.1 Tensioning Support



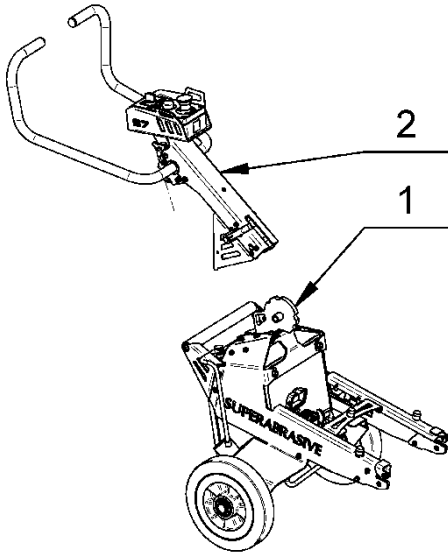
1.8.1 LAVINA® 19S7; 19ES7; 19EUS7 Tensioning Support			
Item No. L19S7.15.00.00			
No.	Item No.	Description	Pcs.
1	30301240023	Nut M8DIN934	2
2	L21X-17.00.01	Pin	1
3	L19S7.15.30.00	Support	1
4	L38GX-13.00.05	Washer	1

1.9 BOTTOM COVER 5 PARTS



1.9 LAVINA® 19S7; 19ES7; 19EUS7 BOTTOM COVER 5 PARTS			
No.	Item No.	Description	Pcs.
1	30301250009	Circlip	2
2	30303000012	Bearing	2
3	L25SPS-00.00.00.34	Distance Ring	1
4	30301240106	Nut M8DIN985	2
5	L19S7.17.00.00	Balance	1
6	L19S7.14.00.00-K	Body Assembly L19S7	1

1.10 CARRIAGE 1 PARTS

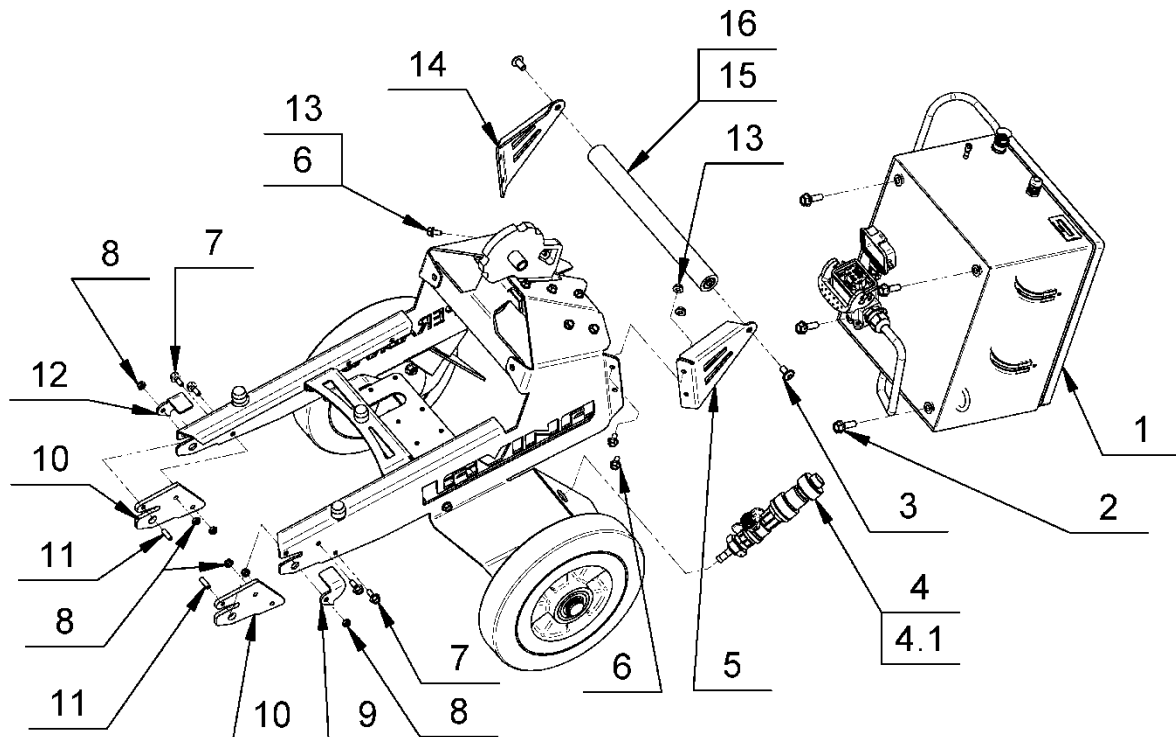


1.10.1 LAVINA® 19S7 CARRIAGE 1 PARTS			
No.	Item No.	Description	Pcs.
1	L19S7.21.00.00	Frame	1
2	L19S7.22.00.00	Handle Assembly	1

1.10.2 LAVINA® 19ES7 CARRIAGE 1 PARTS			
No.	Item No.	Description	Pcs.
1	L19ES7.21.00.00	Frame	1
2	L19S7.22.00.00	Handle Assembly	1

1.10.3 LAVINA® 19EUS7 CARRIAGE 1 PARTS			
No.	Item No.	Description	Pcs.
1	L19EUS7.21.00.00	Frame	1
2	L19S7.22.00.00	Handle Assembly	1

1.10.1 FRAME 1

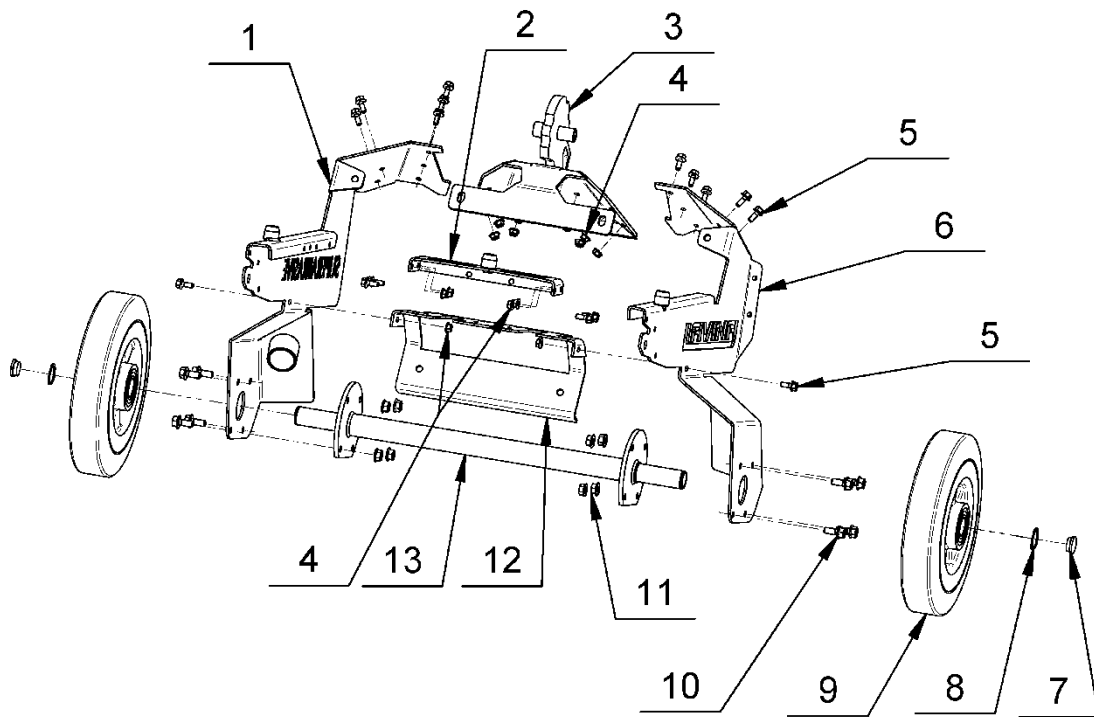


1.10.1.1 LAVINA® 19S7 FRAME 1			
No.	Item No.	Description	Pcs.
1	L19S7.21.50.00	Control Box	1
2	30301210038	Bolt M8X25DIN6921	4
3	30301230209	Screw M8X16ISO7380F	2
4	L19S7.21.40.00	Water Valve assembly	1
4.1	30301240015	Nut M20X1.5DIN439B	1
5	L16E21.00.12	Left support plate	1
6	30301210048	Bolt M6X12DIN6921	4
7	30301210051	Bolt M6X16DIN6921	4
8	30301240103	Nut M6DIN985	6
9	L16E21.00.05	Left Lock	1
10	L19S7.21.00.02	Plank	2
11	30301230330	Screw M6X20DIN916	2
12	L16E21.00.08	Right Lock	1
13	30301240098	Nut M6DIN6923	4
14	L16E21.00.11	Right support plate	1
15	L16E21.00.10	Support axle	1
16	L16E21.00.13	Rubber protection	1

1.10.1.2 LAVINA® 19ES7 FRAME 1			
No.	Item No.	Description	Pcs.
1	L19ES7.21.10.00	Control Box	1
2	30301210038	Bolt M8X25DIN6921	4
3	30301230209	Screw M8X16ISO7380F	2
4	L19S7.21.40.00	Water Valve assembly	1
4.1	30301240015	Nut M20X1.5DIN439B	1
5	L16E21.00.12	Left support plate	1
6	30301210048	Bolt M6X12DIN6921	4
7	30301210051	Bolt M6X16DIN6921	4
8	30301240103	Nut M6DIN985	6
9	L16E21.00.05	Left Lock	1
10	L19S7.21.00.02	Plank	2
11	30301230330	Screw M6X20DIN916	2
12	L16E21.00.08	Right Lock	1
13	30301240098	Nut M6DIN6923	4
14	L16E21.00.11	Right support plate	1
15	L16E21.00.10	Support axle	1
16	L16E21.00.13	Rubber protection	1

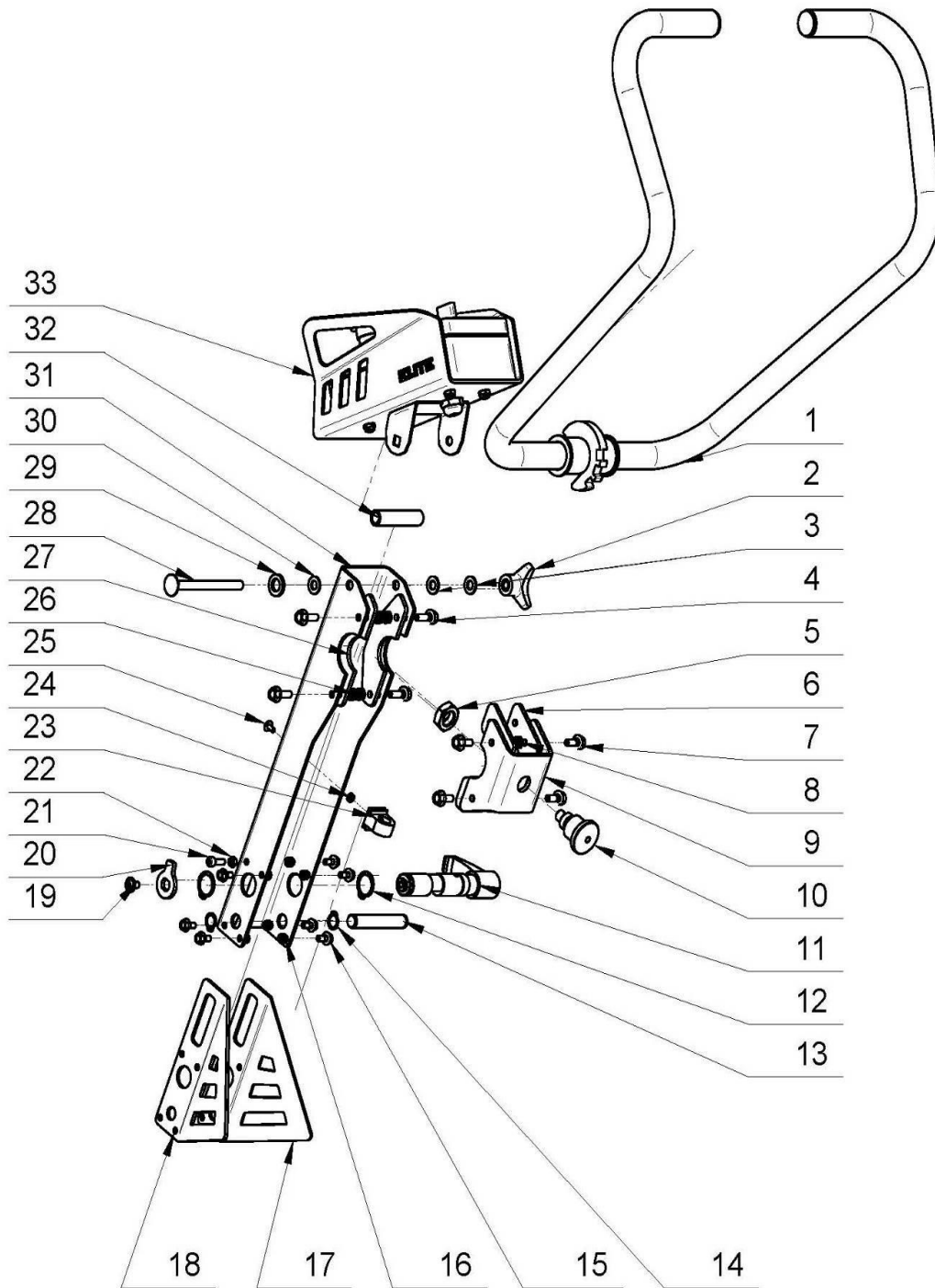
1.10.1.3 LAVINA® 19EUS7 FRAME 1			
No.	Item No.	Description	Pcs.
1	L19EUS7.21.10.00	Control Box	1
2	30301210038	Bolt M8X25DIN6921	4
3	30301230209	Screw M8X16ISO7380F	2
4	L19S7.21.40.00	Water Valve assembly	1
	4.1 30301240015	Nut M20X1.5DIN439B	1
5	L16E21.00.12	Left support plate	1
6	30301210048	Bolt M6X12DIN6921	4
7	30301210051	Bolt M6X16DIN6921	4
8	30301240103	Nut M6DIN985	6
9	L16E21.00.05	Left Lock	1
10	L19S7.21.00.02	Plank	2
11	30301230330	Screw M6X20DIN916	2
12	L16E21.00.08	Right Lock	1
13	30301240098	Nut M6DIN6923	4
14	L16E21.00.11	Right support plate	1
15	L16E21.00.10	Support axle	1
16	L16E21.00.13	Rubber protection	1

1.10.2 FRAME 2



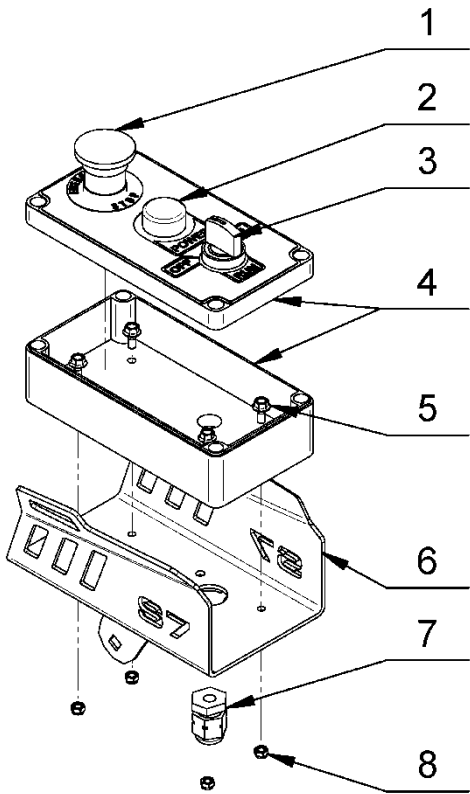
1.10.2 LAVINA® 19S7; 19ES7; 19EUS7 FRAME 2				
No.	Item No.	Description	Pcs.	
1	L19S7.21.20.00	Right Frame	1	
2	L16E21.40.00	Support Plate	1	
3	L19S7.21.30.00	Handlebar Pivot	1	
4	30301240098	Nut M6DIN6923	16	
5	30301210051	Bolt M6X16DIN6921	16	
6	L19S7.21.10.00	Left Frame	1	
7	40401000112	Stopples	2	
8	30301250036	Circlip	2	
9	30312000004	Wheel	2	
10	30301210031	Bolt M8X20DIN6921	8	
11	30301240095	Nut M8DIN6923	8	
12	L19S7.21.00.01	Dashboard carrier	1	
13	L20GS7.20.10.00	Axle Kit	1	

1.10.3 Handle Assembly



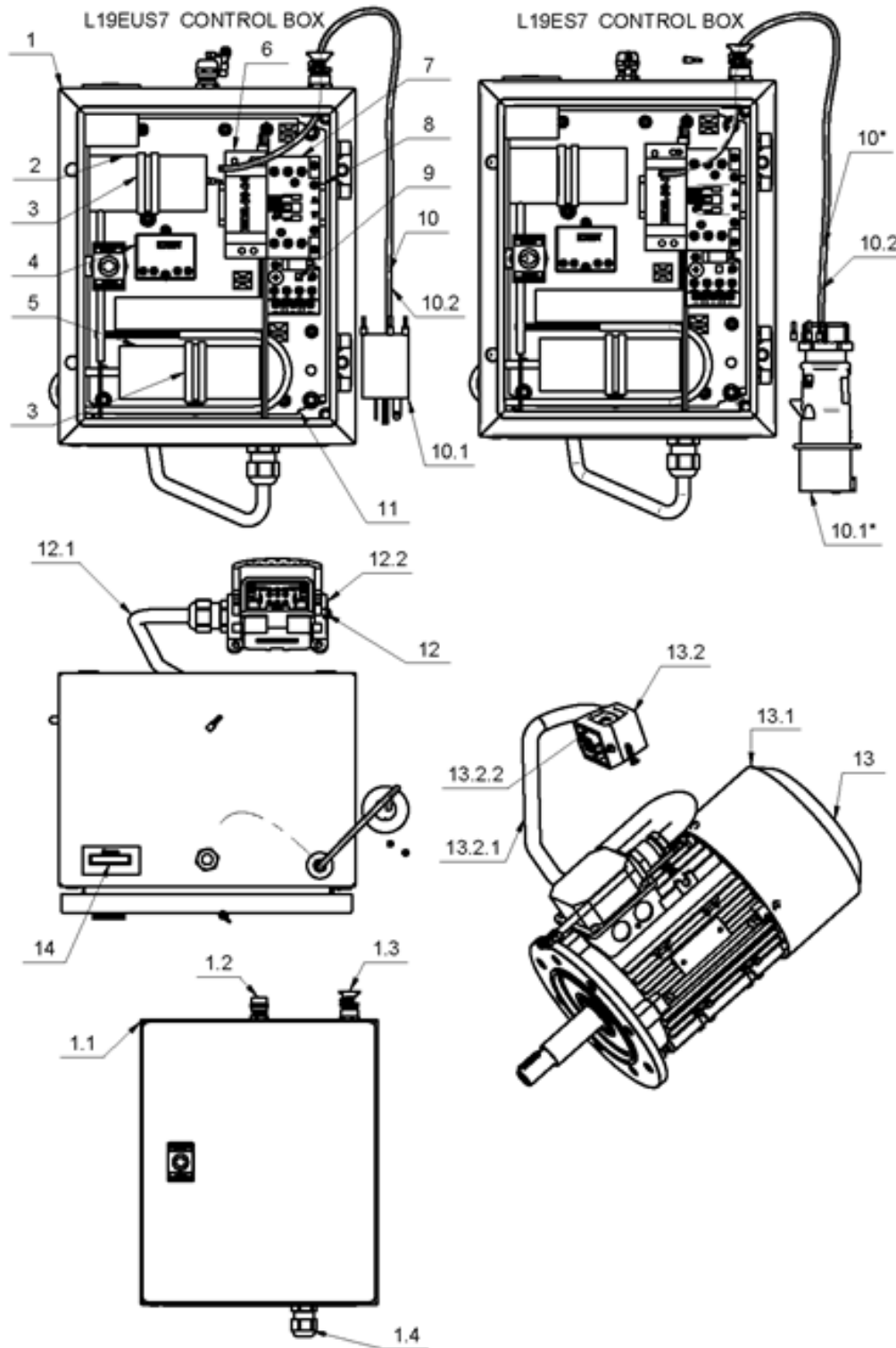
1.10.3 LAVINA® 19S7; 19ES7; 19EUS7 HANDLE ASSEMBLY			
No.	Item No.	Description	Pcs.
1	L16E22.20.00	Handle kit	1
2	30329000047	Handle	1
3	30301221004	Washer M8DIN125A	2
4	30301210117	Bolt M6x20DIN6921/8.8/	4
5	30301240135	Nut M16x1.5DIN439	1
6	L16E22.00.10	Bracket	2
7	30301210051	Bolt M6x16DIN6921/8.8/	4
8	30301240103	Nut M6DIN985	4
9	L16E22.00.09	Bracket	1
10	30329000050	Handle	1
11	L16E22.10.00	Locking Handle Assembly	1
12	30301250042	Retaining Ring B20DIN471_A2	2
13	L16E22.00.03	Pin	1
14	30301250041	Retaining Ring B12DIN471_A2	2
15	30301210030	Bolt M5x12DIN6921/8.8/	7
16	30301240090	Nut M5DIN985	8
17	L19S7.22.00.03	Left Bracket	1
18	L19S7.22.00.02	Right Bracket	1
19	30301230021	Screw M6x10 ISO7380F/10.9/	1
20	L16E22.00.06	Position Limiter	1
21	30301230010	Screw M5x16DIN912/8.8/	1
22	30301240021	Nut M5DIN934	1
23	30311000517	Mounting bracket FCL13B	2
24	30301240020	Nut M4DIN934	2
25	30301230097	Screw M4x8DIN967/8.8/	2
26	30301240103	Nut M6DIN985	4
27	L16E22.00.08	Plate	2
28	30301210091	Bolt M8x100DIN603/8.8/	1
29	L16E22.00.05	Distance	1
30	30301221004	Washer M8DIN125A	1
31	L19S7.22.00.01	Console	1
32	L16E22.00.04	Spacer	1
33	L19S7.22.10.00	Control board assembly	1

1.10.3.1 Control board assembly



1.10.3.1 LAVINA® 19S7; 19ES7; 19EUS7 CONTROL BOARD ASSEMBLY			
No.	Item No.	Description	Pcs.
1	30311000717	EMG Button	1
2	30311000740	Power glowing Green	1
3	30311000732-K	Switch	1
4	L19S7.22.10.01-K	Box kit	1
5	30301210030	Bolt M5x12DIN6921/8.8/	4
6	L19S7.22.11.00	Protector	1
7	30311000401	Cable Gland 16x1,5	1
8	30301240090	Nut M5DIN985	4

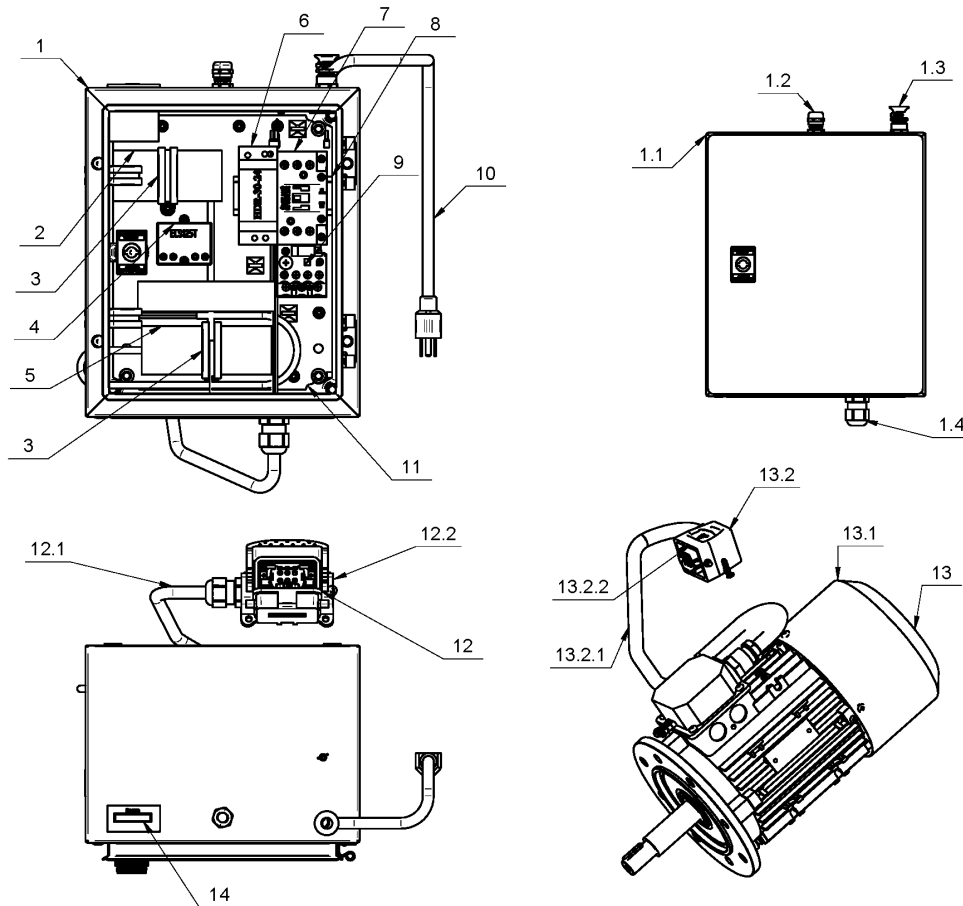
1.11 LAVINA® 19EUS7 & 19ES7 CONTROL BOX



1.11 LAVINA® 19ES7; 19EUS7 CONTROL BOX							
No.	Item No.	Description	Pcs.	No.	Item No.	Description	Pcs.
1	L19EUS7.21.10.10	Metal box assembly	1	10*	L16EU21.13.00	Cable with connector	1
1.1	L19EUS7.21.11.11	Metal box(only)	1	10.1	30311000057	Connector	1
1.2	30311000401	Cable gland M16x1.5	1	10.1*	30311000145	Connector	1
1.3	30311000416	Cable gland M20x1.5	1	10.2	L16EU21.13.10	Cable	1
1.4	30311000403	Cable gland M20x1.5	1	11	L19EEUS7.21.10.31	Metal plate (only)	1
2	30311000540	Start capacitor	1	12	L19EUS7.21.11.00	Cable with connector	1
3	30308000425	Clamp	2	12.1	L19EUS7.21.11.10	Cable	1
4	30311000550	Electronic Centrifugal Switches ECS225T	1	12.2	L19EUS7.21.11.20	Connector	1
5	30311000539	Working capacitor	1	13	A121.00.00.00	Electric motor assembly	1
6	30313000213	DC Power supply	1	13.1	S-190-3	Electric motor	1
7	30311000190	Contactora	1	13.2	A121.10.00.00	Cable with conenector	1
8	L19EUS7.21.10.21	Rail L=90 H=7,5	1	13.2.1	A121.10.10.00	Cable	1
9	30311000164	thermal protection	1	13.2.2	A121.10.20.00	Conenector	1
10	L16EUS21.13.00	Cable with connector	1	14	30313000151	Hour meter	1

* For Lavina 19ES7

1.12 LAVINA® 19S7 CONTROL BOX



1.12 LAVINA® 19S7 CONTROL BOX							
No.	Item No.	Description	Pcs.	No.	Item No.	Description	Pcs.
1	L19S7.21.50.10	Metal box assembly	1	9	30311000164	thermal protection	1
1.1	L19S7.21.50.11	Metal box(only)	1	10	L16E21.14.00	Cable with connector	1
1.2	30311000401	Cable gland M16x1.5	1	11	L19EEUS7.21.10.31	Metal plate (only)	1
1.3	30311000416	Cable gland M20x1.5	1	12	L19EUS7.21.11.00	Cable with connector	1
1.4	30311000403	Cable gland M20x1.5	1	12.1	L19EUS7.21.11.10	Cable	1
2	30311000551	Start capacitor	1	12.2	L19EUS7.21.11.20	Connector	1
3	30308000425	Clamp	2	13	A130.00.00.00	Electric motor assembly	1
4	30311000553	Electronic Centrifugal Switches	1	13.1	30305000054	Electric motor	1
5	30311000539	Working capacitor	1	13.2	A121.10.00.00	Cable with conenector	1
6	30313000213	DC Power supply	1	13.2.1	A121.10.10.00	Cable	1
7	30311000189	Contactor	1	13.2.2	A121.10.20.00	Conenector	1
8	L19EUS7.21.10.21	Rail L=90 H=7,5	1	14	30313000153	Hour meter	1