

# LAVINA®

## SERIES

# 7



*by*

### SUPERABRA



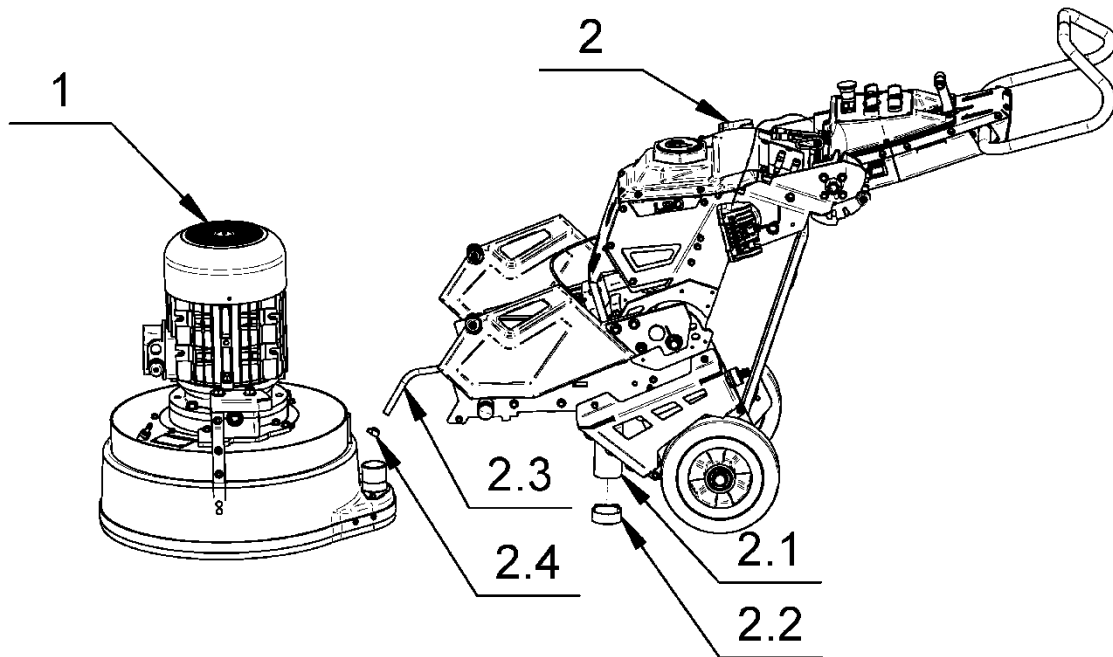
**SPARE  
PARTS**

**L20S7**

**L20ES7**

**L200ES7**

### 1.1 GENERAL PARTS



1.1.1 LAVINA® 20S7 General parts			
No.	Item No.	Description	Pcs.
1	L20S7.10.00.00	Main Head	1
2	L20S7.20.00.00	Carriage	1
2.1	L20GS7.20.00.09	Soft Vacuum Hose	1
2.2	30308000400	Clamp SGB 56-59	2
2.3	MAR16.470	PE Tube	1
2.4	30308000402	Hose clamp	2

1.1.2 LAVINA® 20ES7 General parts			
No.	Item No.	Description	Pcs.
1	L20ES7.10.00.00	Main Head	1
2	L20ES7.20.00.00	Carriage	1
2.1	L20GS7.20.00.09	Soft Vacuum Hose	1
2.2	30308000400	Clamp SGB 56-59	2
2.3	MAR16.470	PE Tube	1
2.4	30308000402	Hose clamp	2

1.1.3 LAVINA® 20OES7 General parts			
No.	Item No.	Description	Pcs.
1	L20ES7.10.00.00	Main Head	1
2	L20OES7.20.00.00	Carriage	1
2.1	L20GS7.20.00.09	Soft Vacuum Hose	1
2.2	30308000400	Clamp SGB 56-59	2
2.3	MAR16.470	PE Tube	1
2.4	30308000402	Hose clamp	2

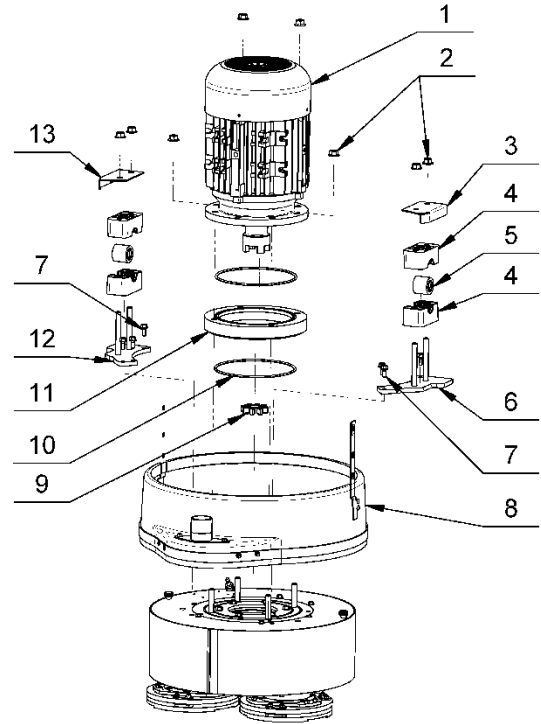
## 1.2 ENGINE BASE PARTS

### 1.2.1 LAVINA® 20S7 ENGINE BASE PARTS

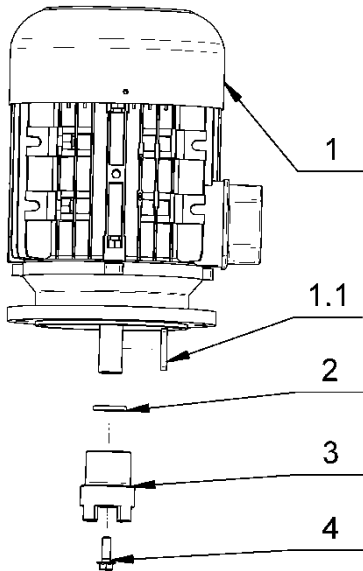
No.	Item No.	Description	Pcs.
1	L20S7.10.03.00	Electric motor assembly	1
2	30301240134	Nut M12DIN6923	8
3	L20GS7.10.00.12	Right plank	1
4	L30GS7.00.00.02	Head carrier	4
5	30310000013	Buffer	2
6	L20S7.10.01.00	Right Fork	1
7	30301210031	Bolt M8X20DIN6921	6
8	L20GS7.10.40.00	Guard Assembly	1
9	30331000000	Elastic element	1
10	D4X2X650	Seal	2
11	L20S7.10.00.01	Distance Ring	1
12	L20S7.10.02.00	Left Fork	1
13	L20GS7.10.00.13	Left plank	1

### 1.2.2 LAVINA® 20ES7; 20OES ENGINE BASE PARTS

No.	Item No.	Description	Pcs.
1	L20ES7.10.03.00	Electric motor assembly	1
2	30301240134	Nut M12DIN6923	8
3	L20GS7.10.00.12	Right plank	1
4	L30GS7.00.00.02	Head carrier	4
5	30310000013	Buffer	2
6	L20S7.10.01.00	Right Fork	1
7	30301210031	Bolt M8X20DIN6921	6
8	L20GS7.10.40.00	Guard Assembly	1
9	30331000000	Elastic element	1
10	D4X2X650	Seal	2
11	L20S7.10.00.01	Distance Ring	1
12	L20S7.10.02.00	Left Fork	1
13	L20GS7.10.00.13	Left plank	1



### 1.2.1 ELECTRIC MOTOR ASSEMBLY

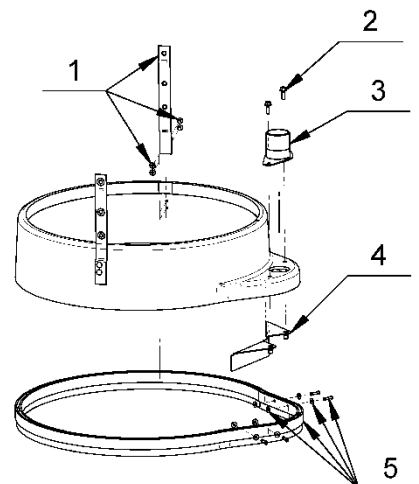


<b>1.2.1.1 LAVINA® 20S7</b>			
<b>Electric motor assembly</b>			
<b>Item No. L20S7.10.03.00</b>			
No.	Item No.	Description	Pcs.
1	A120.00.00.00	<b>Electric motor</b>	1
1.1		Key 8X7X50DIN6885	1
2	L20S7.10.03.02	<b>Spacer</b>	1
3	L20S7.10.03.01	Coupling B	1
4	30301210119	Bolt M10X30DIN6921	1

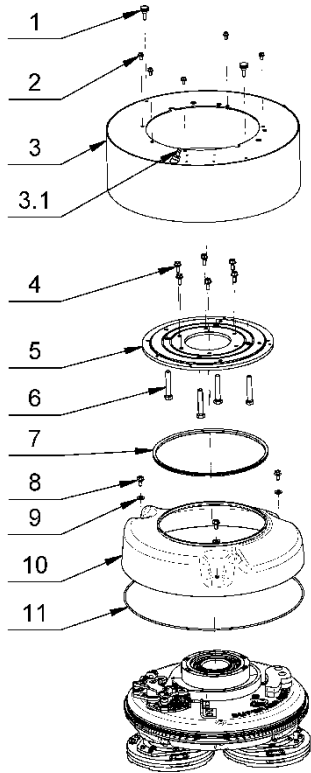
<b>1.2.1.2 LAVINA® 20ES7; 20OES</b>			
<b>Electric motor assembly</b>			
<b>Item No. L20ES7.10.03.00</b>			
No.	Item No.	Description	Pcs.
1	A123.00.00.00	<b>Electric motor</b>	1
1.1		Key 8X7X50DIN6885	1
2	L20S7.10.03.02	<b>Spacer</b>	1
3	L20S7.10.03.01	Coupling B	1
4	30301210119	Bolt M10X30DIN6921	1

### 1.2.2 GUARD ASSEMBLY

<b>1.2.2 LAVINA® 20S7; 20ES7; 20OES</b>			
<b>Guard Assembly</b>			
<b>Item No. L20GS7.10.40.00</b>			
No.	Item No.	Description	Pcs.
1	L30GS7.10.71.00-K	Restriction strip set	2
2	30301210117	Bolt M6x20DIN6921	2
3	L20E10.72.00	Vacuum Port	1
4	L20E10.71.00	Bottom Vacuum Port	1
5	FBL1350-435857-K	Brush set	1



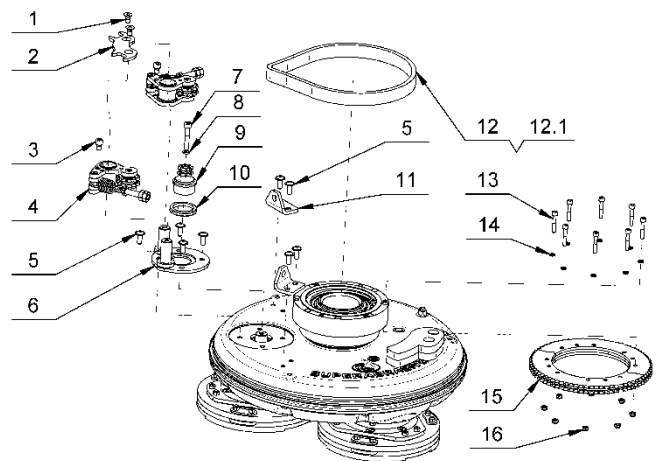
### 1.3 TOP COVER



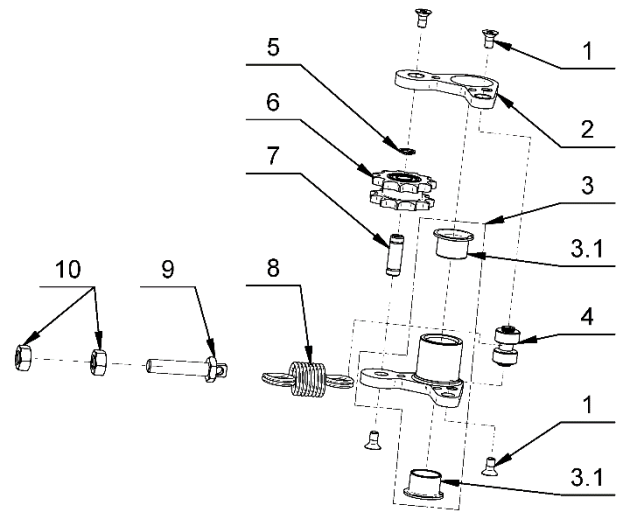
1.3 LAVINA® 20S7; 20ES7; 20OES TOP COVER				
No.	Item No.	Description	Pcs.	
1	30329000065	Knob Bolt M6X20	2	
2	30301210048	Bolt M6X12DIN6921	5	
3	L20GS7.10.50.00	Top Cover Assembly	1	
	3.1	30316000015	Water connection	1
4	30301210031	Bolt M8X20DIN6921	9	
5	L20S7.10.00.02	Base plate	1	
6	30301210200	Bolt M12X70DIN933	4	
7	30302000061	V-Ring Type L	1	
8	30301210072	Bolt M8X16DIN6921	3	
9	30301221013	Washer M8DIN134	3	
10	L20GS7.10.00.11	Cover	1	
11	D4X2X1465	Seal	1	

### 1.4 PLANETARY DRIVE PARTS

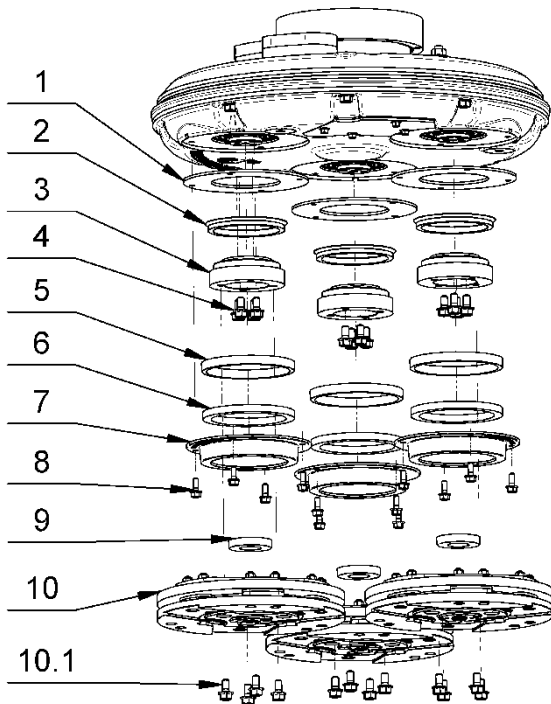
1.4 LAVINA® 20S7; 20ES7; 20OES PLANETARY DRIVE PARTS				
No.	Item No.	Description	Pcs.	
1	30301230056	Screw M8X16DIN7991	2	
2	L20GS7.10.00.10	Sector	1	
3	30301230300	Screw M8X12DIN912	2	
4	L20GS7.10.30.00	Chain tensioner	2	
5	30301230101	Screw M8x20ISO7380F	8	
6	L20GS7.10.11.00	Base plate	1	
7	30301230112	Screw M8X45DIN912	1	
8	30301220022	Washer M8DIN7980	1	
9	L20GS7.10.00.06	Sprocket set	1	
10	30302000010	V-Ring Type A	1	
11	A115.10.00.01	Holder	2	
12	06B-2-79-OL	Chain	1	
	12.1	30312000317	Chain link	1
13	30301230041	Screw M6X35DIN912	8	
14	30301220013	Washer M6DIN7980	8	
15	L20GS7.12.21.00	Sprocket set	1	
16	30301240103	Nut M6DIN985	8	



1.4.1 LAVINA® 20S7; 20ES7; 20OES Chain tensioner			
Item No. L20GS7.10.30.00			
No.	Item No.	Description	Pcs.
1	30301230013	Screw M6X12DIN7991	4
2	L30GS7.14.00.02	Top plate	1
3	L30GS7.14.10.00	Base assembly	1
3.1	30303000102	Slide bearing	2
4	L30GS7.15.00.01	Axle	1
5	30301250003	Retaining Ring	1
6	L20GS7.10.31.00	Sprocket Set	1
7	L20GS7.10.30.01	Axle	1
8	L30GS7.14.00.03	Springs	1
9	L30GS7.14.03.00	Capstan screws	1
10	30301240099	Nut M10DIN934	2



### 1.5 BOTTOM COVER 1 PARTS



1.5 LAVINA® 20S7; 20ES7; 20OES BOTTOM COVER 1 PARTS			
No.	Item No.	Description	Pcs.
1	L30GS7.10.00.05	Pad	3
2	30302000005	V-Ring Type A	3
3	L20GS7.10.00.07	Adaptor	3
4	30301210072	Bolt M8x16DIN6921	12
5	L30GS7.10.00.04	Ring	3
6	30309000000	Felt Ring	3
7	L30GS7.10.00.06	Outer Cover	3
8	30301210051	Bolt M6x16DIN6921	12
9	L20GS7.10.00.08	Ring	3
10	A63.00.00	Tool Holder A63	3
10.1	30301210072	Bolt M8x16DIN6921	12

### 1.5.1 TOOL HOLDER A63

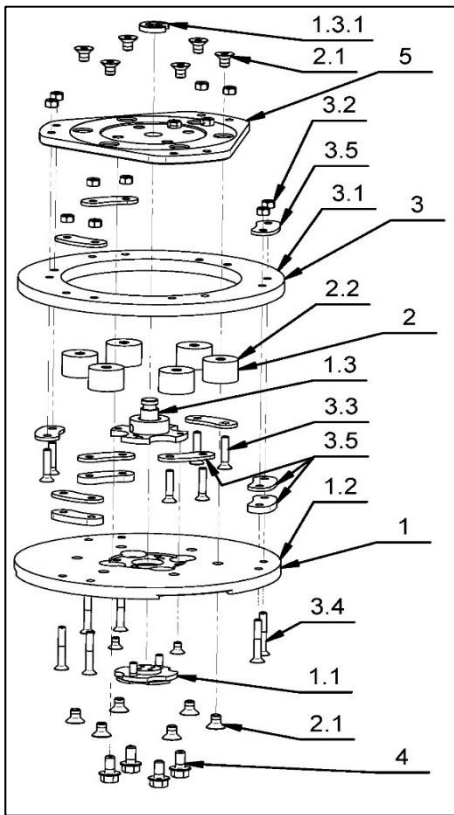
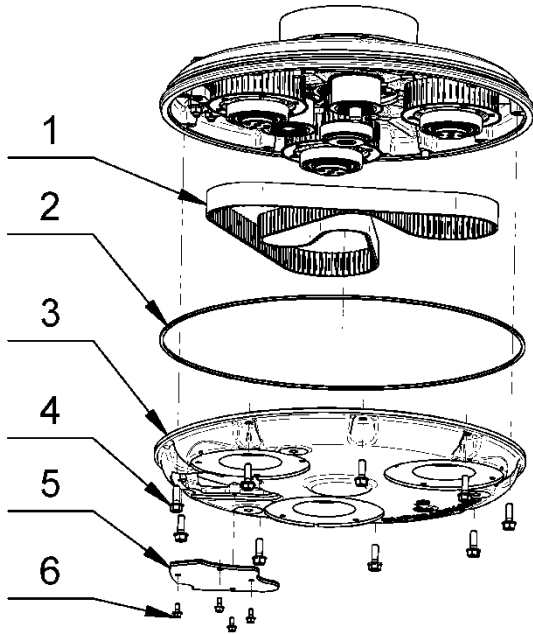


Figure 1.5.1

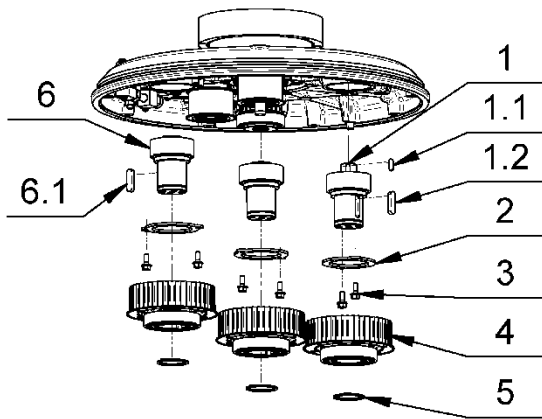
1.5.1 LAVINA® 20GS7 TOOL HOLDER A63				
ITEM NO. A63.00.00				
(POS.1 INCLUDE POS.1.1;1.2;1.3/POS.1.3 INCLUDE POS.1.3.1 and etc.)				
No.		Item No.	Description	Pcs.
1		A63.10.00	Quick Change Assembly	1
	1.1	A63.12.00	Keylock Set	1
	1.2	A41.11.00	Quick Change plate	1
	1.3	A41.12.00	Security set	1
		1.3.1	A41.00.05	Washer A41
2		A25.00.10-K	Buffer with two screw	6
	2.1	30301230161	Screw M8X12DIN7991/10.9/	12
	2.2	A25.00.10	Buffer	6
3		A41.20.03-K	Driving Set A41	1
	3.1	A41.20.03	Elastic Element	1
	3.2	30301240124	Self Locking Nut M6DIN980V	12
	3.3	30301230123	Screw M6X30DIN7991/10.9/	6
	3.4	30301230131	Screw M6X40DIN7991/10.9/	6
	3.5	A41.21.00	Set of plates	1
4		30301210072	Bolt M8x16DIN6921	4
5		A41.20.01	Flange	1

### 1.6 BOTTOM COVER 2 PARTS



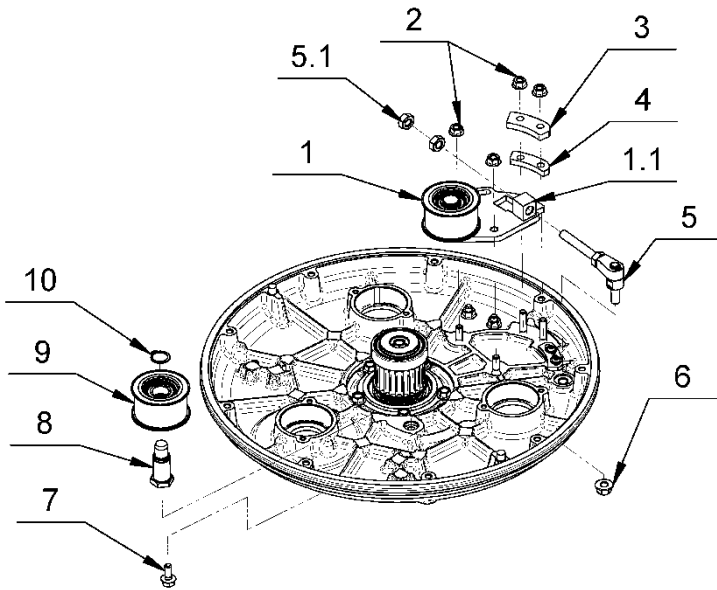
1.6 LAVINA® 20S7; 20ES7; 20OES BOTTOM COVER 2 PARTS			
No.	Item No.	Description	Pcs.
1	30308000180	Timing Belt	1
2	D4X2X1485	Seal	1
3	L20GS7.10.01.00	Bottom Cover Set	1
4	30301210038	Bolt M8X25DIN6921	9
5	L20GS7.10.07.00	Inspection Cover	1
6	30301210030	Bolt M5X12DIN6921	4

### 1.7 BOTTOM COVER 3 PARTS



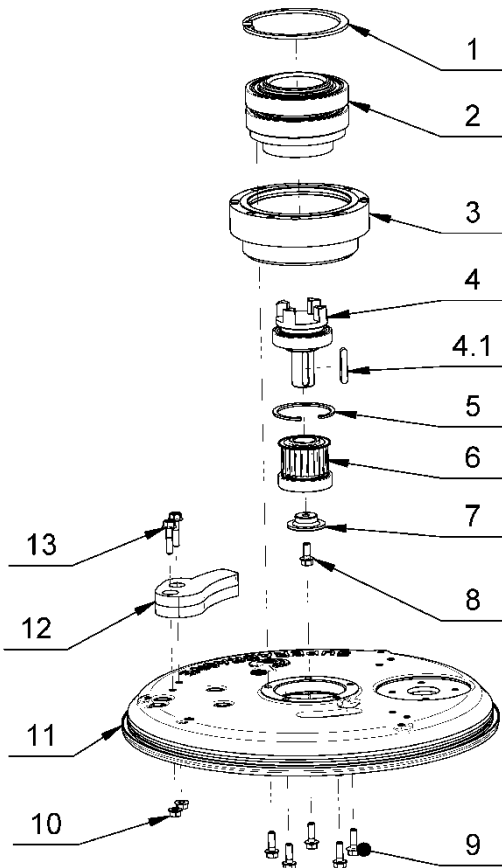
1.7. LAVINA® 20S7; 20ES7; 20OES BOTTOM COVER 3 PARTS			
No.	Item No.	Description	Pcs.
1	L20GS7.10.02.00	Shaft Assembly	1
	1.1 30301260064	Key	1
	1.2 30301260092	Key	1
2	L20GS7.10.00.02	Cover	3
3	30301210051	Bolt M6x16DIN6921	6
4	L20GS7.10.03.00	Pulley	3
5	30301250039	Retaining Ring	3
6	L20GS7.10.04.00	Shaft Assembly	2
	6.1 30301260092	Key	1

### 1.8 BOTTOM COVER 4 PARTS



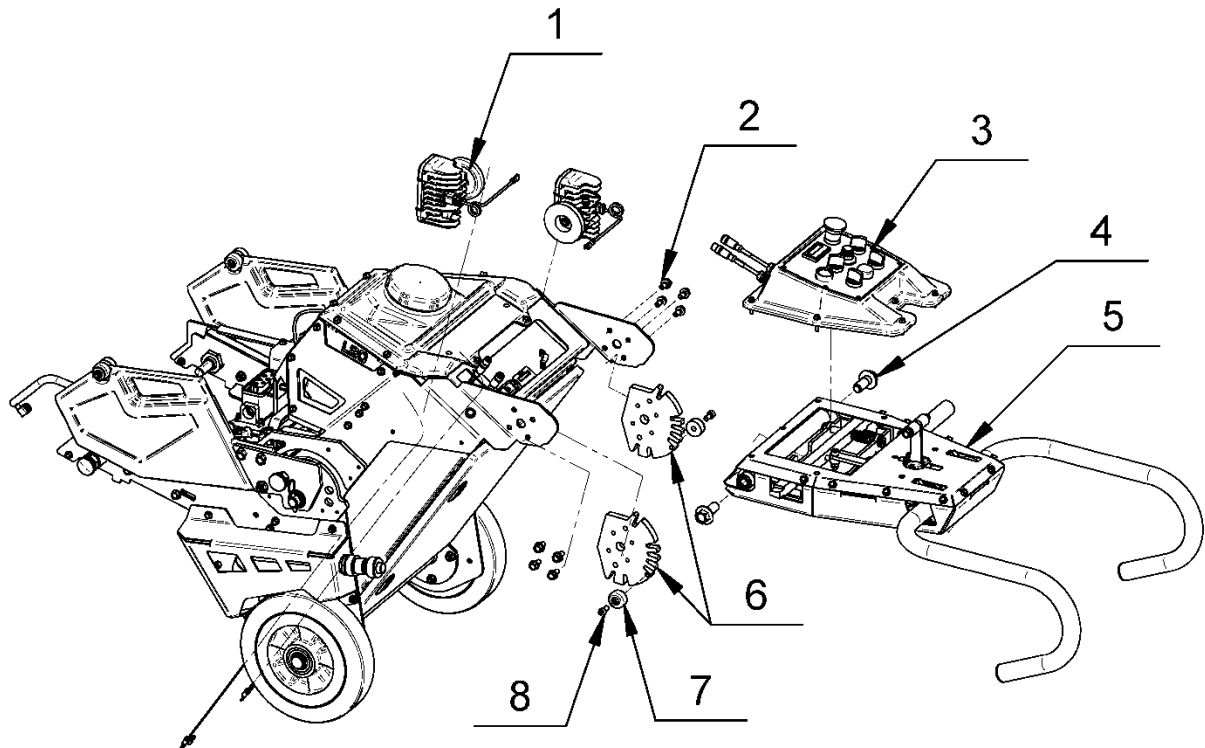
1.8 LAVINA® 20S7; 20ES7; 20OES BOTTOM COVER 4 PARTS				
No.		Item No.	Description	Pcs.
1		L20GS7.10.05.00	Tensioning Support 1	1
	1.1	L20GS7.10.05.03	Stand	1
2		30301240095	Nut M8DIN6923	4
3		L20GS7.10.00.04	Sector	1
4		L20GS7.10.00.03	Sector	1
5		L20GS7.10.13.00	Tensioning Support 2	1
	5.1	30301240099	Nut M10DIN934	2
6		30301240084	Nut M10DIN6923	1
7		30301210031	Bolt M8X20DIN6921	1
8		L20GS7.10.10.02	Shaft	1
9		L20GS7.10.20.00	Deflection Pulley	1
10		30301250000	Retaining Ring	1

### 1.9 BOTTOM COVER 5 PARTS



1.9. LAVINA® 20S7; 20ES7; 20OES BOTTOM COVER 5 PARTS				
No.		Item No.	Description	Pcs.
1		30301250055	Retaining Ring	1
2		L20GS7.12.11.00	Bushing center kit g	1
3		L20GS7.12.20.01	Bushing	1
4		L20GS7.12.12.00	Shaft Assembly	1
	4.1	30301260065	Key	1
5		30301250012	Retaining Ring	1
6		L20GS7.12.13.00	Central Pulley Assembly	1
7		L20GS7.12.10.01	Front Washer	1
8		30301210031	Bolt M8X20DIN6921	1
9		30301210038	Bolt M8X25DIN6921	5
10		30301240095	Nut M8DIN6923	2
11		L20GS7.10.10.00-K	Body Assembly L20GS7	1
12		L20GS7.10.12.00	Balance	1
13		30301210032	Bolt M8X35DIN6921	2

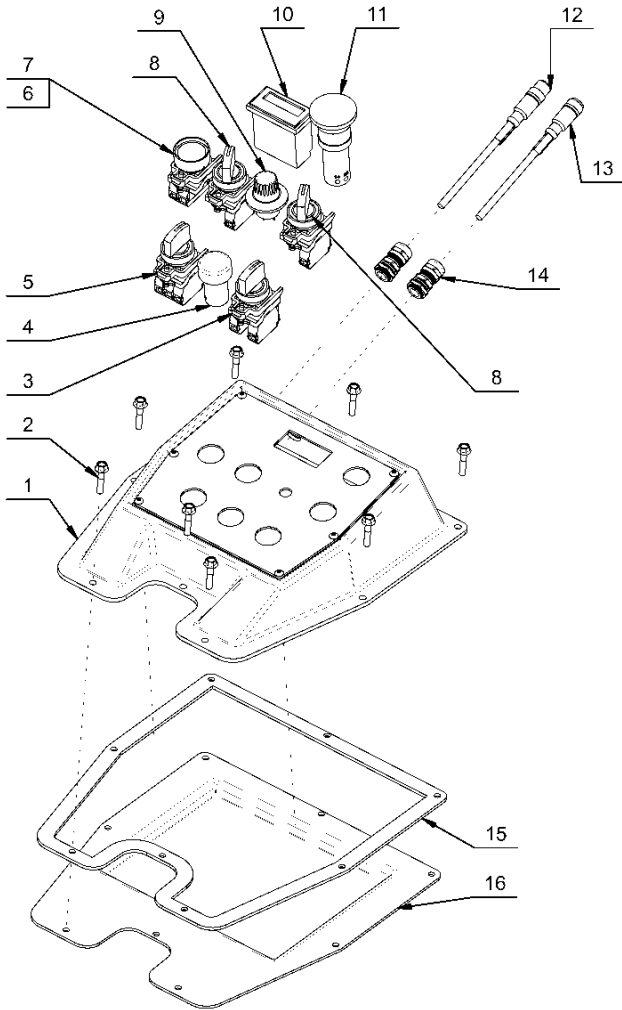
## 1.10. CARRIAGE 1 PARTS



**1.10 LAVINA® 20S7; 20ES7; 20OES  
CARRIAGE 1 PARTS**

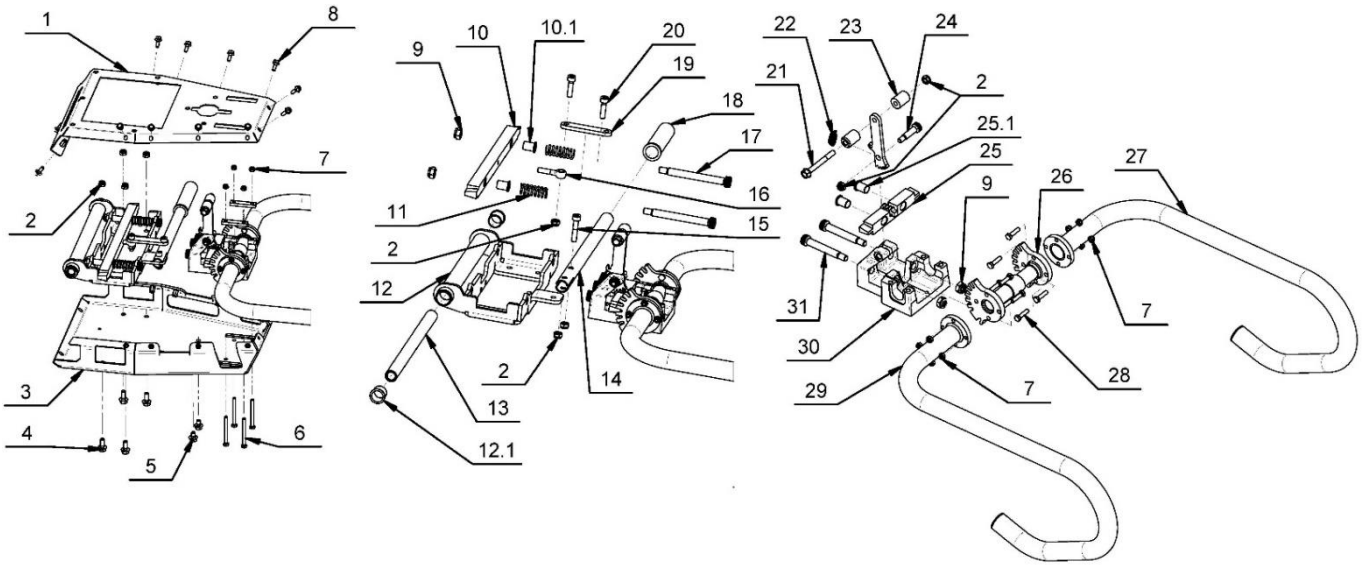
No.	Item No.	Description	Pcs.
1	A110.00.00	LED Light	2
2	30301210072	Bolt M8x16DIN6921	8
3	L30S7.22.00.00	Control Board	1
4	30301210136	Bolt M16X40DIN6921	2
5	L20GS7.23.00.00	Handlebar set	1
6	L20GS7.20.00.06	Locking plate	2
7	30310000012	Buffers	2
8	30301230018	Screw M8X16DIN912	2

### 1.11. CONTROL BOARD



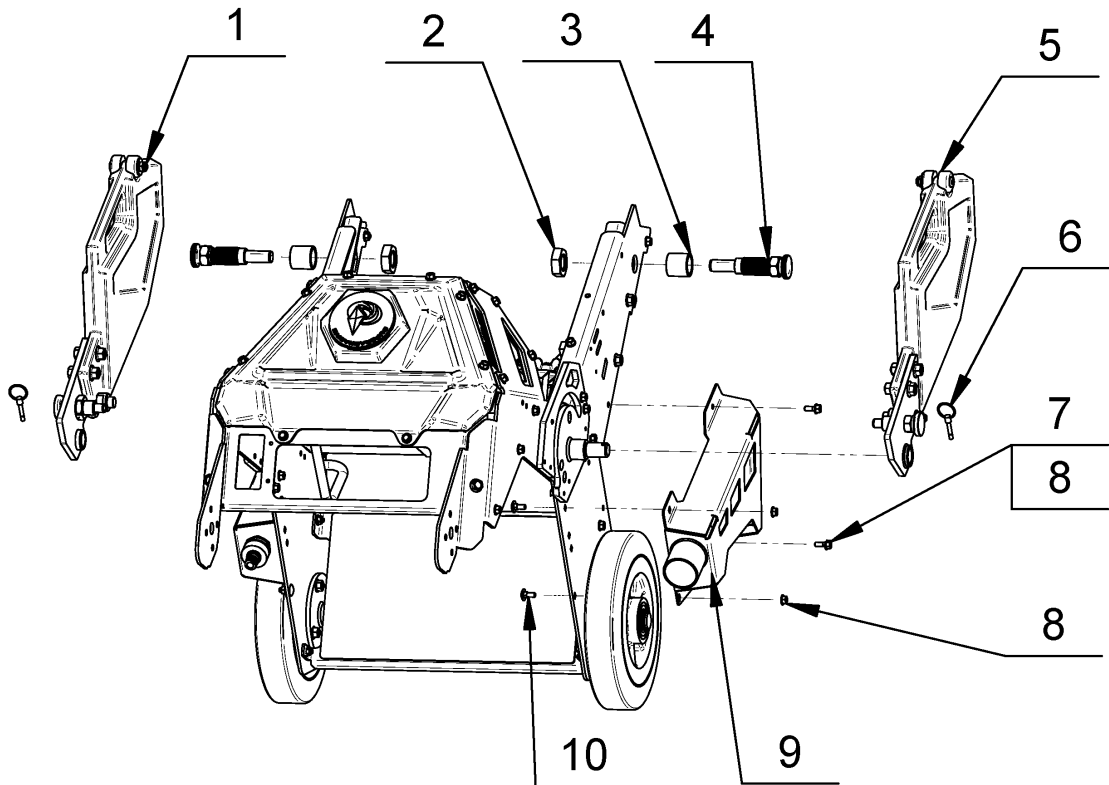
1.11 LAVINA® 20S7; 20ES7; 20OES CONTROL BOARD			
Item No. L30S7.22.00.00			
No.	Item No.	Description	Pcs.
1	L30S7.22.11.00	Top cover assembly	1
2	30301210056	Bolt M5X25DIN6921	8
3	30311000732-K1	Switch	1
4	30311000740	Power glowing Green	1
5	30311000732-K	Switch	1
6	30311000420-K	Button	1
7	30311000750	Cap	1
8	30311000721	Switch	2
9	30311000690	Potentiometer	1
10	30313000150	Tachometer	1
11	30311000717	EMG Button	1
12	L30S7.22.21.00	L30S7 Cable X1 control	1
13	L30S7.22.22.00	L30S7 Cable X2 control	1
14	30311000401	Cable gland M16x1,5	2
15	30302000158	Seal	1
16	30306000059	Bottom cover	1

1.12 HANDLEBAR SET



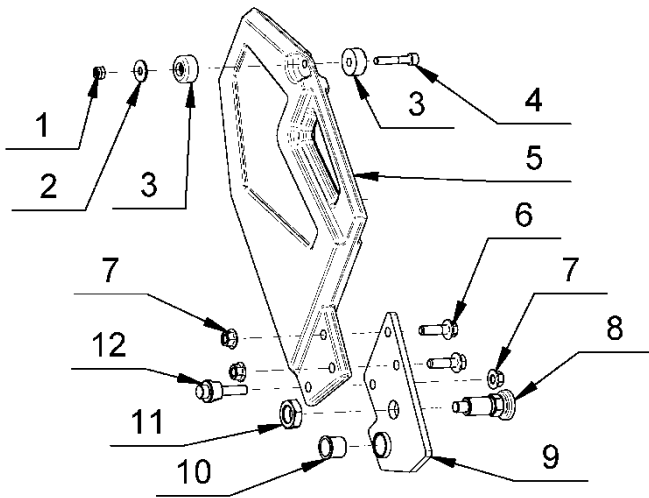
1.12. LAVINA® 20S7; 20ES7; 20OES HANDLEBAR SET									
Item No. L20GS7.23.00.00									
No.		Item No.	Description	Pcs.	No.		Item No.	Description	Pcs.
1		L30GS7.22.50.00	Cover	1	16		30301210104	Bolt M8X40DIN444	1
2		30301240106	Nut M8DIN985	9	17		30301230100	Screw 12X100M10ISO7379	2
3		L30GS7.22.10.00	Body Base	1	18		30329000014	Handle	1
4		30301210031	Bolt M8X20DIN6921	4	19		L30GS7.22.00.02	Plate	1
5		30301210058	Bolt M8X12DIN6921	2	20		30301230032	Screw M8X30DIN912	2
6		30301210085	Bolt M6X65DIN933	4	21		30301210069	Bolt M8X70DIN6921	1
7		30301240103	Nut M6DIN985	12	22		30317000042	Spring	1
8		30301210051	Bolt M6X16DIN6921	12	23		L30GS7.22.30.04	Bushing	2
9		30301240092	Nut M10DIN985	4	24		30301230317	Screw 10X30M8ISO7379	1
10		L30GS7.22.40.00	Locking item	1	25		L30GS7.22.34.00	Locking item	1
	10.1	30303000110	Flange bearing	2		25.1	30303000110	Flange bearing	2
11		30317000041	Spring	2	26		L30GS7.22.31.00	Locking axle	1
12		L30GS7.22.20.00	Body	1	27		L20GS7.22.31.00	Handle right	1
	12.1	30303000103	Flange bearing	2	28		30301210077	Screw M6x25DIN933	8
13		L30GS7.22.00.01	Axle	1	29		L20GS7.22.32.00	Handle left	1
14		L30GS7.22.00.03	Lever	1	30		L30GS7.22.30.01	Base	1
15		30301230155	Screw M8X40DIN912	1	31		30301230318	Screw 12X70M10ISO7379	2

**1.13. CARRIAGE 2 PARTS**



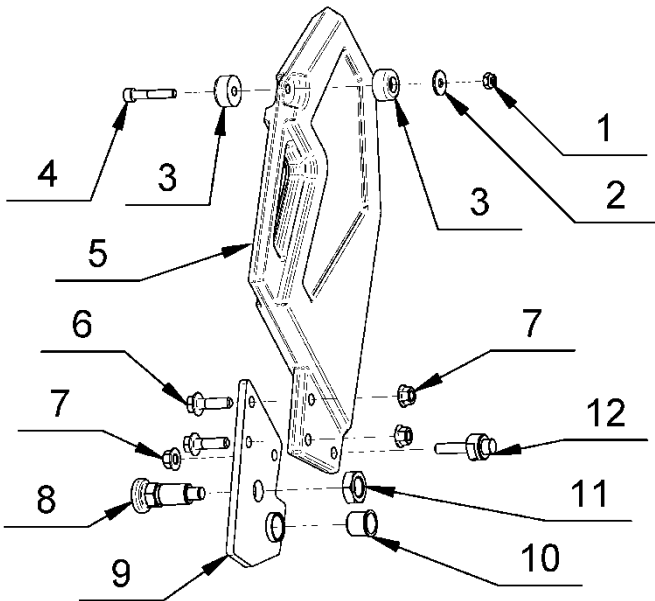
1.13. LAVINA® 20S7; 20ES7; 20OES CARRIAGE 2 PARTS			
No.	Item No.	Description	Pcs.
1	L20GS7.22.00.00	Left Weight	1
2	30301240007	Nut M24X1.5DIN439B	2
3	L20GS7.20.00.05	Bushing	2
4	30329000066	Axle	2
5	L20GS7.21.00.00	Right Weight	1
6	30329000067	Spring Pins	2
7	30301210051	Bolt M6X16DIN6921	2
8	30301240098	Nut M6DIN6923	4
9	L20GS7.20.16.00	Fender right	1
10	30301210013	Screw M6X16DIN603	2

**1.14. RIGHT WEIGHT**



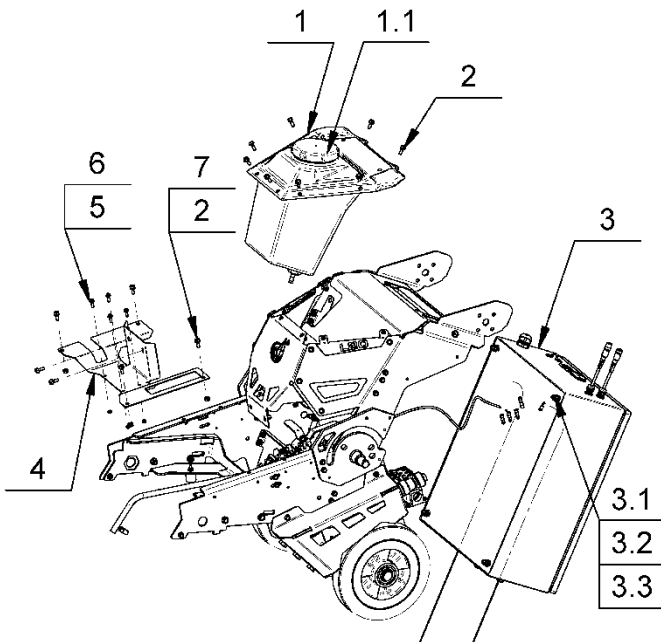
1.14. LAVINA® 20S7; 20ES7; 20OES RIGHT WEIGHT			
Item No. L20GS7.21.00.00			
No.	Item No.	Description	Pcs.
1	30301240106	Nut M8DIN985	1
2	30301221019	Washer M8DIN9021	1
3	30310000012	Rubber Bushing	2
4	30301230112	Screw M8X45DIN 912	1
5	L20GS7.21.00.02	Weight	1
6	30301210021	Bolt M10X35DIN6921	2
7	30301240084	Nut M10DIN6923	3
8	30329000060	Indexing plunger	1
9	L20GS7.21.11.00	Carrier right	1
10	30303000103	Flange bearing	1
11	30301240015	Nut M20X1,5DIN439B	1
12	L20GS7.21.00.01	Bushing	1

**1.15. LEFT WEIGHT**



1.15. LAVINA® 20S7; 20ES7; 20OES LEFT WEIGHT			
Item No. L20GS7.22.00.00			
No.	Item No.	Description	Pcs.
1	30301240106	Nut M8DIN985	1
2	30301221019	Washer M8DIN9021	1
3	30310000012	Rubber Bushing	2
4	30301230112	Screw M8X45DIN 912	1
5	L20GS7.21.00.02	Weight	1
6	30301210021	Bolt M10X35DIN6921	2
7	30301240084	Nut M10DIN6923	3
8	30329000060	Indexing plunger	1
9	L20GS7.22.11.00	Carrier left	1
10	30303000103	Flange bearing	1
11	30301240015	Nut M20X1,5DIN439B	1
12	L20GS7.21.00.01	Bushing	1

**1.16. CARRIAGE 3 PARTS**

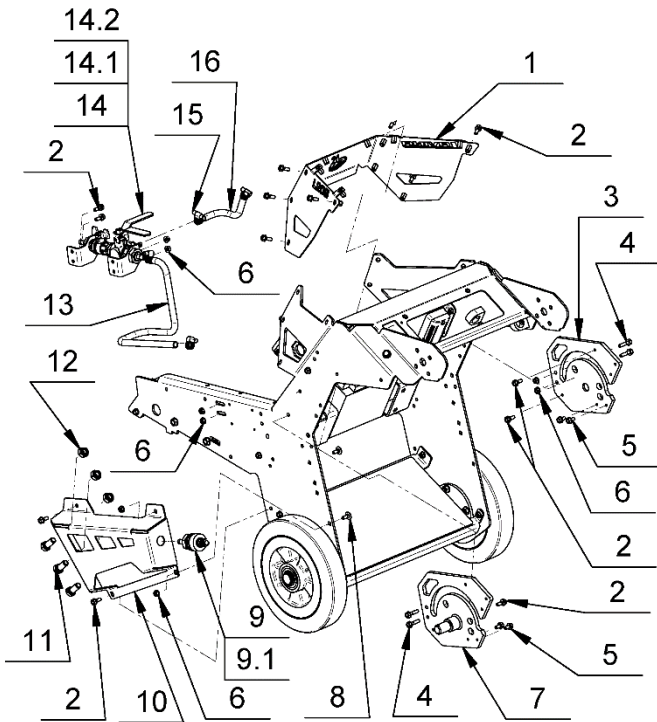


<b>1.16.1. LAVINA® 20S7 CARRIAGE 3 PARTS</b>				
No.	Item No.	Description	Pcs.	
1	L20GS7.24.00.00	Tank Assembly	1	
	1.1	L20GS7.24.11.00	Cover	1
2	30301210051	Bolt M6X16DIN6921	14	
3	L20S7.21.00.00	Control Box	1	
	3.1	30301230087	Screw M8X20DIN912	4
	3.2	30301221004	Washer M8DIN125A	4
	3.3	30301240106	Nut M8DIN985	4
4	L20S7.20.20.01	Plate	1	
5	30301210110	Bolt M5X16DIN6921	4	
6	30301240090	Nut M5DIN985	4	

<b>1.16.2. LAVINA® 20OES7 CARRIAGE 3 PARTS</b>				
No.	Item No.	Description	Pcs.	
1	L20GS7.24.00.00	Tank Assembly	1	
	1.1	L20GS7.24.11.00	Cover	1
2	30301210051	Bolt M6X16DIN6921	14	
3	L20OES7.21.00.00	Control Box	1	
	3.1	30301230087	Screw M8X20DIN912	4
	3.2	30301221004	Washer M8DIN125A	4
	3.3	30301240106	Nut M8DIN985	4
4	L20S7.20.20.01	Plate	1	
5	30301210110	Bolt M5X16DIN6921	4	
6	30301240090	Nut M5DIN985	4	

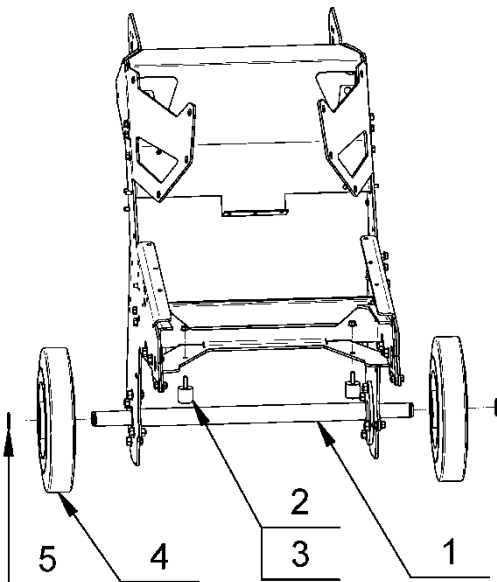
<b>1.16.3. LAVINA® 20ES7 CARRIAGE 3 PARTS</b>				
No.	Item No.	Description	Pcs.	
1	L20GS7.24.00.00	Tank Assembly	1	
	1.1	L20GS7.24.11.00	Cover	1
2	30301210051	Bolt M6X16DIN6921	14	
3	L20ES7.21.00.00	Control Box	1	
	3.1	30301230087	Screw M8X20DIN912	4
	3.2	30301221004	Washer M8DIN125A	4
	3.3	30301240106	Nut M8DIN985	4
4	L20S7.20.20.01	Plate	1	
5	30301210110	Bolt M5X16DIN6921	4	
6	30301240090	Nut M5DIN985	4	

**1.17. CARRIAGE 4 PARTS**



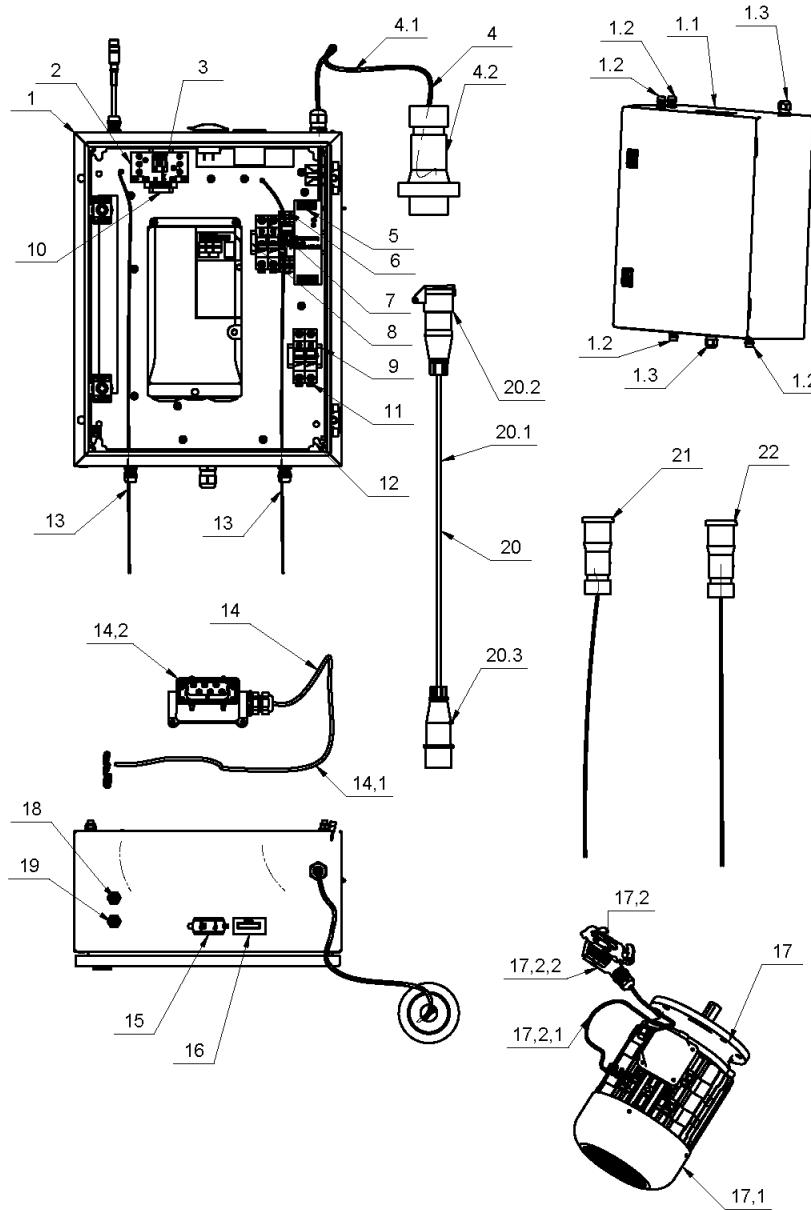
1.17. LAVINA® 20S7; 20ES7; 20OES CARRIAGE 4 PARTS				
No.	Item No.	Description	Pcs.	
1	L20S7.20.10.00	Console set	1	
2	30301210051	Bolt M6X16DIN6921	9	
3	L20GS7.20.12.00	Right axis	1	
4	30301210107	Bolt M6X25DIN6921	4	
5	30301210048	Bolt M6X12DIN6921	4	
6	30301240098	Nut M6DIN6923	8	
7	L20GS7.20.13.00	Left axis	1	
8	30301210013	Screw M6X16DIN603	2	
9	L20GS7.20.17.00	Water Valve assembly	1	
	9.1	30301240015	Nut M20X1.5DIN439B	1
10	L20GS7.20.00.03	Fender left	1	
11	30301210071	Screw M12X30DIN933	3	
12	30301240111	Nut M12DIN985	3	
13	L20GS7.20.00.08	PE Tube	1	
14	L20GS7.20.18.00	Water Valve assembly	1	
	14.1	L20GS7.20.18.01	Plate	2
	14.2	30301240015	Nut M20X1.5DIN439B	2
15	30308000402	Hose clamp	4	
16	L20GS7.20.00.07	PE Tube	1	

**1.18. CARRIAGE 5 PARTS**



1.18 LAVINA® 20S7; 20ES7; 20OES CARRIAGE 5 PARTS				
No.	Item No.	Description	Pcs.	
1	L20S7.20.00.00	Frame-K	1	
2	30310000006	Buffer	2	
3	30301240098	Nut M6DIN6923	2	
4	30312000004	Wheel	2	
5	30301250036	Retaining Ring	2	

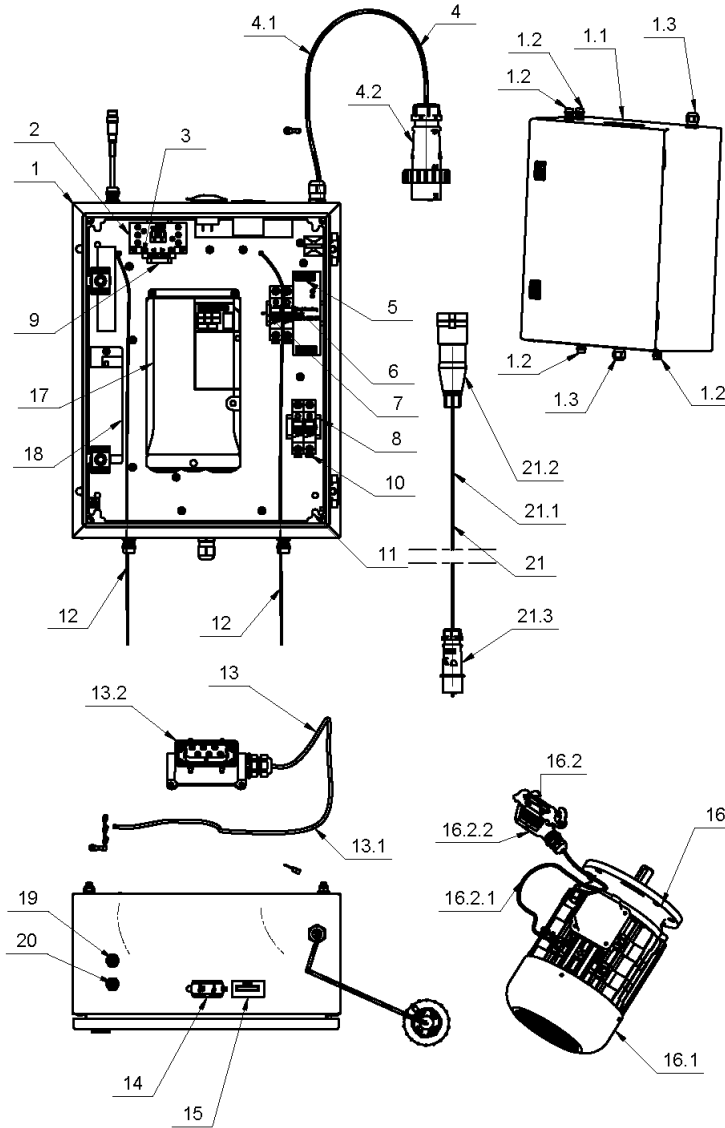
1.19. LAVINA® 20S7 CONTROL BOX



LAVINA® 20S7 CONTROL BOX

No.	Item No.	Description	Pcs.	No.	Item No.	Description	Pcs.
1	L20S7.21.10.00	Metal box assembly	1	14	L20S7.21.50.00	Cable with connector	1
1.1	L20S7.21.10.01	Metal box(only)	1	14.1	L20S7.21.50.10	Cable	1
1.2	30311000401	Cable gland M16x1.5	4	14.2	L25E25.42.00	Connector	1
1.3	30311000403	Cable gland M20x1.5	1	15	30313000173	USB charger	1
2	30311000189	Contactor	1	16	30313000153	Hour meter	1
3	30311000122	End clamp	1	17	A120.00.00.00	Electric motor assembly	1
4	L20S7.21.40.00	Cable with connector	1	17.1	S-203-3	Electric motor	1
4.1	L20S7.21.40.10	Cable	1	17.2	A120.10.00.00	Cable with conecor	1
4.2	30311000063	Connector	1	17.2.1	A120.10.10.00	Cable	1
5	30313000190	Power supply	1	17.2.2	L32SHV-30.20.11	Conecor	1
6	30311000191	Control relay	1	18	L20E25.54.00	Cable X2	1
7	30311000600	Circuit breaker 4A 1P	2	19	L20S7.21.30.30	Cable X1	1
8	L20S7.21.20.03	Rail L=110 H=7,5	1	20	L20NS-30.02.00	Cable with connector	1
9	L20S7.21.20.02	Rail L=65 H=7,5	1	20.1	L20NS-30.02.02	Cable	1
10	L16EU21.12.02	Rail L=50 H=7,5	1	20.2	L20NS-30.02.02	Connector	1
11	30311000612	Circuit breaker 2A 1P	2	20.3	30311000045	Connector	1
12	L20S7.21.20.01	Metal plate (only)	1	21	L20NS-30.03.00	Pigtail 3 Phase	1
13	L30S7.21.40.00	Cable for front lamp left	2	22	L20NS-30.01.00	Pigtail 1 Phase	1

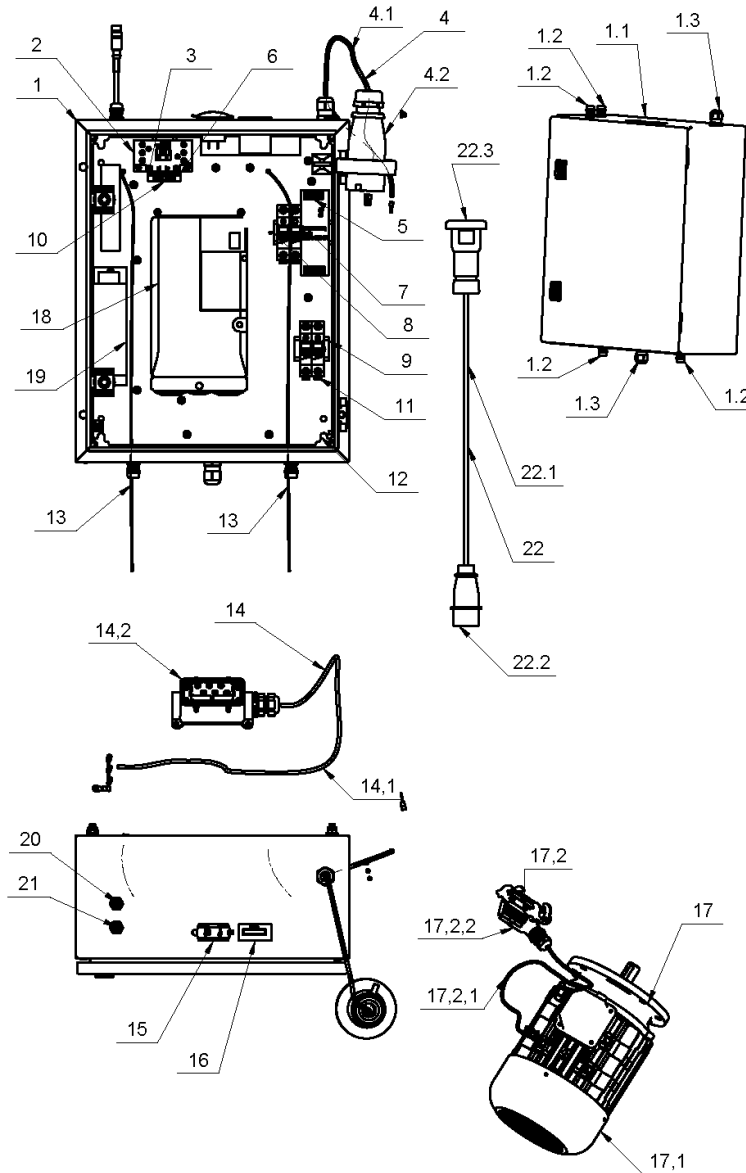
**1.20. LAVINA® 200ES7 CONTROL BOX**



**LAVINA® 200ES7 CONTROL BOX**

No.	Item No.	Description	Pcs.	No.	Item No.	Description	Pcs.
1	L20S7.21.10.00	Metal box assembly	1	13.1	L20ES7.21.50.10	Cable	1
1.1	L20S7.21.10.01	Metal box(only)	1	13.2	L25E25.42.00	Connector	1
1.2	30311000401	Cable gland M16x1.5	4	14	30313000173	USB charger	1
1.3	30311000403	Cable gland M20x1.5	1	15	30313000153	Hour meter	1
2	30311000190	Contactor	1	16	A123.00.00.00	Electric motor assembly	1
3	30311000122	End clamp	1	16.1	S-203-3	Electric motor	1
4	L200ES7.21.30.00	Cable with connector	1	16.2	A123.10.00.00	Cable with conenector	1
4.1	L200ES7.21.30.10	Cable	1	16.2.1	A123.10.10.00	Cable	1
4.2	30311000193	Connector	1	16.2.2	L32SHV-30.20.11	Conenector	1
5	30313000190	Power supply	1	17	30313000101	Invertor	1
6	30311000600	Circuit breaker 4A 1P	2	18	30323000101	Filter	1
7	L32EHV25.20.03	Rail L=85 H=7,5	1	19	L20E25.54.00	Cable X2	1
8	L16EU21.12.02	Rail L=50 H=7,5	1	20	L20S7.21.30.30	Cable X1	1
9	L20S7.21.20.02	Rail L=65 H=7,5	1	21	L20XE30.02.00	Cable with connector	1
10	30311000612	Circuit breaker 2A 1P	2	21.1	L20S30.02.02	Cable	1
11	L20S7.21.20.01	Metal plate (only)	1	21.2	30311000040	Connector	1
12	L30S7.21.40.00	Cable for front lamp left	2	21.3	30311000145	Connector	1
13	L20ES7.21.50.00	Cable with connector	1				

1.21. LAVINA® 20ES7 CONTROL BOX



LAVINA® 20ES7 CONTROL BOX							
No.	Item No.	Description	Pcs.	No.	Item No.	Description	Pcs.
1	L20S7.21.10.00	Metal box assembly	1	14	L20ES7.21.50.00	Cable with connector	1
1.1	L20S7.21.10.01	Metal box(only)	1	14.1	L20ES7.21.50.10	Cable	1
1.2	30311000401	Cable gland M16x1.5	4	14.2	L25E25.42.00	Connector	1
1.3	30311000403	Cable gland M20x1.5	1	15	30313000173	USB charger	1
2	30311000190	Contactora	1	16	30313000153	Hour meter	1
3	30311000122	End clamp	1	17	A123.00.00.00	Electric motor assembly	1
4	L20ES7.21.40.00	Cable with connector	1	17.1	S-203-3	Electric motor	1
4.1	L20ES7.21.40.10	Cable	1	17.2	A123.10.00.00	Cable with conenector	1
4.2	30311000192	Connector	1	17.2.1	A123.10.10.00	Cable	1
5	30313000190	Power supply	1	17.2.2	L32SHV-30.20.11	Conenector	1
6	30311000118	Terminal	1	18	30313000110	Invertor	1
7	30311000600	Circuit breaker 4A 1P	2	19	30323000102	Filter	1
8	L32EHV25.20.03	Rail L=85 H=7,5	1	20	L20E25.54.00	Cable X2	1
9	L16EU21.12.02	Rail L=50 H=7,5	1	21	L20S7.21.30.30	Cable X1	1
10	L20S7.21.20.02	Rail L=65 H=7,5	1	22	L20NEU30.00.00	Cable with connector	1
11	30311000612	Circuit breaker 2A 1P	2	22.1	L20NEU30.10.00	Cable	1
12	L20S7.21.20.01	Metal plate (only)	1	22.2	30311000147	Connector	1
13	L30S7.21.40.00	Cable for front lamp left	2	22.3	30311000050	Connector	1