

LAVINA®

SERIES

7



by

SUPERABRASIVE



SPARE PARTS

LAVINA®

L25GS7

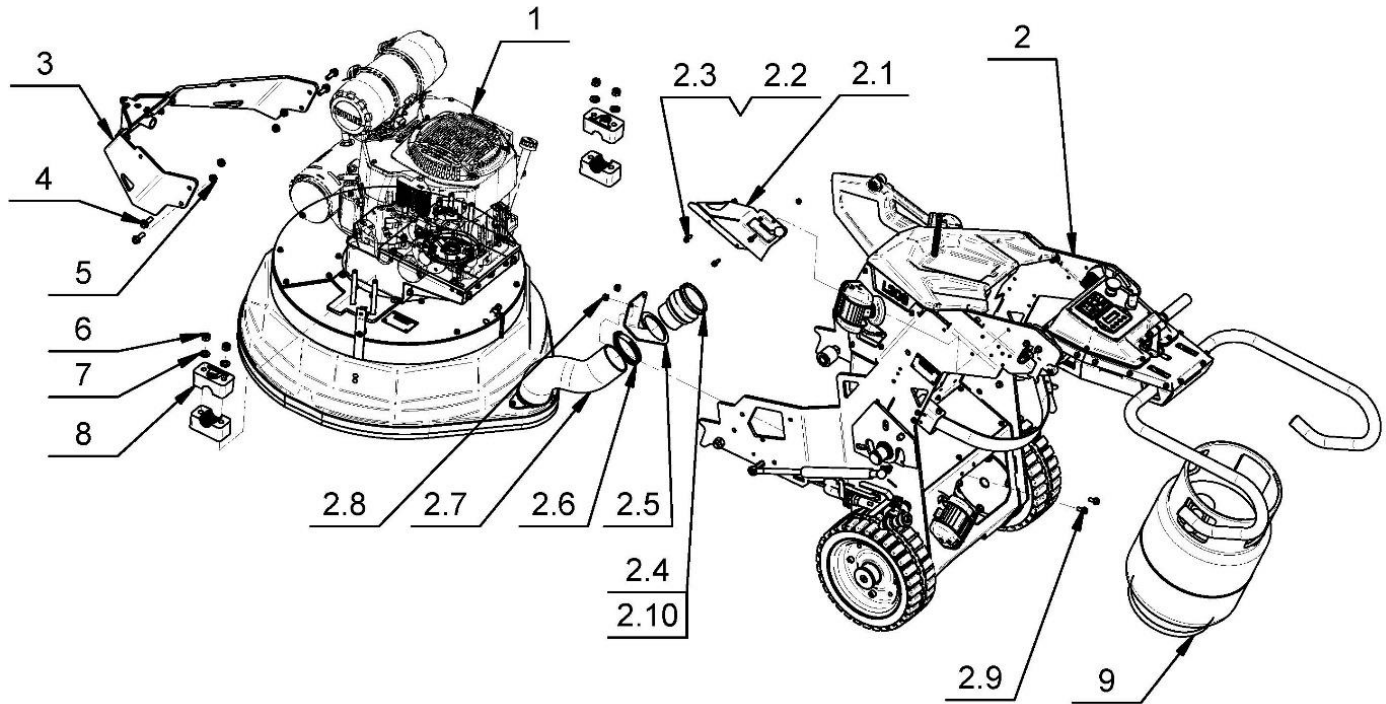
L25GKS7

L30GS7

L30GKS7

L31GS7

1.1 GENERAL PARTS



1.1.1 LAVINA® 30GKS7 General parts				
No.	Item No.	Description	Pcs.	
1	L30GKS7.10.00.00-1	Main Head	1	
2	L30GKS7.20.00.00-1	Carriage	1	
	2.1	L30GS7.20.90.00	Control Board With throttle cable	1
	2.2	30301210117	Bolt M6x20DIN6921	3
	2.3	30301240098	Nut M6DIN6923	3
	2.4	L30GS7.20.00.06	Camlock Fitting	1
	2.5	L30GS7.20.00.09	Carrier for Camlock	1
	2.6	30308000409	Clamp 70_90DIN3017	2
	2.7	L30GS7.20.00.15	Soft Vacuum Hose	1
	2.8	30301240095	Nut M8DIN6923	2
	2.9	30301210031	Bolt M8x20DIN6921	2
3	L30GS7.30.00.00	Front bumper set	1	
4	30301210119	Bolt M10x30DIN6921	4	
5	30301240092	Nut M10DIN985	4	
6	30301240111	Nut M12DIN985	4	
7	30301221006	WasherM12DIN125A	4	
8	L30GS7.00.00.02	Head carrier	4	
9	30313000318	Propane Tank	1	

1.1.2 LAVINA® 30GS7 General parts				
No.	Item No.	Description	Pcs.	
1	L30GS7.10.00.00-1	Main Head	1	
2	L30GS7.20.00.00-1	Carriage	1	
	2.1	L30GS7.20.90.00	Control Board With throttle cable	1
	2.2	30301210117	Bolt M6x20DIN6921	3
	2.3	30301240098	Nut M6DIN6923	3
	2.4	L30GS7.20.00.06	Camlock Fitting	1
	2.5	L30GS7.20.00.09	Carrier for Camlock	1
	2.6	30308000409	Clamp 70_90DIN3017	2
	2.7	L30GS7.20.00.15	Soft Vacuum Hose	1
	2.8	30301240095	Nut M8DIN6923	2
	2.9	30301210031	Bolt M8x20DIN6921	2
3	L30GS7.30.00.00	Front bumper set	1	
4	30301210119	Bolt M10x30DIN6921	4	
5	30301240092	Nut M10DIN985	4	
6	30301240111	Nut M12DIN985	4	
7	30301221006	WasherM12DIN125A	4	
8	L30GS7.00.00.02	Head carrier	4	
9	30313000318	Propane Tank	1	

1.1.3 LAVINA® 25GKS7 General parts				
No.	Item No.	Description	Pcs.	
1	L25GKS7.10.00.00-1	Main Head	1	
2	L25GKS7.20.00.00-1	Carriage	1	
	2.1	L30GS7.20.90.00	Control Board With throttle cable	1
	2.2	30301210117	Bolt M6x20DIN6921	3
	2.3	30301240098	Nut M6DIN6923	3
	2.4	L25GS7.20.00.06	Camlock Fitting	1
	2.5	L25GS7.20.00.09	Carrier for Camlock	1
	2.6	30308000409	Clamp 70_90DIN3017	2
	2.7	L30GS7.20.00.15	Soft Vacuum Hose	1
	2.8	30301240095	Nut M8DIN6923	2
	2.9	30301210031	Bolt M8x20DIN6921	2
	2.10	L25GS7.20.00.01	Conversion	1
3	L30GS7.30.00.00	Front bumper set	1	
4	30301210119	Bolt M10x30DIN6921	4	
5	30301240092	Nut M10DIN985	4	
6	30301240111	Nut M12DIN985	4	
7	30301221006	WasherM12DIN125A	4	
8	L30GS7.00.00.02	Head carrier	4	
9	30313000318	Propane Tank	1	

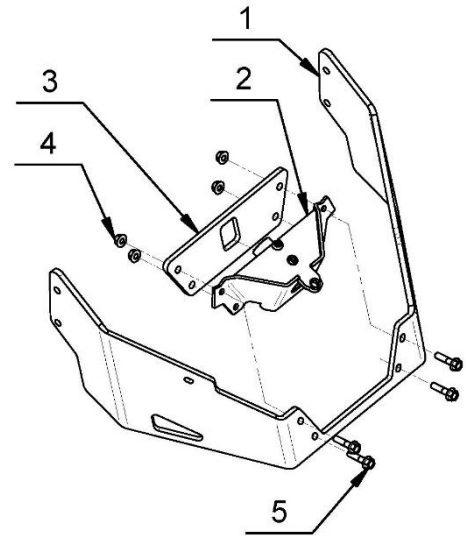
1.1.4 LAVINA® 25GS7 General parts				
No.	Item No.	Description	Pcs.	
1	L25GS7.10.00.00-1	Main Head	1	
2	L25GS7.20.00.00-1	Carriage	1	
	2.1	L30GS7.20.90.00	Control Board With throttle cable	1
	2.2	30301210117	Bolt M6x20DIN6921	3
	2.3	30301240098	Nut M6DIN6923	3
	2.4	L25GS7.20.00.06	Camlock Fitting	1
	2.5	L25GS7.20.00.09	Carrier for Camlock	1
	2.6	30308000409	Clamp 70_90DIN3017	2
	2.7	L30GS7.20.00.15	Soft Vacuum Hose	1
	2.8	30301240095	Nut M8DIN6923	2
	2.9	30301210031	Bolt M8x20DIN6921	2
	2.10	L25GS7.20.00.01	Conversion	1
3	L30GS7.30.00.00	Front bumper set	1	
4	30301210119	Bolt M10x30DIN6921	4	
5	30301240092	Nut M10DIN985	4	
6	30301240111	Nut M12DIN985	4	
7	30301221006	WasherM12DIN125A	4	
8	L30GS7.00.00.02	Head carrier	4	
9	30313000318	Propane Tank	1	

1.1.5 LAVINA® 31GS7 General parts				
No.	Item No.	Description	Pcs.	
1	L31GS7.10.00.00	Main Head	1	
2	L31GS7.20.00.00	Carriage	1	
	2.1	L30GS7.20.90.00	Control Board With throttle cable	1
	2.2	30301210117	Bolt M6x20DIN6921	3
	2.3	30301240098	Nut M6DIN6923	3
	2.4	L25GS7.20.00.06	Camlock Fitting	1
	2.5	L25GS7.20.00.09	Carrier for Camlock	1
	2.6	30308000409	Clamp 70_90DIN3017	2
	2.7	L30GS7.20.00.15	Soft Vacuum Hose	1
	2.8	30301240095	Nut M8DIN6923	2
	2.9	30301210031	Bolt M8x20DIN6921	2
	2.10	L25GS7.20.00.01	Conversion	1
3	L30GS7.30.00.00	Front bumper set	1	
4	30301210119	Bolt M10x30DIN6921	4	
5	30301240092	Nut M10DIN985	4	
6	30301240111	Nut M12DIN985	4	
7	30301221006	WasherM12DIN125A	4	
8	L30GS7.00.00.02	Head carrier	4	
9	30313000318	Propane Tank	1	

- When requesting Item 3, it is recommended to request Item 4 and Item 5
- When requesting Item 2.1, it is recommended to request Item 2.2 and Item 2.3

1.2 FRONT BUMPER SET

1.2 LAVINA® 31GS7; 30GKS7; 30GS7; 31GS7; 25GKS7; 25GS7 Front Bumper set			
Item No. L30GS7.30.00.00			
No.	Item No.	Description	Pcs.
1	L30GS7.30.00.01	Front Bumper	1
2	L30GS7.30.10.00	Third wheel base	1
3	L30GS7.30.00.02	Plate	1
4	30301240095	Nut M8DIN6923	4
5	30301210032	Bolt M8X35DIN6921	4

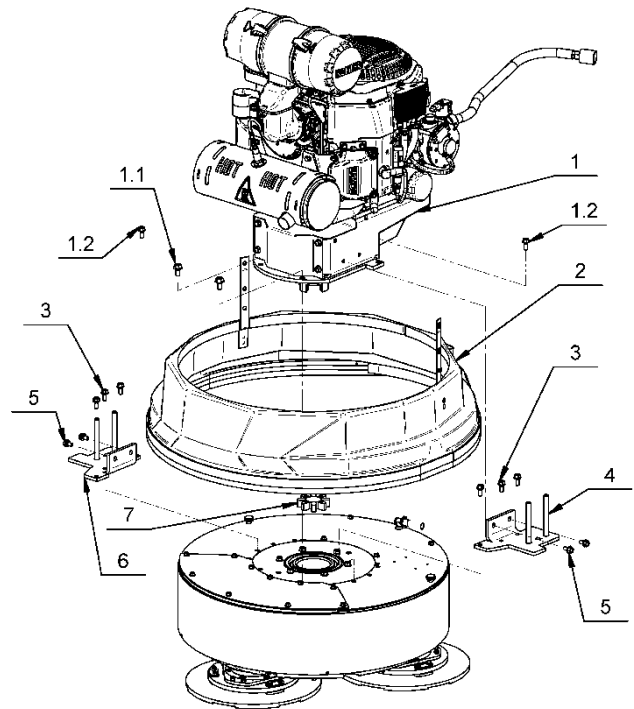


1.3 ENGINE BASE PARTS

1.3.1 LAVINA® 30GKS7 ENGINE BASE PARTS				
No.	Item No.	Description	Pcs.	
1	L30GKS7.13.00.00-1	Engine drive kit	1	
	1.1	30301210033	Bolt M10X20DIN6921	2
	1.2	30301210031	Bolt M8X20DIN6921	2
2	L30GS7.10.70.00	Guard Assembly	1	
3	30301210031	Bolt M8X20DIN6921	6	
4	L30GS7.10.06.00	Left Fork	1	
5	30301210072	Bolt M8X16DIN6921	4	
6	L30GS7.10.05.00	Right Fork	1	
7	30331000010	Elastic element	1	

1.3.2 LAVINA® 30GS7 ENGINE BASE PARTS				
No.	Item No.	Description	Pcs.	
1	L30GS7.13.00.00-1	Engine drive kit	1	
	1.1	30301210033	Bolt M10X20DIN6921	2
	1.2	30301210031	Bolt M8X20DIN6921	2
2	L30GS7.10.70.00	Guard Assembly	1	
3	30301210031	Bolt M8X20DIN6921	6	
4	L30GS7.10.06.00	Left Fork	1	
5	30301210072	Bolt M8X16DIN6921	4	
6	L30GS7.10.05.00	Right Fork	1	
7	30331000010	Elastic element	1	

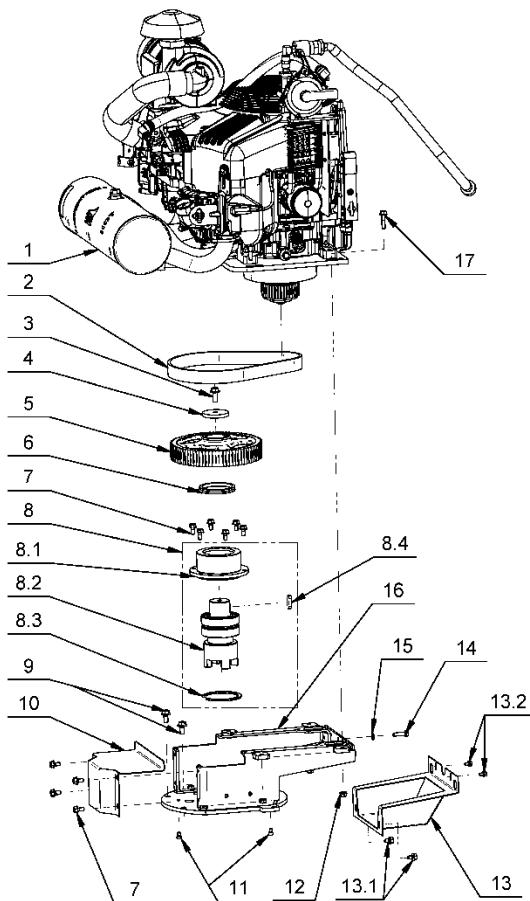
1.3.3 LAVINA® 25GKS7 ENGINE BASE PARTS				
No.	Item No.	Description	Pcs.	
1	L25GKS7.13.00.00-1	Engine drive kit	1	
	1.1	30301210033	Bolt M10X20DIN6921	2
	1.2	30301210031	Bolt M8X20DIN6921	2
2	L25GS7.10.70.00	Guard Assembly	1	
3	30301210031	Bolt M8X20DIN6921	6	
4	L30GS7.10.06.00	Left Fork	1	
5	30301210072	Bolt M8X16DIN6921	4	
6	L30GS7.10.05.00	Right Fork	1	
7	30331000010	Elastic element	1	



1.3.4 LAVINA® 25GS7 ENGINE BASE PARTS				
No.	Item No.	Description	Pcs.	
1	L25GS7.13.00.00-1	Engine drive kit	1	
	1.1	30301210033	Bolt M10X20DIN6921	2
	1.2	30301210031	Bolt M8X20DIN6921	2
2	L25GS7.10.70.00	Guard Assembly	1	
3	30301210031	Bolt M8X20DIN6921	6	
4	L30GS7.10.06.00	Left Fork	1	
5	30301210072	Bolt M8X16DIN6921	4	
6	L30GS7.10.05.00	Right Fork	1	
7	30331000010	Elastic element	1	

1.3.5 LAVINA® 31GS7 ENGINE BASE PARTS				
No.	Item No.	Description	Pcs.	
1	L31GS7.13.00.00	Engine drive kit	1	
	1.1	30301210033	Bolt M10X20DIN6921	2
	1.2	30301210031	Bolt M8X20DIN6921	2
2	L30GS7.10.70.00	Guard Assembly	1	
3	30301210031	Bolt M8X20DIN6921	6	
4	L31GS7.10.06.00	Left Fork	1	
5	30301210072	Bolt M8X16DIN6921	4	
6	L31GS7.10.05.00	Right Fork	1	
7	30331000010	Elastic element	1	

1.4 ENGINE DRIVE KIT



1.4.1 LAVINA® 31GS7 ENGINE DRIVE KIT				
Item No. L31GS7.13.00.00				
No.	Item No.	Description	Pcs.	
1	L31GS7.13.10.00	Engine kit Vanguard	1	
2	30308000099	Timing Belt	1	
3	30301210096	Bolt M10X25DIN6921	1	
4	L30GS7.10.00.21	Front Washer	1	
5	L30GRS7.13.00.01	Pulley Unit	1	
6	30302000004	V-Ring Type A	1	
7	30301210072	Bolt M8X16DIN6921	10	
8	L30GS7.13.20.00	Shaft Assembly	1	
	8.1	L30GS7.13.30.02	Bushing	1
	8.2	L30GS7.13.20.00-K	Shaft Set	1
	8.3	30301250045	Retaining Ring	1
	8.4	30301260091	Key	1
9	30301210033	Bolt M10X20DIN6921	2	
10	L30GS7.10.00.15	Front Guard	1	
11	30301230289	Screw M6X10DIN912	2	
12	30301240095	Nut M8DIN6923	4	
13	L30GVRS7.13.01.00	Back Guard	1	
	13.1	30301210058	Bolt M8X12DIN6921	2
	13.2	30301210043	Bolt M6X10DIN6921	2
14	30301210001	Screw M8X30DIN933	1	
15	30301221004	Washer M8DIN125	1	
16	L30GVRS7.13.30.00	Engine frame	1	
17	30301210032	Bolt M8X35DIN6921	4	

1.4.2 LAVINA® 30GS7 ENGINE DRIVE KIT				
Item No. L30GS7.13.00.00-1				
No.	Item No.	Description	Pcs.	
1	L30GS7.13.10.00	Engine kit	1	
2	30308000145	Timing Belt	1	
3	30301210096	Bolt M10X25DIN6921	1	
4	L30GS7.10.00.21	Front Washer	1	
5	L30GS7.10.00.03	Pulley	1	
6	30302000004	V-Ring Type A	1	
7	30301210072	Bolt M8X16DIN6921	10	
8	L30GS7.13.20.00	Shaft Assembly	1	
	8.1	L30GS7.13.30.02	Bushing	1
	8.2	L30GS7.13.20.00-K	Shaft Set	1
	8.3	30301250045	Retaining Ring	1
	8.4	30301260091	Key	1
9	30301210033	Bolt M10X20DIN6921	2	
10	L30GS7.10.00.15	Front Guard	1	
11	30301230289	Screw M6X10DIN912	2	
12	---	---	---	
13	L30GVRS7.13.01.00	Back Guard	1	
	13.1	30301210058	Bolt M8X12DIN6921	2
	13.2	30301210043	Bolt M6X10DIN6921	2
14	30301210004	Screw M8X40DIN933	1	
15	30301221004	Washer M8DIN125	1	
16	L30GVRS7.13.30.00	Engine frame	1	
17	30301210031	Bolt M8X20DIN6921	4	

1.4.3 LAVINA® 30GKS7 ENGINE DRIVE KIT				
Item No. L30GKS7.13.00.00-1				
No.	Item No.	Description	Pcs.	
1	L30GKS7.13.10.00	Engine kit Kohler	1	
2	30308000145	Timing Belt	1	
3	30301210096	Bolt M10X25DIN6921	1	
4	L30GS7.10.00.21	Front Washer	1	
5	L30GS7.10.00.03	Pulley	1	
6	30302000004	V-Ring Type A	1	
7	30301210072	Bolt M8X16DIN6921	10	
8	L30GS7.13.20.00	Shaft Assembly	1	
	8.1	L30GS7.13.30.02	Bushing	1
	8.2	L30GS7.13.20.00-K	Shaft Set	1
	8.3	30301250045	Retaining Ring	1
	8.4	30301260091	Key	1
9	30301210033	Bolt M10X20DIN6921	2	
10	L30GS7.10.00.15	Front Guard	1	
11	30301230289	Screw M6X10DIN912	2	
12	---	---	---	
13	L30GVRS7.13.01.00	Back Guard	1	
	13.1	30301210058	Bolt M8X12DIN6921	2
	13.2	30301210043	Bolt M6X10DIN6921	2
14	30301210004	Screw M8X40DIN933	1	
15	30301221004	Washer M8DIN125	1	
16	L30GVRS7.13.30.00	Engine frame	1	
17	30301210031	Bolt M8X20DIN6921	4	

1.4.4 LAVINA® 25GS7 ENGINE DRIVE KIT				
Item No. L25GS7.13.00.00-1				
No.	Item No.	Description	Pcs.	
1	L30GS7.13.10.00	Engine kit	1	
2	30308000159	Timing Belt	1	
3	30301210096	Bolt M10X25DIN6921	1	
4	L30GS7.10.00.21	Front Washer	1	
5	L25GS7.10.00.01	Pulley	1	
6	30302000004	V-Ring Type A	1	
7	30301210072	Bolt M8X16DIN6921	10	
8	L30GS7.13.20.00	Shaft Assembly	1	
	8.1	L30GS7.13.30.02	Bushing	1
	8.2	L30GS7.13.20.00-K	Shaft Set	1
	8.3	30301250045	Retaining Ring	1
	8.4	30301260091	Key	1
9	30301210033	Bolt M10X20DIN6921	2	
10	L30GS7.10.00.15	Front Guard	1	
11	30301230289	Screw M6X10DIN912	2	
12	---	---	---	
13	L30GVRS7.13.01.00	Back Guard	1	
	13.1	30301210058	Bolt M8X12DIN6921	2
	13.2	30301210043	Bolt M6X10DIN6921	2
14	30301210004	Screw M8X40DIN933	1	
15	30301221004	Washer M8DIN125	1	
16	L30GVRS7.13.30.00	Engine frame	1	
17	30301210031	Bolt M8X20DIN6921	4	

1.4.5 LAVINA® 25GKS7 ENGINE DRIVE KIT				
Item No. L25GKS7.13.00.00-1				
No.	Item No.	Description	Pcs.	
1	L30GKS7.13.10.00	Engine kit Kohler	1	
2	30308000159	Timing Belt	1	
3	30301210096	Bolt M10X25DIN6921	1	
4	L30GS7.10.00.21	Front Washer	1	
5	L25GS7.10.00.01	Pulley	1	
6	30302000004	V-Ring Type A	1	
7	30301210072	Bolt M8X16DIN6921	10	
8	L30GS7.13.20.00	Shaft Assembly	1	
	8.1	L30GS7.13.30.02	Bushing	1
	8.2	L30GS7.13.20.00-K	Shaft Set	1
	8.3	30301250045	Retaining Ring	1
	8.4	30301260091	Key	1
9	30301210033	Bolt M10X20DIN6921	2	
10	L30GS7.10.00.15	Front Guard	1	
11	30301230289	Screw M6X10DIN912	2	
12	---	---	---	
13	L30GVRS7.13.01.00	Back Guard	1	
	13.1	30301210058	Bolt M8X12DIN6921	2
	13.2	30301210043	Bolt M6X10DIN6921	2
14	30301210004	Screw M8X40DIN933	1	
15	30301221004	Washer M8DIN125	1	
16	L30GVRS7.13.30.00	Engine frame	1	
17	30301210031	Bolt M8X20DIN6921	4	

1.5 ENGINE KIT

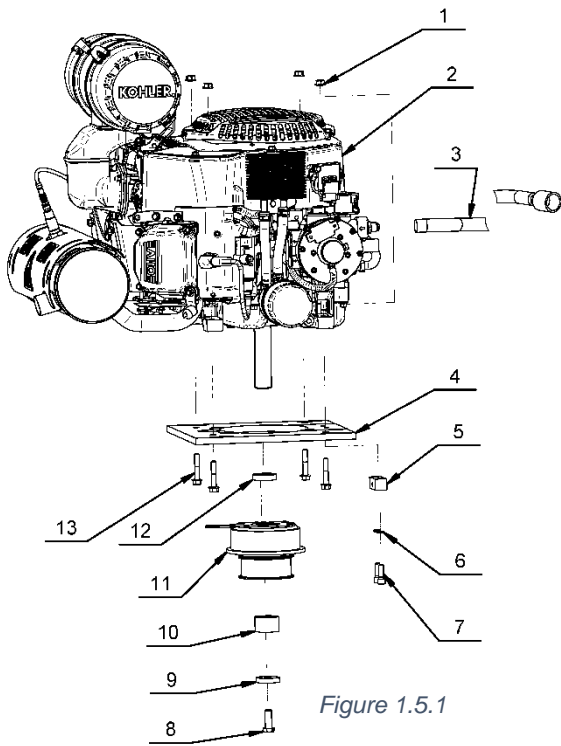


Figure 1.5.1

1.5.1 LAVINA® 30GKS7; 25GKS7 ENGINE KIT KOHLER			
Item No. L30GKS7.13.10.00			
No.	Item No.	Description	Pcs.
1	30301240095	Nut M8DIN6923	4
2	30313000557	Complete Assembly	1
3	L30GKS7.13.14.00	PSI Hose Set	1
4	L30GS7.13.00.02	Engine Plate	1
5	L25G-10.00.66	Tensioning Device Support	1
6	30301220022	Spring Washer M8DIN7980	2
7	30301230004	Screw M8X25DIN912	2
8	30313000689	Bolt HCS 7/16"-20x1.25"	1
9	L25GE10.02.02	Washer	1
10	L30GKS7.13.00.01	Clutch Washer	1
11	30313000540	Electric Clutch	1
12	L30GKS7.13.00.02	Clutch Washer Kohler	1
13	30301210147	Bolt M8x45DIN6921	4



Figure 1.5.1.1

1.5.1.1 LAVINA®30GKS7 Complete Assembly			
Item No. 30313000557			
No.	Item No.	Description	Pcs.
1	5001205001S	Kohler PCV740 Oil Filter	1
2	5002508301S	ELEMENT, AIR FILTER - PRIMARY	1
3	5002508304S	ELEMENT, AIR FILTER - SAFETY	1
4	5002509824S	STARTER, SOLENOID SHIFT	1
5	5002513214S	SPARK PLUG	2
6	5002539319S	KIT, FUEL PUMP MODULE	1
7	5002540339S	REGULATOR, RECT (20-30AMP, FW W/OVP)	1
8	5002551904S	COIL, IGNITION – EFI (RFI/EMC)	2
9	5002403804S	DIPSTICK, ASSEMBLY	1

1.5.2 LAVINA® 30GS7; 25GS7 ENGINE KIT			
Item No. L30GS7.13.10.00			
No.	Item No.	Description	Pcs.
1	L30GE06.00.00	REGULATOR SET	1
2	L30GS7.13.00.01	Holder	1
3	30301210031	Bolt M8X20DIN6921	2
4	KFX600	Complete Engine Assembly	1
5	L25GEB10.10.00-1	KAWASAKI motor wiring	1
6	L30GS7.13.00.02	Engine Plate	1
7	L25G-10.00.66	Tensioning Device Support	1
8	30301220022	Spring Washer M8DIN7980	2
9	30301230004	Screw M8X25DIN912	2
10	L25GE10.02.06	Clutch Washer	1
11	30313000689	Bolt HCS 7/16"-20x1.25"	1
12	L25GE10.02.02	Washer	1
13	30313000312	Electric Clutch	1
14	30313000086	Bolt HCS 3/8"-16x1.25" ITEM 92323A556	4

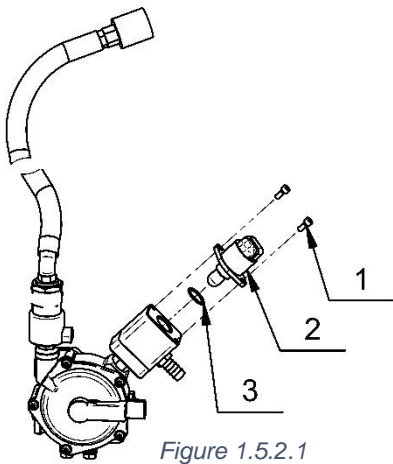
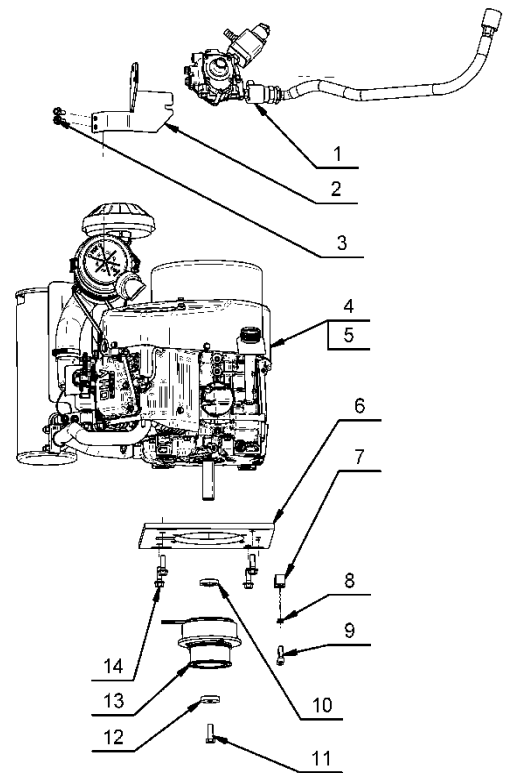


Figure 1.5.2.1

1.5.2.1 LAVINA® 30GS7; 25GS7 Regulator set			
Item No. L30GE06.00.00			
No.	Item No.	Description	Pcs.
1	30301230009	Screw M5x12 DIN912	2
2	30305000070	Idle speed motor	1
3	30302000156	O-Ring	1

1.5.2.2 LAVINA® 30GS7; 25GS7 KAWASAKI Fx600v Engine parts

No.	Item No.	Description	Pcs.
	KFX600	Complete Engine Assembly	
1	K49065-7007	Oil Filter	1
2	106	Oil Pressure Switch	1
3	120	Elbow	1
4	123	Joint	1
5	109	Oil Drain Valve	1
6	125	Element Air Filter	1
7	K201	Vertical Cat Muffler Assy.	1
8	117	Bonnet Filter	1

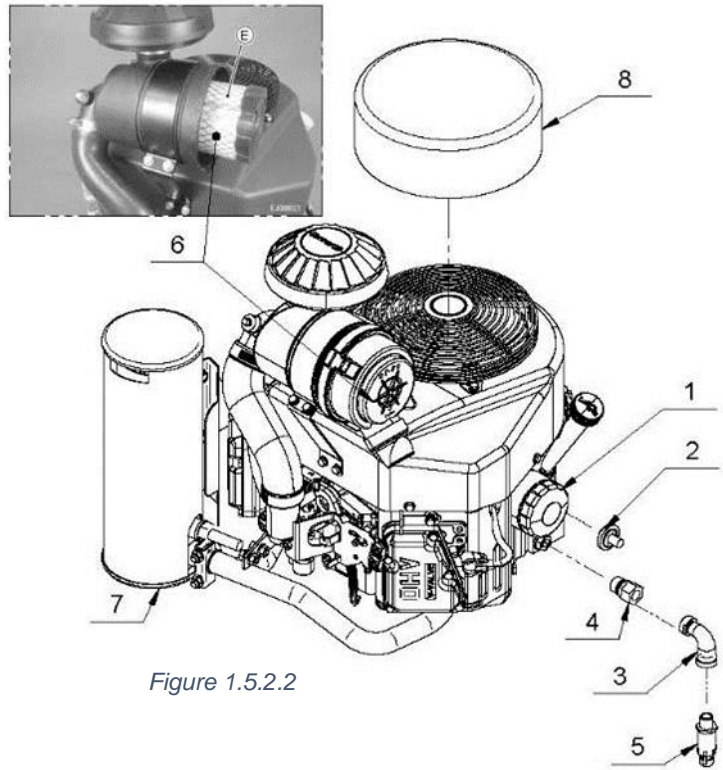


Figure 1.5.2.2

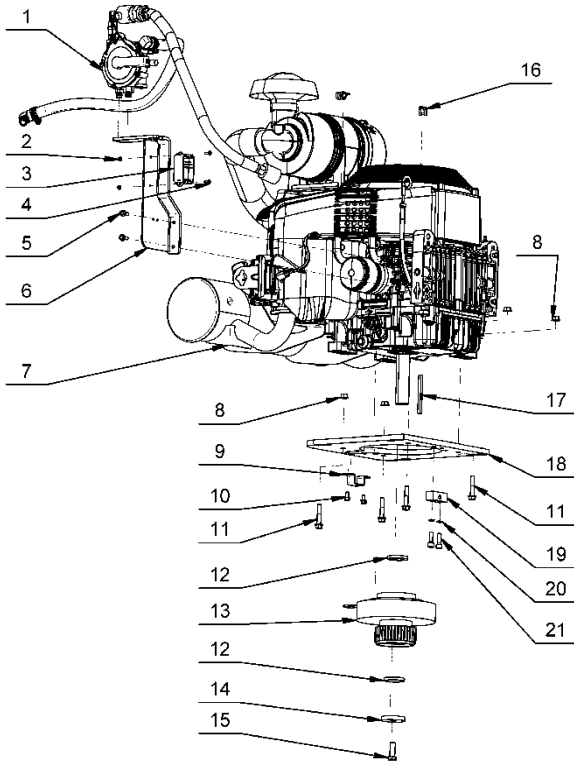


Figure 1.5.3

1.5.3 LAVINA® 31GS7 ENGINE KIT VANGUARD

Item No. L31GS7.13.10.00

No.	Item No.	Description	Pcs.
1	L31GS7.13.11.00-K	PSI Hose Set	1
2	30301240114	Nut M4DIN985	2
3	30313000538	Ogura soft start controller for gas engines	1
4	30301230024	Screw M4X12 ISO7380F	2
5	30301210051	Bolt M6x16DIN6921	2
6	L31GS7.13.12.00	Holder	1
7	30313000600	VANGUARD	1
8	30301240095	Nut M8DIN6923	4
9	L31GS7.13.10.06	Plate	1
10	30301210048	Bolt M6x12DIN6921	2
11	30301210147	Bolt M8x45DIN6921	4
12	L31GS7.13.10.01	Washer	2
13	30313000537	Electric Clutch	1
14	L32GX-10.00.44	Washer	1
15	30313000689	Bolt HCS 7/16"-20x1.25"	1
16	30308000412	Clamp	2
17	L31GS7.13.10.07	Key	1
18	L31GS7.13.10.03	Engine Plate	1
19	L25G-10.00.66	Tensioning Device Support	1
20	30301220022	Spring Washer M8DIN7980	2
21	30301230004	Screw M8X25DIN912	2

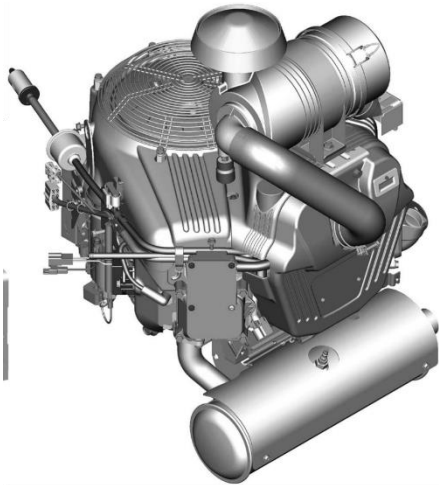


Figure 1.5.3.1

1.5.3.1 LAVINA®31GS7 VANGUARD			
Item No. 30313000600			
No.	Item No.	Description	Pcs.
1	600821136	Air Filter	1
2	600841281	Oil Pressure Switch	1
3	600792015	Spark Plug	1
4	600809670	993CC Air Filter Housing With Filters	1
5	600809907	Cap, A/C Rain	1
6	600841497	Air Filter	1
7	600842543	Cover, Rocker	1
8	600842921	Oil Filter	1
9	600845761	993CC Starter	1
10	600100170	5QT VANGUARD OIL 15W50	1
11	600847083	Muffler Vanguard 993cc	1

1.6 ENGINE FRAME

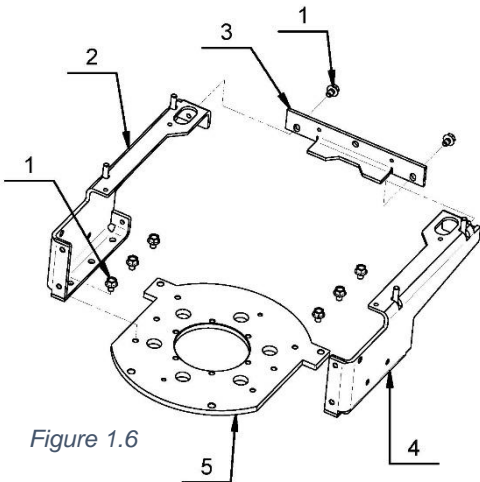


Figure 1.6

1.6 LAVINA® 31GS7; 30GKS7; 25GKS7; 30GS7; 25GS7 ENGINE DRIVE KIT			
Item No. L30GS7.13.30.00			
No.	Item No.	Description	Pcs.
1	30301210058	Bolt M8X12DIN6921	8
2	L30GVRS7.13.50.00	Right Plate Assembly	1
3	L30GS7.10.00.16	Profile	1
4	L30GVRS7.13.40.00	Left Plate Assembly	1
5	L30GS7.13.30.04	Flange	1

1.7 GUARD ASSEMBLY

1.7.1 LAVINA® 31GS7; 30GKS7; 30GS7 Guard Assembly			
Item No. L30GS7.10.70.00			
No.	Item No.	Description	Pcs.
1	L30GS7.10.71.00-K	Restriction strip set	2
2	30301240103	Nut M6DIN985	2
3	L30GS7.10.70.02	Vacuum Port	1
4	30301210117	Bolt M6x20DIN6921	2
5	FBL1350-2650-K	Brush set	1

1.7.2 LAVINA® 25GKS7; 25GS7 Guard Assembly			
Item No. L25GS7.10.70.00			
No.	Item No.	Description	Pcs.
1	L30GS7.10.71.00-K	Restriction strip set	2
2	30301240103	Nut M6DIN985	2
3	L30GS7.10.70.02	Vacuum Port	1
4	30301210117	Bolt M6x20DIN6921	2
5	FBL1350-2350-K	Brush set	1

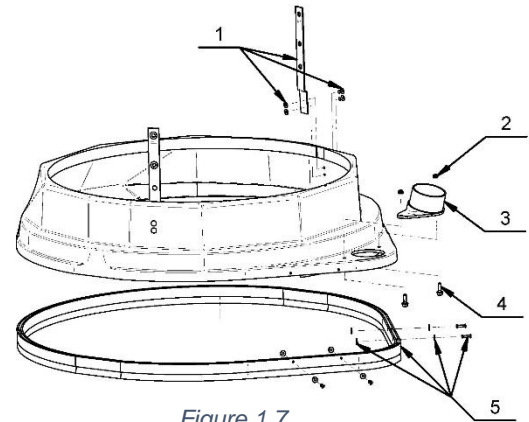


Figure 1.7

1.8 TOP COVER

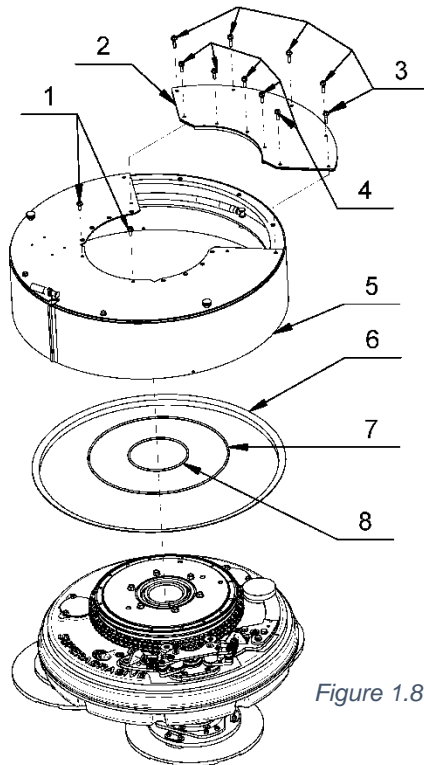


Figure 1.8

1.8 LAVINA® 31GS7; 30GKS7; 30GS7; 25GKS7; 25GS7 TOP COVER			
No.	Item No.	Description	Pcs.
1	30301210051	Bolt M6X16DIN6921	2
2	L30GS7.10.04.00	Inspection Cover	1
3	30301210107	Bolt M6X25DIN6921	5
4	30301210117	Bolt M6X20DIN6921	5
5	L30GS7.11.00.00	Top Cover Assembly	1
6	30302000049	V-Ring Type A	1
7	D4X2X1070	Seal	1
8	D4X2X455	Seal	1

1.9 TOP COVER ASSEMBLY

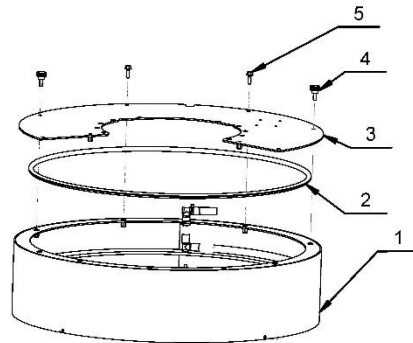


Figure 1.9

1.9 LAVINA® 31GS7; 30GKS7; 30GS7; 25GKS7; 25GS7 COVER Assembly			
Item No. L30GS7.11.00.00			
No.	Item No.	Description	Pcs.
1	L30GS7.11.21.00-K	Top Cover	1
2	PP-011.194.5	Sealer	1
3	L30GS7.11.10.00	Cover	1
4	30329000041	Knob Bolt M6X20	2
5	30301210117	Bolt M6x20DIN6921	2

1.10 PLANETARY DRIVE PARTS 2

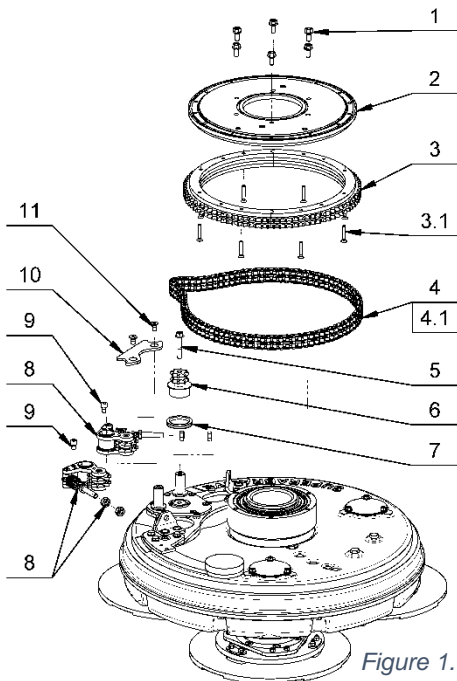


Figure 1.10

1.10 LAVINA® 31GS7; 30GKS7; 30GS7; 25GKS7; 25GS7 PLANETARY DRIVE PARTS 2				
No.	Item No.	Description	Pcs.	
1	30301210031	Bolt M8x20DIN6921	6	
2	L30GS7.10.11.00	Base plate	1	
3	A115.20.00.00-K	Sprocket set	1	
	3.1	30301230329	Screw M6X35DIN7991	6
4		08B-2-95-OL	Chain	1
	4.1	30312000028	Chain link	1
5	30301210144	Bolt M8X50DIN6921	1	
6	L30GS7.10.00.27	Sprocket	1	
7	30302000010	V-Ring Type A	1	
8	L30GS7.15.00.00	Chain tensioner	2	
9	30301230300	Screw M8X12DIN912	2	
10	L30GS7.10.00.28	Sector	1	
11	30301230056	Screw M8X16DIN7991	2	

1.10.1 LAVINA® 31GS7; 30GKS7; 30GS7; 25GKS7; 25GS7 Chain tensioner			
Item No. L30GS7.15.00.00			
No.	Item No.	Description	Pcs.
1	30301230013	Screw M6X12DIN7991	4
2	L30GS7.14.00.02	Top plate	1
3	L30GS7.14.10.00	Base assembly	1
3.1	30303000102	Slide bearing	2
4	L30GS7.15.00.01	Axle	1
5	30301250003	Retaining Ring	2
6	L30GS7.14.02.00	Sprocket Set	1
7	L30GS7.14.00.01	Axle	1
8	L30GS7.14.00.03	Springs	1
9	L30GS7.14.03.00	Capstan screws	1
10	30301240099	Nut M10DIN934	2

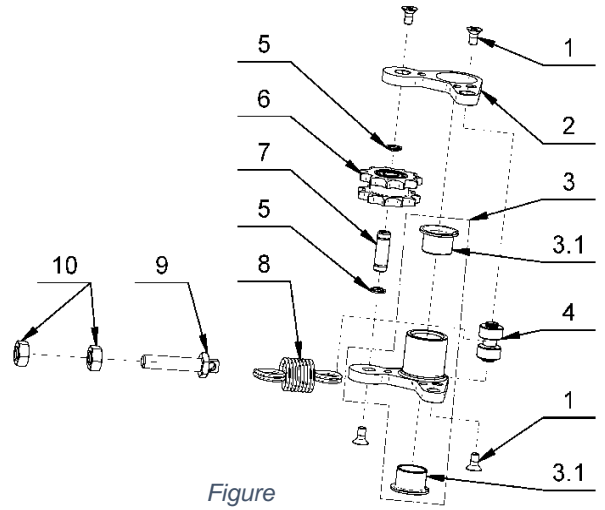


Figure 1.10.1

1.11 BOTTOM COVER 1 PARTS

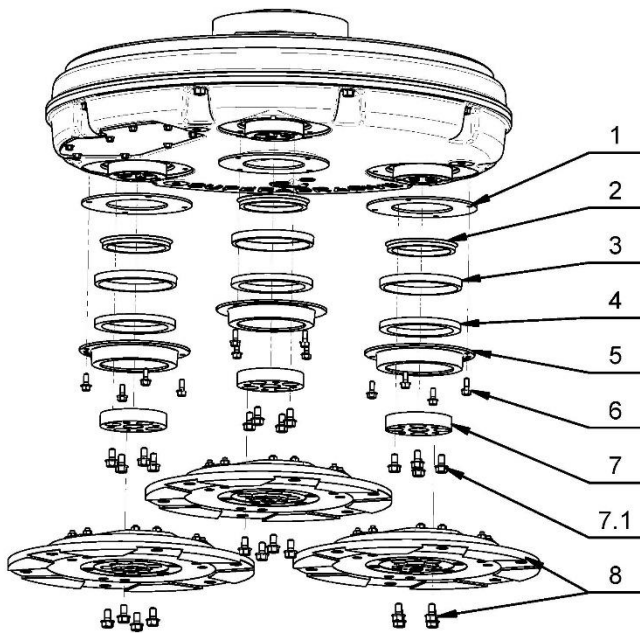


Figure 1.11

1.11.1 LAVINA® 31GS7; 30GKS7; 30GS7 BOTTOM COVER 1 PARTS			
No.	Item No.	Description	Pcs.
1	L30GS7.10.00.05	Pad	3
2	30302000005	V-Ring Type A	3
3	L30GS7.10.00.04	Ring	3
4	30309000000	Felt Ring	3
5	L30GS7.10.00.06	Outer Cover	3
6	30301210051	Bolt M6x16DIN6921	12
7	A42.03.00	Adaptor	3
7.1	30301210072	Bolt M8x16DIN6921	4
8	A64.00.00	Tool Holder A64	3
1.11.2 LAVINA® 25GKS7; 25GS7 BOTTOM COVER 1 PARTS			
No.	Item No.	Description	Pcs.
1	L30GS7.10.00.05	Pad	3
2	30302000005	V-Ring Type A	3
3	L30GS7.10.00.04	Ring	3
4	30309000000	Felt Ring	3
5	L30GS7.10.00.06	Outer Cover	3
6	30301210051	Bolt M6x16DIN6921	12
7	A42.03.00	Adaptor	3
7.1	30301210072	Bolt M8x16DIN6921	4
8	A63.00.00	Tool Holder A63	3

1.11.1.1 TOOL HOLDER A64

1.11.1.1 LAVINA® 31GS7; 30GKS7; 30GS7 TOOL HOLDER A64					
ITEM NO. A64.00.00					
(POS.1 INCLUDE POS.1.1;1.2;1.3/POS.1.3 INCLUDE POS.1.3.1 AND ETC.)					
No.	Item No.	Description	Pcs.		
1	A64.10.00	Quick Change Assembly	1		
	1.1	A63.12.00	Keylock Set	1	
	1.2	A43.11.00	Quick Change plate	1	
	1.3	A41.12.00	Security set	1	
		1.3.1	A41.00.05	Washer A41	1
2	A25.00.10-K	Buffer with two screw	6		
	2.1	30301230161	Screw M8X12DIN7991/10.9/	12	
	2.2	A25.00.10	Buffer	6	
3	A41.20.03-K	Driving Set A41	1		
	3.1	A41.20.03	Elastic Element	1	
	3.2	30301240124	Self Locking Nut M6DIN980V	12	
	3.3	30301230123	Screw M6X30DIN7991/10.9/	6	
	3.4	30301230131	Screw M6X40DIN7991/10.9/	6	
	3.5	A41.21.00	Set of plates	1	
4	30301210072	Bolt M8x16DIN6921	4		
5	A41.20.01	Flange	1		

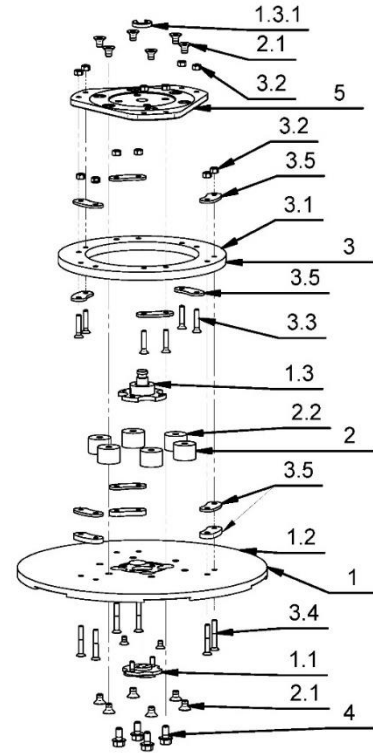


Figure 1.11.1.1

1.11.1.2 TOOL HOLDER A63

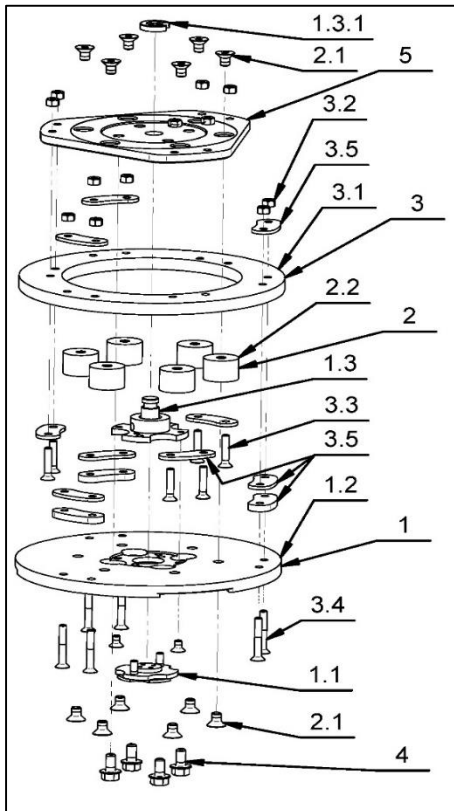


Figure 1.11.1.2

1.11.1.2 LAVINA® 25GS7; 25GKS7 TOOL HOLDER A63					
ITEM NO. A63.00.00					
(POS.1 INCLUDE POS.1.1;1.2;1.3/POS.1.3 INCLUDE POS.1.3.1 and etc.)					
No.	Item No.	Description	Pcs.		
1	A63.10.00	Quick Change Assembly	1		
	1.1	A63.12.00	Keylock Set	1	
	1.2	A41.11.00	Quick Change plate	1	
	1.3	A41.12.00	Security set	1	
		1.3.1	A41.00.05	Washer A41	1
2	A25.00.10-K	Buffer with two screw	6		
	2.1	30301230161	Screw M8X12DIN7991/10.9/	12	
	2.2	A25.00.10	Buffer	6	
3	A41.20.03-K	Driving Set A41	1		
	3.1	A41.20.03	Elastic Element	1	
	3.2	30301240124	Self Locking Nut M6DIN980V	12	
	3.3	30301230123	Screw M6X30DIN7991/10.9/	6	
	3.4	30301230131	Screw M6X40DIN7991/10.9/	6	
	3.5	A41.21.00	Set of plates	1	
4	30301210072	Bolt M8x16DIN6921	4		
5	A41.20.01	Flange	1		

1.12 BOTTOM COVER 2 PARTS

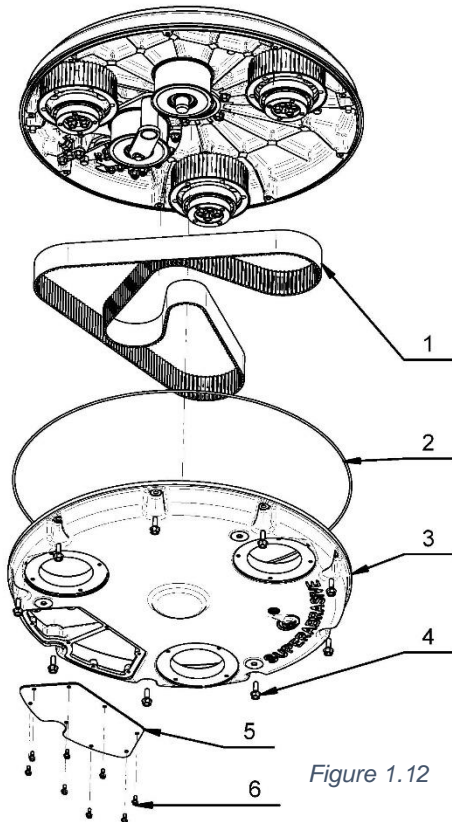


Figure 1.12

1.12 LAVINA® 31GS7; 30GKS7; 30GS7; 25GKS7; 25GS7 BOTTOM COVER 2 PARTS			
No.	Item No.	Description	Pcs.
1	30308000130	Timing Belt	1
2	D4X2X1950	Seal	1
3	L30GS7.10.00.02-K	Bottom Cover Set	1
4	30301210038	Bolt M8X25DIN6921	9
5	L30GS7.10.03.00	Inspection Cover	1
6	30301210030	Bolt M5X12DIN6921	8

1.13 BOTTOM COVER 3 PARTS

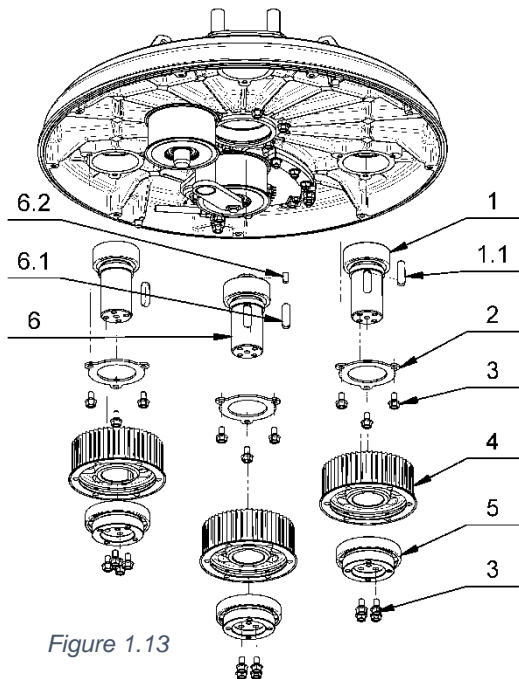


Figure 1.13

1.13. LAVINA® 31GS7; 30GKS7; 30GS7; 25GKS7; 25GS7 BOTTOM COVER 3 PARTS			
No.	Item No.	Description	Pcs.
1	L30GS7.10.18.00	Shaft Assembly	2
	1.1 30301260083	Key	1
2	L30GS7.10.00.24	Cover	3
3	30301210072	Bolt M8x16DIN6921	21
4	L30GS7.10.07.00	Pulley	3
5	L30GS7.10.60.00	Bushing bearing set	3
6	L30GS7.10.09.00	Shaft Assembly	1
	6.1 30301260083	Key	1
	6.2 L30GS7.10.09.02	Key	1

1.14 BOTTOM COVER 4 PARTS

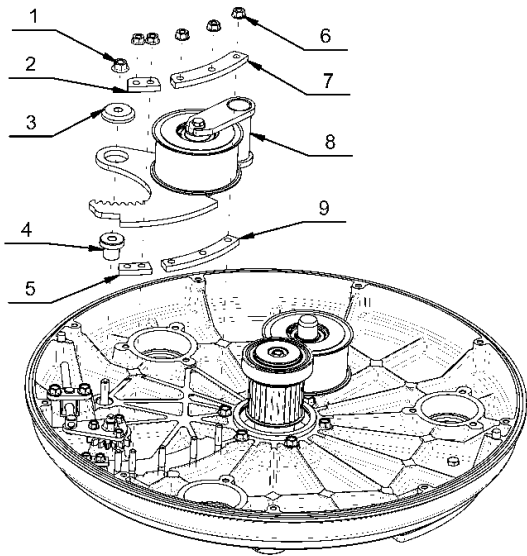


Figure 1.14

1.14 LAVINA® 31GS7; 30GKS7; 30GS7; 25GKS7; 25GS7 BOTTOM COVER 4 PARTS			
No.	Item No.	Description	Pcs.
1	30301240084	Nut M10DIN6923	1
2	L30GS7.10.00.20	Sector	1
3	L30GS7.10.00.22	Washer	1
4	L30GS7.10.00.09	Shaft	1
5	L30GS7.10.00.19	Sector	1
6	30301240095	Nut M8DIN6923	5
7	L30GS7.10.00.18	Sector	1
8	L30GS7.12.00.00	Tensioning Support 1	1
9	L30GS7.10.00.17	Sector	1

1.15 BOTTOM COVER 5 PARTS

1.15 LAVINA® 31GS7; 30GKS7; 30GS7; 25GKS7; 25GS7 BOTTOM COVER 5 PARTS			
No.	Item No.	Description	Pcs.
1	L30GS7.10.00.09	Shaft	1
2	L30GS7.10.00.08	Sector	1
3	30301210048	Bolt M6X12DIN6921	2
4	L30GS7.10.00.26-K	Tensioning Support 2	1
5	30301240084	Nut M10DIN6923	1
6	L30GS7.10.00.12	Support	1
7	30301210031	Bolt M8x20DIN6921	2
8	L30GS7.10.00.25	Stand	1
9	30301240099	Nut M10DIN934	2
10	30301250006	Retaining Ring	1
11	L30GS7.12.20.00	Deflection Pulley	1
12	L30GS7.10.00.10	Shaft	1
13	30301210096	Bolt M10X25DIN6921	1

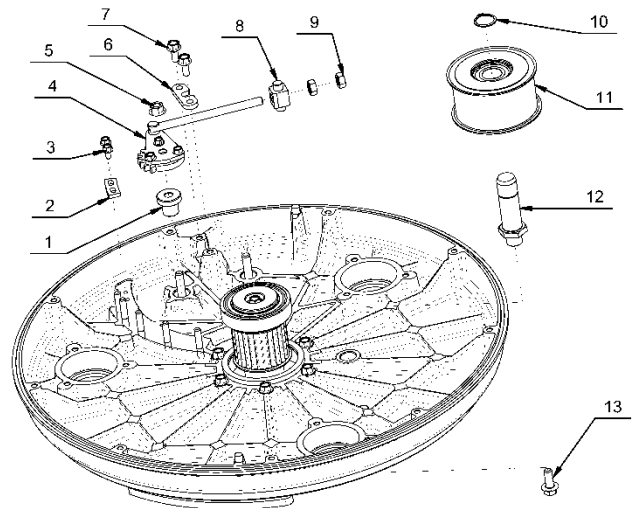


Figure 1.15

1.16 BOTTOM COVER 6 PARTS

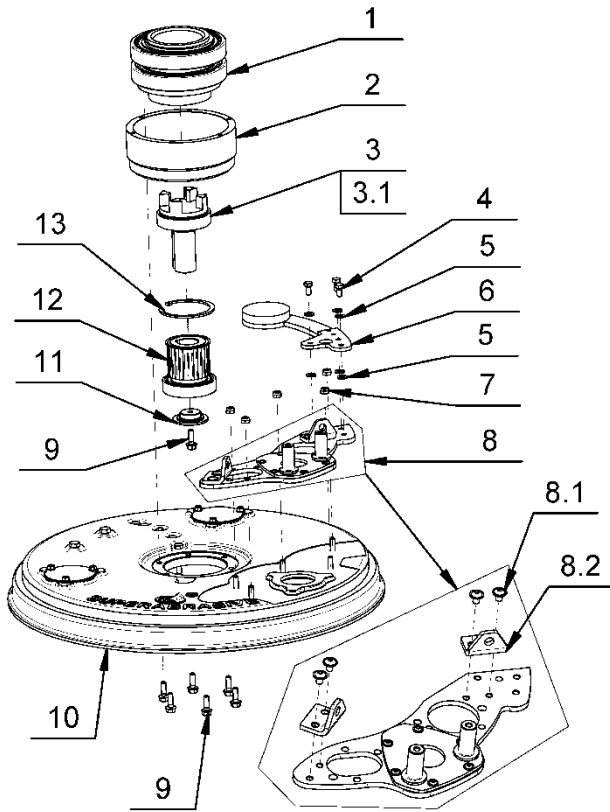


Figure 1.16

1.16. LAVINA® 31GS7; 30GKS7; 30GS7; 25GKS7; 25GS7 BOTTOM COVER 6 PARTS			
No.	Item No.	Description	Pcs.
1	L30GS7.10.13.00-K	Bushing center kit	1
2	L30GS7.10.10.03	Bushing	1
3	L30S7.10.20.00	Shaft Assembly	1
	3.1	30301260090	Key
		30301260090	Key
4	30301210037	Screw M8X16DIN933	3
5	30301221004	Washer M8DIN125A	6
6	L30GS7.16.00.00	Balance	1
7	30301240106	Nut M8DIN985	5
8	L30GS7.17.20.00	Chain tensioner kit base	1
	8.1	30301230129	Screw M8X12ISO7380F
	8.2	A115.10.00.01	Holder
9	30301210038	Bolt M8X25DIN6921	7
10	L30GS7.17.00.00-K	Body Assembly	1
11	L30GS7.10.00.23	Front Washer	1
12	L30GS7.10.20.00	Central Pulley Assembly	1
13	30301250045	Retaining Ring	1

1.17 CONTROL BOARD WITH THROTTLE CABLE

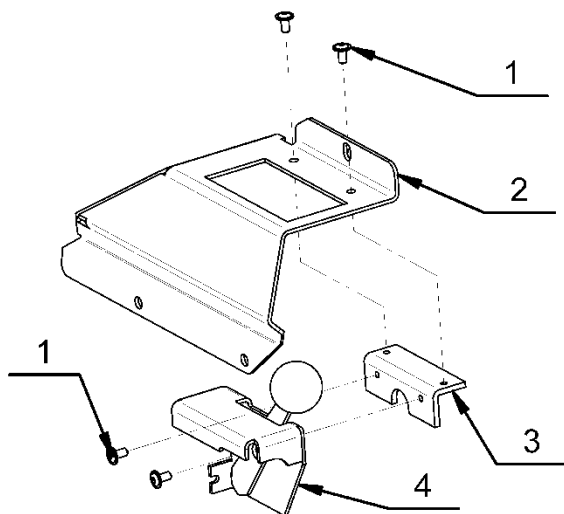


Figure 1.17

1.17. LAVINA® 31GS7; 30GKS7; 30GS7; 25GKS7; 25GS7 CONTROL BOARD WITH THROTTLE CABLE			
Item No. L30GS7.20.90.00			
No.	Item No.	Description	Pcs.
1	30301230039	Screw M4x8ISO7380F	4
2	L30GS7.20.90.01	Throttle cable base	1
3	L40G.24.00.02	Clamp	1
4	L30GS7.20.90.02	Throttle cable	1

1.18. CARRIAGE 1 PARTS

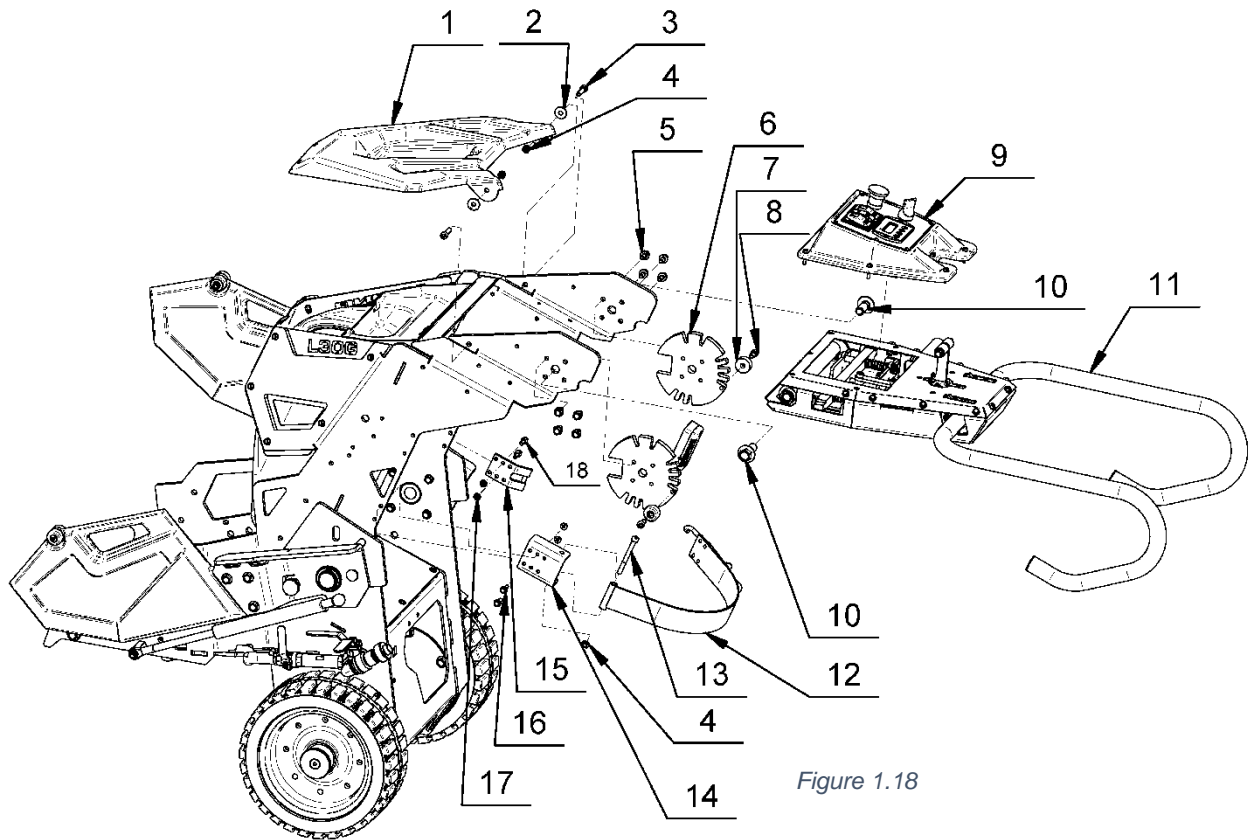


Figure 1.18

1.18.1 LAVINA® 30GKS7; 30GS7; 25GKS7; 25GS7
CARRIAGE 1 PARTS

No.	Item No.	Description	Pcs.
1	L30GS7.20.60.00	Cover	1
2	30301221019	Washer M8DIN9021	2
3	30301230032	Screw M8X30DIN912	2
4	30301240106	Nut M8DIN985	3
5	30301210072	Bolt M8x16DIN6921	8
6	L30GS7.20.00.02	Locking plate	2
7	30310000012	Buffers	2
8	30301230018	Screw M8X16DIN912	2
9	L30GS7.27.00.00-1	Control Board	1
10	30301210136	Bolt M16X40DIN6921	2
11	L30GS7.22.00.00	Handlebar set	1
12	L30GS7.20.30.00	Strap	1
13	30301230231	Screw M8X80DIN912	1
14	L30GS7.20.00.11	Strap holder left	1
15	L20GX-25.30.00	Strap	1
16	30301210117	Bolt M6x20DIN6921	4
17	30301240098	Nut M6DIN6923	4

1.18.2 LAVINA® 31GS7
CARRIAGE 1 PARTS

No.	Item No.	Description	Pcs.
1	L30GS7.20.60.00	Cover	1
2	30301221019	Washer M8DIN9021	2
3	30301230032	Screw M8X30DIN912	2
4	30301240106	Nut M8DIN985	3
5	30301210072	Bolt M8x16DIN6921	8
6	L30GS7.20.00.02	Locking plate	2
7	30310000012	Buffers	2
8	30301230018	Screw M8X16DIN912	2
9	L31GS7.27.00.00	Control Board	1
10	30301210136	Bolt M16X40DIN6921	2
11	L30GS7.22.00.00	Handlebar set	1
12	L30GS7.20.30.00	Strap	1
13	30301230231	Screw M8X80DIN912	1
14	L30GS7.20.00.11	Strap holder left	1
15	L20GX-25.30.00	Strap	1
16	30301210117	Bolt M6x20DIN6921	4
17	30301240098	Nut M6DIN6923	4

1.19. CONTROL BOARD

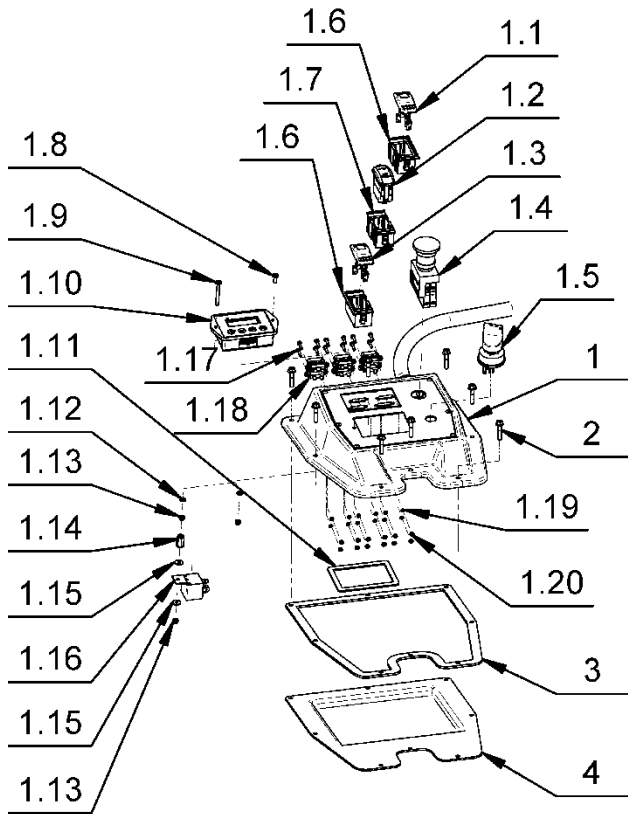


Figure 1.19

1.19.1. LAVINA® 30GKS7; 30GS7; 25GKS7; 25GS7 CONTROL BOARD				
Item No. L30GS7.27.00.00-1				
No.	Item No.	Description	Pcs.	
1	L30GS7.27.10.00-2	Top cover assembly	1	
	1.1	30313000074	Light Switch	1
	1.2	30313000173	USB AS235-3.4A	1
	1.3	30313000072	Clutch Switch	1
	1.4	L30GEK21.20.00	Emergency stop button	1
	1.5	30313000263	Start-Stop Switch	1
	1.6	30313000573	Snap-in bracket-end black	2
	1.7	30313000574	Snap-in bracket-center black	1
	1.8	30301230024	Screw M4X12ISO7380F	1
	1.9	30301230036	Screw M4X40ISO7380F	1
	1.10	A97.00.00-3	Complete Monitor Assembly	1
	1.11	L30GEK21.00.02	Plate	1
	1.12	30301221001	WasherM4DIN125A	2
1.13	30301240114	Nut M4DIN985	3	
1.14	30301240130	Rivet nut M6	1	
1.15	30301221010	Washer M4DIN9021	2	
1.16	30311000498	Relay	1	
1.17	30301230325	Screw M3X12DIN7985	12	
1.18	30313000615	Fuse holder	6	
1.19	30301220010	Washer H3DIN7980	12	
1.20	30301240019	Nut M3DIN934	12	
2	30301210056	Bolt M5X25DIN6921	8	
3	30302000158	Seal	1	
4	30306000059	Bottom cover	1	

1.19.2. LAVINA® 31GS7 CONTROL BOARD			
Item No. L31GS7.27.00.00			
No.	Item No.	Description	Pcs.
1	L31GS7.27.10.00	Top cover assembly	1
1.1	30313000074	Light Switch	1
1.2	30313000173	USB AS235-3.4A	1
1.3	30313000072	Clutch Switch	1
1.4	L30GEK21.20.00	Emergency stop button	1
1.5	30313000263	Start-Stop Switch	1
1.6	30313000573	Snap-in bracket-end black	2
1.7	30313000574	Snap-in bracket-center black	1
1.8	30301230024	Screw M4X12ISO7380F	1
1.9	30301230036	Screw M4X40ISO7380F	1
1.10	A97.00.00-3	Complete Monitor Assembly	1
1.11	L30GEK21.00.02	Plate	1
1.12	30301221001	WasherM4DIN125A	2
1.13	30301240114	Nut M4DIN985	3
1.14	30301240130	Rivet nut M6	1
1.15	30301221010	Washer M4DIN9021	2
1.16	30311000498	Relay	1
1.17	30301230325	Screw M3X12DIN7985	12
1.18	30313000615	Fuse holder	6
1.19	30301220010	Washer H3DIN7980	12
1.20	30301240019	Nut M3DIN934	12
2	30301210056	Bolt M5X25DIN6921	8
3	30302000158	Seal	1
4	30306000059	Bottom cover	1

1.20 HANDLEBAR SET

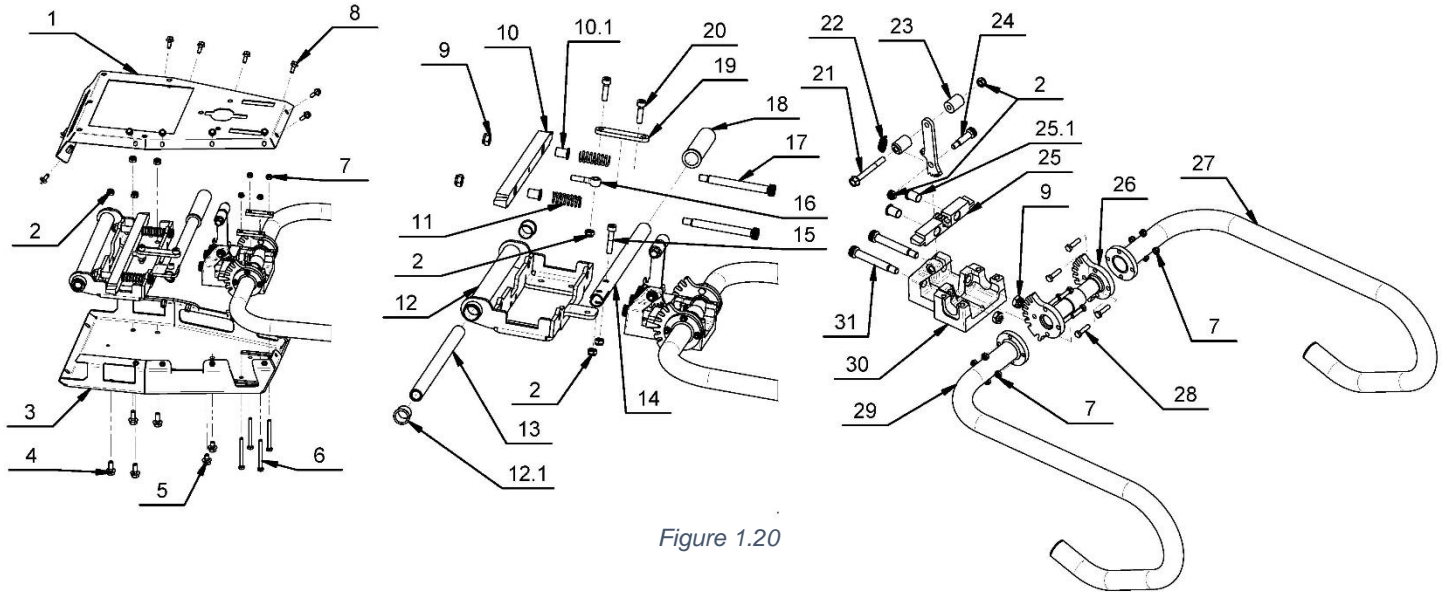


Figure 1.20

1.20. LAVINA® 31GS7; 30GKS7; 30GS7; 25GKS7; 25GS7 HANDLEBAR SET									
Item No. L30GS7.22.00.00									
No.		Item No.	Description	Pcs.	No.		Item No.	Description	Pcs.
1		L30GS7.22.50.00	Cover	1	16		30301210104	Bolt M8X40DIN444	1
2		30301240106	Nut M8DIN985	9	17		30301230100	Screw 12X100M10ISO7379	2
3		L30GS7.22.10.00	Body Base	1	18		30329000014	Handle	1
4		30301210031	Bolt M8X20DIN6921	4	19		L30GS7.22.00.02	Plate	1
5		30301210058	Bolt M8X12DIN6921	2	20		30301230032	Screw M8X30DIN912	2
6		30301210085	Bolt M6X65DIN933	4	21		30301210069	Bolt M8X70DIN6921	1
7		30301240103	Nut M6DIN985	4	22		30317000042	Spring	1
8		30301210051	Bolt M6X16DIN6921	12	23		L30GS7.22.30.04	Bushing	2
9		30301240092	Nut M10DIN985	4	24		30301210191	Screw 10X30M8ISO7379	1
10		L30GS7.22.40.00	Locking item	1	25		L30GS7.22.34.00	Locking item	1
	10.1	30303000110	Flange bearing	2		25.1	30303000110	Flange bearing	2
11		30317000041	Spring	2	26		L30GS7.22.31.00	Locking axle	1
12		L30GS7.22.20.00	Body	1	27		L30GS7.22.32.00	Handle right	1
	12.1	30303000103	Flange bearing	2	28		30301210077	Screw M6x25DIN933	8
13		L30GS7.22.00.01	Axle	1	29		L30GS7.22.33.00	Handle left	1
14		L30GS7.22.00.03	Lever	1	30		L30GS7.22.30.01	Base	1
15		30301230155	Screw M8X40DIN912	1	31		30301230318	Screw 12X70M10ISO7379	2

1.21. CARRIAGE 2 PARTS

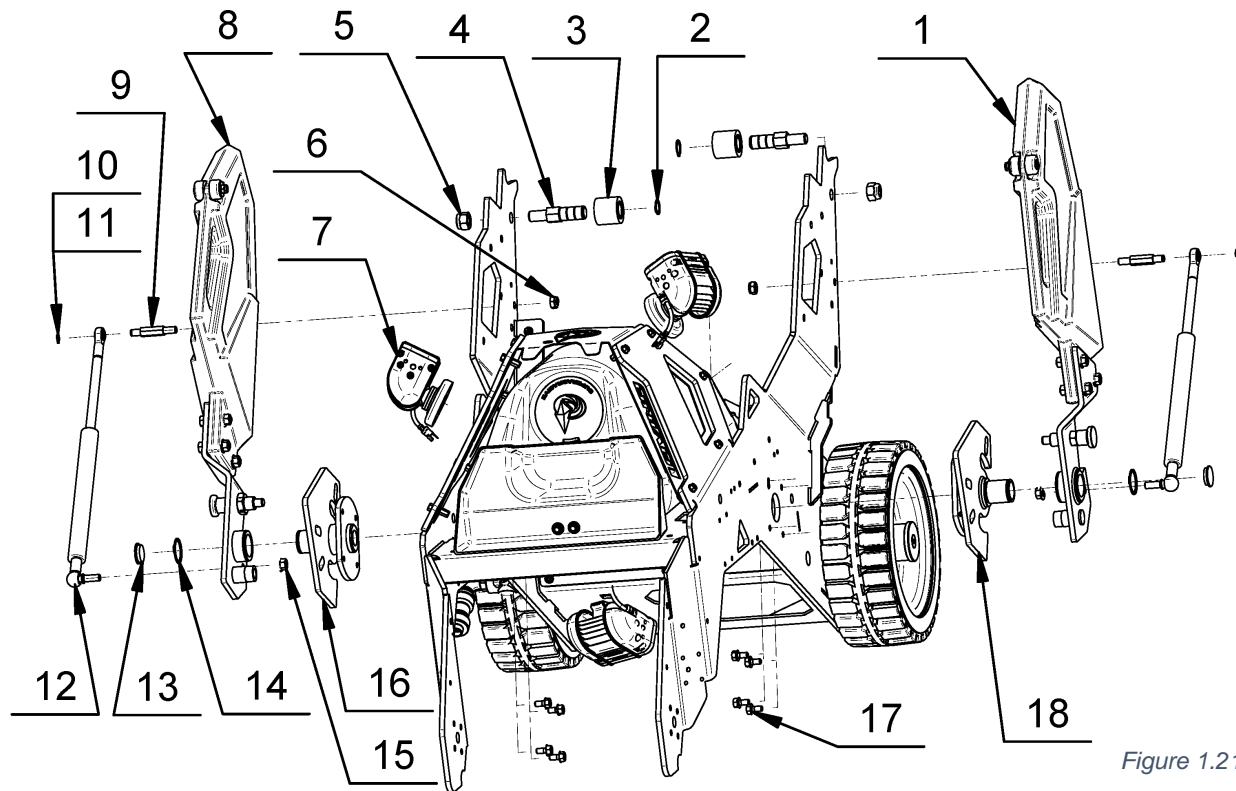


Figure 1.21

1.21.1. LAVINA® 30GKS7; 30GS7; 25GKS7; 25GS7 CARRIAGE 2 PARTS			
No.	Item No.	Description	Pcs.
1	L30GS7.26.00.00	Right Weight	1
2	30301250042	Circlip 20DIN471	2
3	30302000157	Rubber Bushing	2
4	L30GS7.20.00.04	Axle	2
5	30301240109	Nut M16DIN982	2
6	30301240084	Nut M10DIN6923	2
7	A110.00.00.00	LED Light	2
8	L30GS7.25.00.00	Left Weight	1
9	L30GS7.20.00.03	Axle	2
10	30301221005	Washer M10DIN125A	2
11	30316000069	Pin 3,2X20DIN94	2
12	30317000036	Gas Springs	2
13	40401000113	Plug	2
14	30301250008	Circlip 35DIN471	2
15	30301240084	Nut M10DIN6923	2
16	L30GS7.23.00.00	Left axis	1
17	30301210072	Bolt M8X16DIN6921	8
18	L30GS7.24.00.00	Right axis	1

1.21.1. LAVINA® 31GS7 CARRIAGE 2 PARTS			
No.	Item No.	Description	Pcs.
1	L31S7.26.00.00	Right Weight	1
2	30301250042	Circlip 20DIN471	2
3	30302000157	Rubber Bushing	2
4	L30GS7.20.00.04	Axle	2
5	30301240109	Nut M16DIN982	2
6	30301240084	Nut M10DIN6923	2
7	A110.00.00.00	LED Light	2
8	L31S7.25.00.00	Left Weight	1
9	L31S7.20.00.03	Axle	2
10	30301221005	Washer M10DIN125A	2
11	30316000069	Pin 3,2X20DIN94	2
12	30317000036	Gas Springs	2
13	40401000113	Plug	2
14	30301250008	Circlip 35DIN471	2
15	30301240084	Nut M10DIN6923	2
16	L31S7.23.00.00	Left axis	1
17	30301210072	Bolt M8X16DIN6921	8
18	L31S7.24.00.00	Right axis	1

1.22. RIGHT WEIGHT

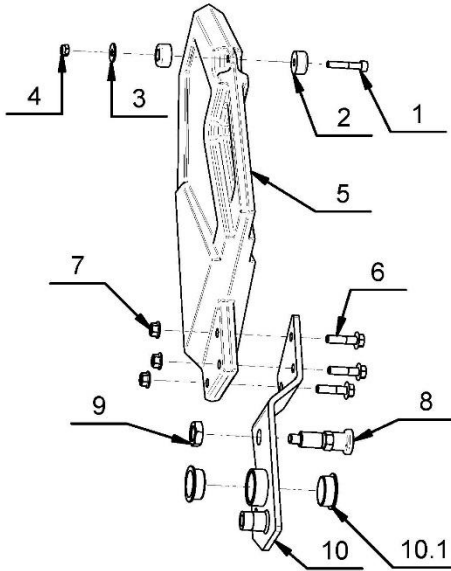


Figure 1.22.1

1.22.1. LAVINA® 30GKS7; 30GS7; 25GKS7; 25GS7 RIGHT WEIGHT			
Item No. L30GS7.26.00.00			
No.	Item No.	Description	Pcs.
1	30301230112	Screw M8X45DIN 912	1
2	30310000012	Rubber Bushing	2
3	30301221019	Washer M8DIN9021	1
4	30301240106	Nut M8DIN985	1
5	L30GS7.25.00.01	Weight	1
6	30301210103	Bolt M10X40DIN6921	3
7	30301240084	Nut M10DIN6923	3
8	30329000054	Indexing plunger	1
9	30301240015	Nut M20X1,5DIN439B	1
10	L30GS7.26.10.00	Carrier right	1
10.1	30303000109	Flange bearing	2

1.22.2. LAVINA® 31GS7 RIGHT WEIGHT			
Item No. L31S7.26.00.00			
No.	Item No.	Description	Pcs.
1	30301240084	Nut M10DIN6923	4
2	30301240100	Nut M12DIN934	1
3	L31S7.25.00.02	Weight	2
4	30301240106	Nut M8DIN985	1
5	30310000012	Rubber Bushing	2
6	L31S7.25.00.01	Weight	1
7	30301230231	Screw M8X80DIN912	1
8	30301210196	Screw M10X80DIN931	2
9	30301210103	Bolt M10X40DIN6921	2
10	30329000060	Indexing plunger	1
11	L30GS7.26.10.00	Carrier right	1
11.1	30303000109	Flange bearing	2

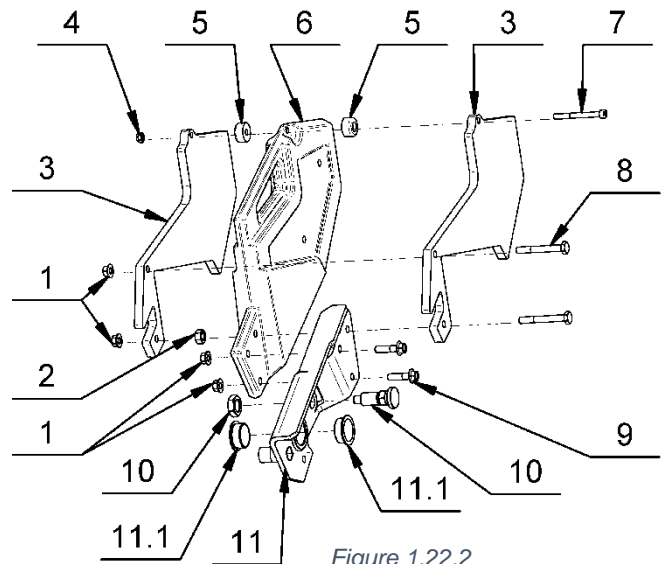


Figure 1.22.2

1.23. LEFT WEIGHT

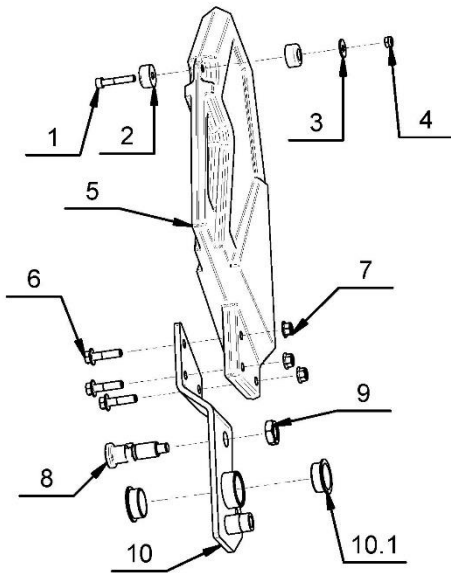


Figure 1.23.1

1.23.1. LAVINA® 30GKS7; 30GS7; 25GKS7; 25GS7 LEFT WEIGHT			
Item No. L30GS7.25.00.00			
No.	Item No.	Description	Pcs.
1	30301230112	Screw M8X45DIN 912	1
2	30310000012	Rubber Bushing	2
3	30301221019	Washer M8DIN9021	1
4	30301240106	Nut M8DIN985	1
5	L30GS7.25.00.01	Weight	1
6	30301210103	Bolt M10X40DIN6921	3
7	30301240084	Nut M10DIN6923	3
8	30329000054	Indexing plunger	1
9	30301240015	Nut M20X1,5DIN439B	1
10	L30GS7.25.10.00	Carrier left	1
10.1	30303000109	Flange bearing	2

1.23.2. LAVINA® 31GS7 LEFT WEIGHT			
Item No. L31S7.25.00.00			
No.	Item No.	Description	Pcs.
1	30301240084	Nut M10DIN6923	4
2	30301240100	Nut M12DIN934	1
3	L31S7.25.00.02	Weight	2
4	30301240106	Nut M8DIN985	1
5	30310000012	Rubber Bushing	2
6	L31S7.25.00.01	Weight	1
7	30301230231	Screw M8X80DIN912	1
8	30301210196	Screw M10X80DIN931	2
9	30301210103	Bolt M10X40DIN6921	2
10	30329000060	Indexing plunger	1
11	L30GS7.25.10.00	Carrier right	1
11.1	30303000109	Flange bearing	2

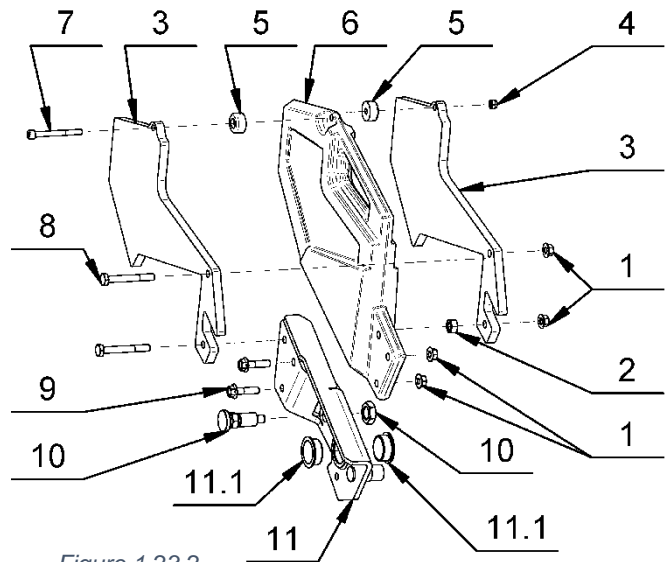


Figure 1.23.2

1.24. CARRIAGE 3 PARTS

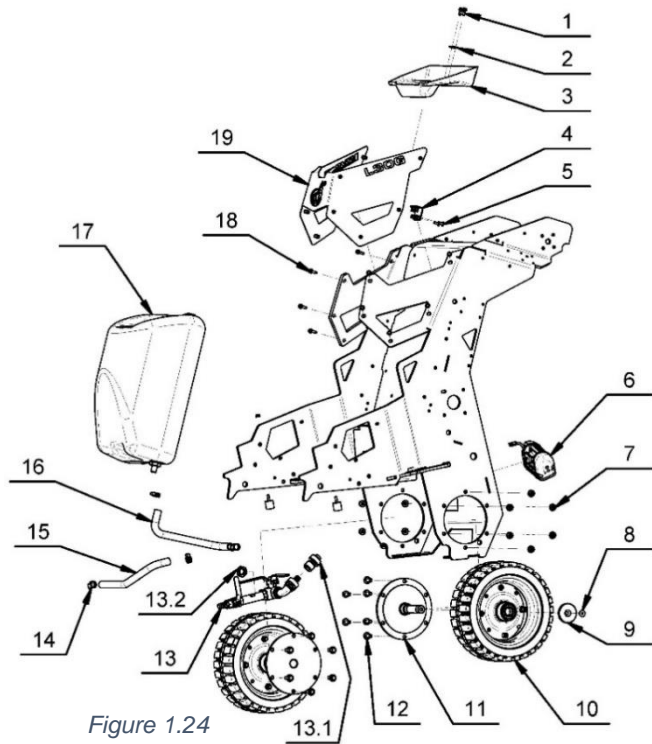


Figure 1.24

1.24.1. LAVINA® 30GKS7; 30GS7 CARRIAGE 3 PARTS				
No.	Item No.	Description	Pcs.	
1	30301210051	Bolt M6X16DIN6921	2	
2	30301221012	Washer M6DIN9021	2	
3	L30GS7.20.00.12	Pocket	1	
4	L30GS7.20.50.00	Holder	1	
5	30301230243	Screw M6X16ISO7380F	2	
6	A109.00.00	LED Light	1	
7	30301240084	Nut M10DIN6923	12	
8	30301230015	Screw M10X16DIN7991	2	
9	L32D-20.00.03	Wheel Cap	2	
10	L30GS7.20.70.00	Wheel	2	
11	L30GS7.20.80.00	Axle	2	
12	30301210096	Bolt M10X25DIN6921	12	
13	L30GS7.20.20.00	Water Valve assembly	1	
	13.1	30316000013	Quick-change nozzle	1
	13.2	30301240015	Nut M20X1.5DIN439B	1
14	30308000407	Hose clamp	4	
15	MAR16.325-K	PE Tube	1	
16	MAR16.360-K	PE Tube	1	
17	A101.00.00	Tank Assembly	1	
18	30301210117	Bolt M6X20DIN6921	10	
19	L30GS7.20.40.00	Console set	1	

1.24.2. LAVINA® 25GKS7; 25GS7 CARRIAGE 3 PARTS				
No.	Item No.	Description	Pcs.	
1	30301210051	Bolt M6X16DIN6921	2	
2	30301221012	Washer M6DIN9021	2	
3	L30GS7.20.00.12	Pocket	1	
4	L30GS7.20.50.00	Holder	1	
5	30301230243	Screw M6X16ISO7380F	2	
6	A109.00.00	LED Light	1	
7	30301240084	Nut M10DIN6923	12	
8	30301230015	Screw M10X16DIN7991	2	
9	L32D-20.00.03	Wheel Cap	2	
10	L30GS7.20.70.00	Wheel	2	
11	L30GS7.20.80.00	Axle	2	
12	30301210096	Bolt M10X25DIN6921	12	
13	L30GS7.20.20.00	Water Valve assembly	1	
	13.1	30316000013	Quick-change nozzle	1
	13.2	30301240015	Nut M20X1.5DIN439B	1
14	30308000407	Hose clamp	4	
15	MAR16.325-K	PE Tube	1	
16	MAR16.360-K	PE Tube	1	
17	A101.00.00	Tank Assembly	1	
18	30301210117	Bolt M6X20DIN6921	10	
19	L25GS7.20.40.00	Console set	1	

1.24.3. LAVINA® 31GS7 CARRIAGE 3 PARTS				
No.	Item No.	Description	Pcs.	
1	30301210051	Bolt M6X16DIN6921	2	
2	30301221012	Washer M6DIN9021	2	
3	L30GS7.20.00.12	Pocket	1	
4	L30GS7.20.50.00	Holder	1	
5	30301230243	Screw M6X16ISO7380F	2	
6	A109.00.00	LED Light	1	
7	30301240084	Nut M10DIN6923	12	
8	30301230015	Screw M10X16DIN7991	2	
9	L32D-20.00.03	Wheel Cap	2	
10	L30GS7.20.70.00	Wheel	2	
11	L30GS7.20.80.00	Axle	2	
12	30301210096	Bolt M10X25DIN6921	12	
13	L30GS7.20.20.00	Water Valve assembly	1	
	13.1	30316000013	Quick-change nozzle	1
	13.2	30301240015	Nut M20X1.5DIN439B	1
14	30308000407	Hose clamp	4	
15	MAR16.325-K	PE Tube	1	
16	MAR16.360-K	PE Tube	1	
17	A101.00.00	Tank Assembly	1	
18	30301210117	Bolt M6X20DIN6921	10	
19	L31GS7.20.40.00	Console set	1	

1.25. WATER TANK

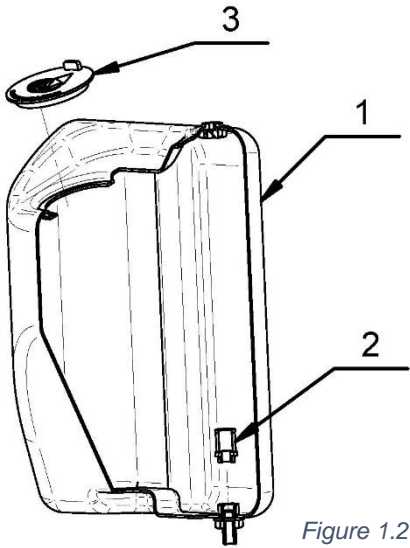


Figure 1.25

1.25. LAVINA® 30GKS7; 30GS7; 25GKS7; 25GS7 WATER TANK			
Item No. A101.00.00			
No.	Item No.	Description	Pcs.
1	A101.00.00-K	Water Tank-K	1
2	30316000001	Filter	1
3	A101.00.02	Tank cap	1

1.26. CARRIAGE 4 PARTS

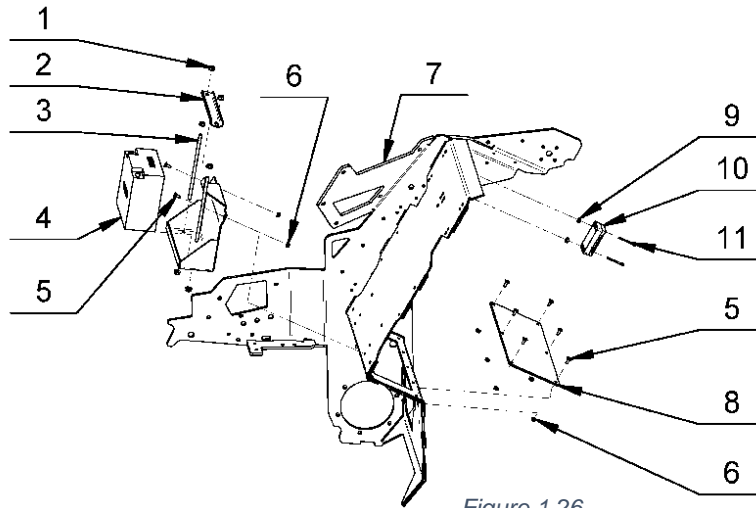


Figure 1.26

1.26.1 LAVINA® 31GS7; 30GKS7; 25GKS7 CARRIAGE 4 PARTS			
No.	Item No.	Description	Pcs.
1	30301240095	Nut M8DIN6923	6
2	L30GS7.20.00.07	Battery Cover	1
3	L30GS7.20.00.08	Threaded bolts	2
4	4.1 30313000219	DC20-12 Battery	1
	4.2 30313000571	Cable for Battery	2
	4.3 30311000873	Battery Post Cover Black	1
	4.4 30311000874	Battery Post Cover Red	1
5	30301230243	Screw M6X16ISO7380F	8
6	30301240098	Nut M6DIN6923	8
7	L30GS7.21.00.00-K	Frame-K	1
8	L30GS7.20.10.00	Propane bottle base	1
9	V32GX-14.00.04	Washer	2
10	30313000308	CO2 Analyzer	1
11	30301230327	Screw M4X50DIN912	2

1.26.2 LAVINA® 30GS7; 25GS7 CARRIAGE 4 PARTS			
No.	Item No.	Description	Pcs.
1	30301240095	Nut M8DIN6923	6
2	L30GS7.20.00.07	Battery Cover	1
3	L30GS7.20.00.08	Threaded bolts	2
4	4.1 30313000220	12V Battery	1
	4.2 30313000061	Cable for Grinding head	1
	4.3 30313000062	Cable for Battery	1
5	30301230243	Screw M6X16ISO7380F	8
6	30301240098	Nut M6DIN6923	8
7	L30GS7.21.00.00-K	Frame-K	1
8	L30GS7.20.10.00	Propane bottle base	1
9	V32GX-14.00.04	Washer	2
10	30313000308	CO2 Analyzer	1
11	30301230327	Screw M4X50DIN912	2