

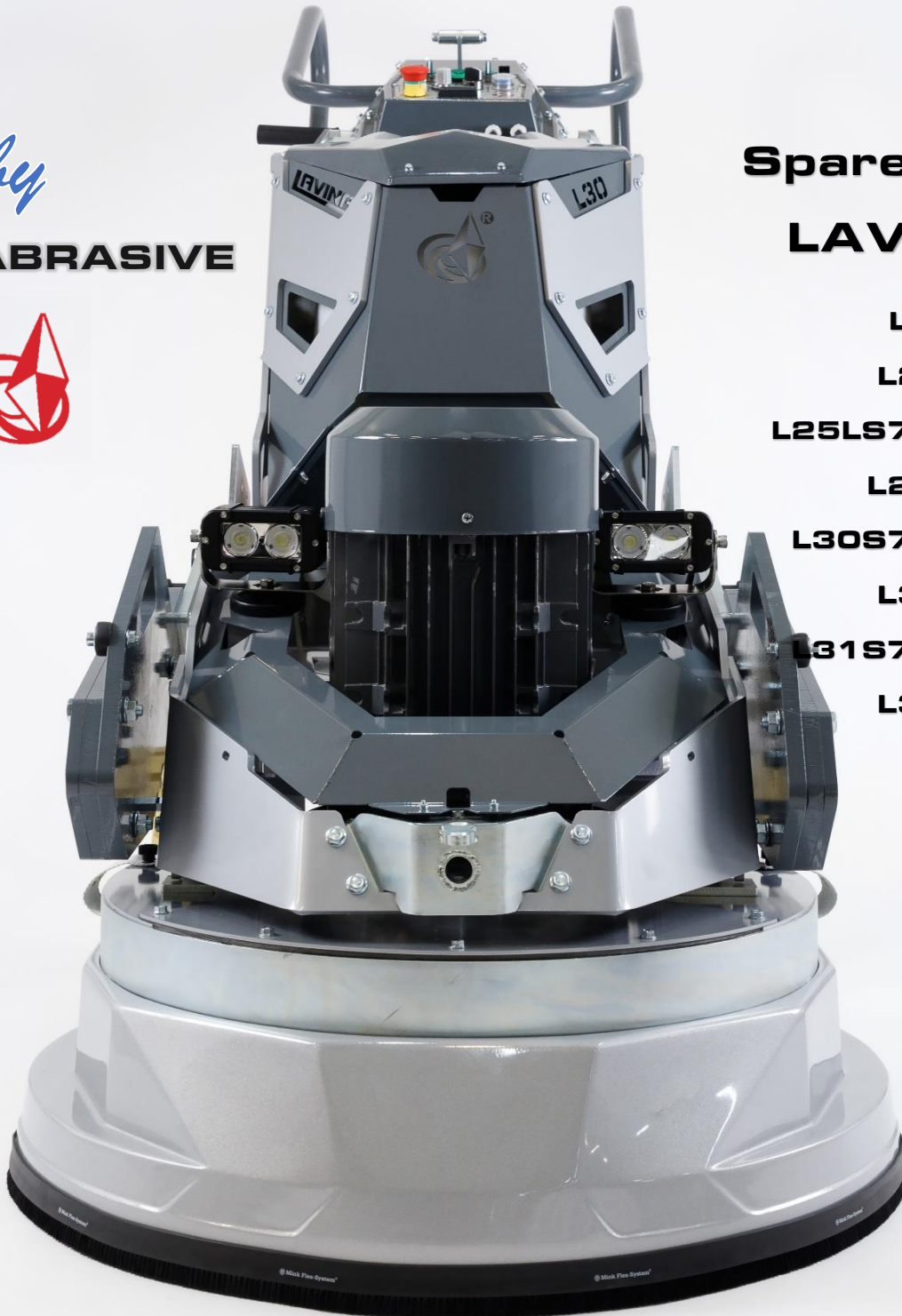
LAVINA®

SERIES

7

by

SUPERABRASIVE



Spare Parts

LAVINA®

L25S7

L25ES7

L25LS7/L25LHVS7

L25LES7

L30S7/L30HVS7

L30ES7

L31S7/L31HVS7

L31ES7

1.1 GENERAL PARTS

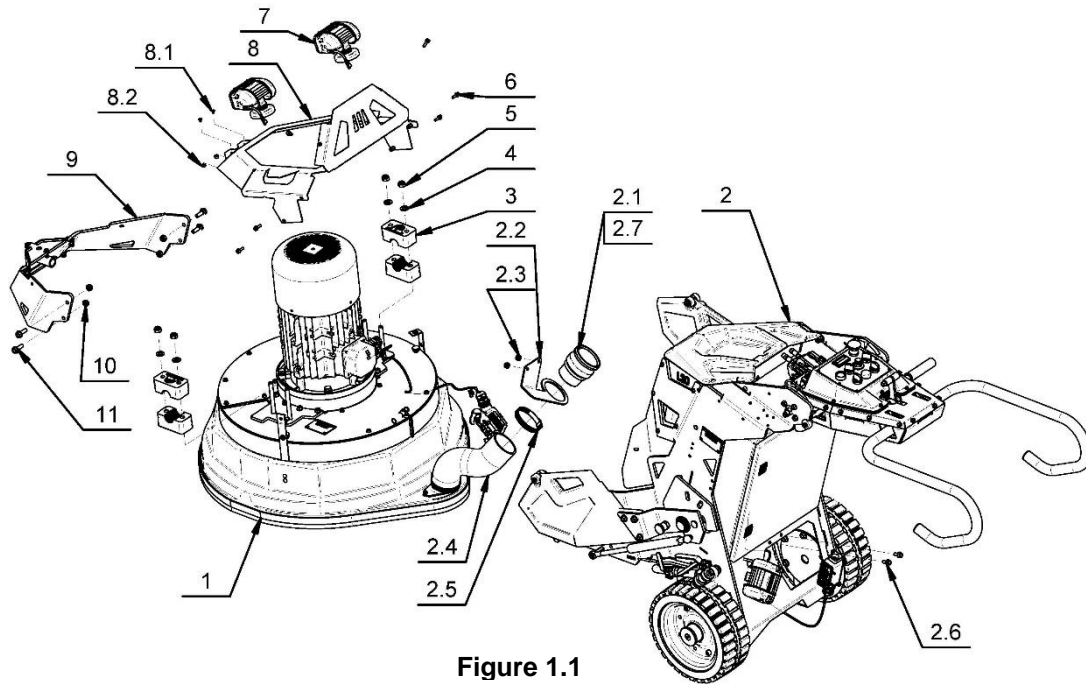


Figure 1.1

1.1.1 LAVINA® 30S7 General parts				
Figure 1.1				
No.	Item No.	Description	Pcs.	
1	L30S7.10.00.00-1	Main Head	1	
2	L30S7.20.00.00	Carriage	1	
	2.1	L30GS7.20.00.06	Camlock Fitting	1
	2.2	L30GS7.20.00.09	Carrier for Camlock	1
	2.3	30301240095	Nut M8DIN6923	2
	2.4	L30GS7.20.00.15	Soft Vacuum Hose	1
	2.5	30308000409	Clamp 70_90DIN3017	2
	2.6	30301210031	Bolt M8x20DIN6921	2
3	L30GS7.00.00.02	Head carrier	4	
4	30301240111	Nut M12DIN985	4	
5	30301221006	WasherM12DIN125A	4	
6	30301210117	Bolt M6x20DIN6921	4	
7	A110.00.00	LED Light	2	
8	L31S7.00.10.00	Front cover	1	
	8.1	30301230323	Screw M4X6ISO7380F	2
	8.2	30329000068	Retaining magnet	2
9	L30GS7.30.00.00	Front bumper set	1	
10	30301240092	Nut M10DIN985	4	
11	30301210119	Bolt M10x30DIN6921	4	

1.1.2 LAVINA® 30HVS7 General parts				
Figure 1.1				
No.	Item No.	Description	Pcs.	
1	L30HVS7.10.00.00-1	Main Head	1	
2	L30HVS7.20.00.00	Carriage	1	
	2.1	L30GS7.20.00.06	Camlock Fitting	1
	2.2	L30GS7.20.00.09	Carrier for Camlock	1
	2.3	30301240095	Nut M8DIN6923	2
	2.4	L30GS7.20.00.15	Soft Vacuum Hose	1
	2.5	30308000409	Clamp 70_90DIN3017	2
	2.6	30301210031	Bolt M8x20DIN6921	2
3	L30GS7.00.00.02	Head carrier	4	
4	30301240111	Nut M12DIN985	4	
5	30301221006	WasherM12DIN125A	4	
6	30301210117	Bolt M6x20DIN6921	6	
7	A110.00.00	LED Light	2	
8	L31S7.00.10.00	Front cover	1	
	8.1	30301230323	Screw M4X8ISO7380F	2
	8.2	30329000068	Retaining magnet	2
9	L30GS7.30.00.00	Front bumper set	1	
10	30301240092	Nut M10DIN985	4	
11	30301210119	Bolt M10x30DIN6921	4	

1.1.3 LAVINA® 30ES7 General parts				
Figure 1.1				
No.	Item No.	Description	Pcs	
1	L30HVS7.10.00.00-1	Main Head	1	
2	L30ES7.20.00.00	Carriage	1	
	2.1	L30GS7.20.00.06	Camlock Fitting	1
	2.2	L30GS7.20.00.09	Carrier for Camlock	1
	2.3	30301240095	Nut M8DIN6923	2
	2.4	L30GS7.20.00.15	Soft Vacuum Hose	1
	2.5	30308000409	Clamp 70_90DIN3017	2
	2.6	30301210031	Bolt M8x20DIN6921	2
3	L30GS7.00.00.02	Head carrier	4	
4	30301240111	Nut M12DIN985	4	
5	30301221006	WasherM12DIN125A	4	
6	30301210117	Bolt M6x20DIN6921	4	
7	A110.00.00	LED Light	2	
8	L31S7.00.10.00	Front cover	1	
	8.1	30301230323	Screw M4X6ISO7380F	2
	8.2	30329000068	Retaining magnet	2
9	L30GS7.30.00.00	Front bumper set	1	
10	30301240092	Nut M10DIN985	4	
11	30301210119	Bolt M10x30DIN6921	4	

1.1.4 LAVINA® 25S7 General parts				
Figure 1.1				
No.	Item No.	Description	Pcs.	
1	L25S7.10.00.00-1	Main Head	1	
2	L25S7.20.00.00	Carriage	1	
	2.1	L25GS7.20.00.06	Camlock Fitting	1
	2.2	L30GS7.20.00.09	Carrier for Camlock	1
	2.3	30301240095	Nut M8DIN6923	2
	2.4	L30GS7.20.00.15	Soft Vacuum Hose	1
	2.5	30308000409	Clamp 70_90DIN3017	2
	2.6	30301210031	Bolt M8x20DIN6921	2
	2.7	L25GS7.20.00.01	Conversion	1
3	L30GS7.00.00.02	Head carrier	4	
4	30301240111	Nut M12DIN985	4	
5	30301221006	WasherM12DIN125A	4	
6	30301210117	Bolt M6x20DIN6921	6	
7	A110.00.00	LED Light	2	
8	L30S7.20.20.00	Front cover	1	
	8.1	30301230323	Screw M4X6ISO7380F	2
	8.2	30329000068	Retaining magnet	2
9	L30GS7.30.00.00	Front bumper set	1	
10	30301240092	Nut M10DIN985	4	
11	30301210119	Bolt M10x30DIN6921	4	

1.1.5 LAVINA® 25ES7 General parts				
Figure 1.1				
No.	Item No.	Description	Pcs.	
1	L25ES7.10.00.00-1	Main Head	1	
2	L25ES7.20.00.00	Carriage	1	
	2.1	L25GS7.20.00.06	Camlock Fitting	1
	2.2	L30GS7.20.00.09	Carrier for Camlock	1
	2.3	30301240095	Nut M8DIN6923	2
	2.4	L30GS7.20.00.15	Soft Vacuum Hose	1
	2.5	30308000409	Clamp 70_90DIN3017	2
	2.6	30301210031	Bolt M8x20DIN6921	2
	2.7	L25GS7.20.00.01	Conversion	1
3	L30GS7.00.00.02	Head carrier	4	
4	30301240111	Nut M12DIN985	4	
5	30301221006	WasherM12DIN125A	4	
6	30301210117	Bolt M6x20DIN6921	6	
7	A110.00.00	LED Light	2	
8	L30S7.20.20.00	Front cover	1	
	8.1	30301230323	Screw M4X6ISO7380F	2
	8.2	30329000068	Retaining magnet	2
9	L30GS7.30.00.00	Board front L30G set	1	
10	30301240092	Nut M10DIN985	4	
11	30301210119	Bolt M10x30DIN6921	4	

1.1.6 LAVINA® 25LS7 General parts				
Figure 1.1				
No.	Item No.	Description	Pcs.	
1	L25LS7.10.00.00-2	Main Head	1	
2	L25LS7.20.00.00	Carriage	1	
	2.1	L25GS7.20.00.06	Camlock Fitting	1
	2.2	L30GS7.20.00.09	Carrier for Camlock	1
	2.3	30301240095	Nut M8DIN6923	2
	2.4	L30GS7.20.00.15	Soft Vacuum Hose	1
	2.5	30308000409	Clamp 70_90DIN3017	2
	2.6	30301210031	Bolt M8x20DIN6921	2
	2.7	L25GS7.20.00.01	Conversion	1
3	L30GS7.00.00.02	Head carrier	4	
4	30301240111	Nut M12DIN985	4	
5	30301221006	WasherM12DIN125A	4	
6	30301210117	Bolt M6x20DIN6921	6	
7	A110.00.00	LED Light	2	
8	L30S7.20.20.00	Front cover	1	
	8.1	30301230323	Screw M4X6ISO7380F	2
	8.2	30329000068	Retaining magnet	2
9	L30GS7.30.00.00	Board front L30G set	1	
10	30301240092	Nut M10DIN985	4	
11	30301210119	Bolt M10x30DIN6921	4	

1.1.7 LAVINA® 25LHVS7 General parts				
Figure 1.1				
No.	Item No.	Description	Pcs	
1	L25LHVS7.10.00.00-2	Main Head	1	
2	L25LHVS7.20.00.00	Carriage	1	
	2.1	L25GS7.20.00.06	Camlock Fitting	1
	2.2	L30GS7.20.00.09	Carrier for Camlock	1
	2.3	30301240095	Nut M8DIN6923	2
	2.4	L30GS7.20.00.15	Soft Vacuum Hose	1
	2.5	30308000409	Clamp 70_90DIN3017	2
	2.6	30301210031	Bolt M8x20DIN6921	2
	2.7	L25GS7.20.00.01	Conversion	1
3	L30GS7.00.00.02	Head carrier	4	
4	30301240111	Nut M12DIN985	4	
5	30301221006	WasherM12DIN125A	4	
6	30301210117	Bolt M6x20DIN6921	6	
7	A110.00.00	LED Light	2	
8	L30S7.20.20.00	Front cover	1	
	8.1	30301230323	Screw M4X6ISO7380F	2
	8.2	30329000068	Retaining magnet	2
9	L30GS7.30.00.00	Front bumper set	1	
10	30301240092	Nut M10DIN985	4	
11	30301210119	Bolt M10x30DIN6921	4	

1.1.8 LAVINA® 25LES7 General parts				
Figure 1.1				
No.	Item No.	Description	Pcs	
1	L25LES7.10.00.00-2	Main Head	1	
2	L25LES7.20.00.00	Carriage	1	
	2.1	L25GS7.20.00.06	Camlock Fitting	1
	2.2	L30GS7.20.00.09	Carrier for Camlock	1
	2.3	30301240095	Nut M8DIN6923	2
	2.4	L30GS7.20.00.15	Soft Vacuum Hose	1
	2.5	30308000409	Clamp 70_90DIN3017	2
	2.6	30301210031	Bolt M8x20DIN6921	2
	2.7	L25GS7.20.00.01	Conversion	1
3	L30GS7.00.00.02	Head carrier	4	
4	30301240111	Nut M12DIN985	4	
5	30301221006	WasherM12DIN125A	4	
6	30301210117	Bolt M6x20DIN6921	6	
7	A110.00.00	LED Light	2	
8	L30S7.20.20.00	Front cover	1	
	8.1	30301230323	Screw M4X6ISO7380F	2
	8.2	30329000068	Retaining magnet	2
9	L30GS7.30.00.00	Front bumper set	1	
10	30301240092	Nut M10DIN985	4	
11	30301210119	Bolt M10x30DIN6921	4	

1.1.9 LAVINA® 31S7 General parts				
Figure 1.1				
No.	Item No.	Description	Pcs	
1	L31S7.10.00.00	Main Head	1	
2	L31S7.20.00.00	Carriage	1	
	2.1	L30GS7.20.00.06	Camlock Fitting	1
	2.2	L30GS7.20.00.09	Carrier for Camlock	1
	2.3	30301240095	Nut M8DIN6923	2
	2.4	L30GS7.20.00.15	Soft Vacuum Hose	1
	2.5	30308000409	Clamp 70_90DIN3017	2
	2.6	30301210031	Bolt M8x20DIN6921	2
3	L30GS7.00.00.02	Head carrier	4	
4	30301240111	Nut M12DIN985	4	
5	30301221006	WasherM12DIN125A	4	
6	30301210117	Bolt M6x20DIN6921	4	
7	A110.00.00	LED Light	2	
8	L31S7.00.10.00	Front cover	1	
	8.1	30301230323	Screw M4X6ISO7380F	2
	8.2	30329000068	Retaining magnet	2
9	L30GS7.30.00.00	Front bumper set	1	
10	30301240092	Nut M10DIN985	4	
11	30301210119	Bolt M10x30DIN6921	4	

1.1.10 LAVINA® 31HVS7 General parts				
Figure 1.1				
No.	Item No.	Description	Pcs	
1	L31HVS7.10.00.00	Main Head	1	
2	L31HVS7.20.00.00	Carriage	1	
	2.1	L30GS7.20.00.06	Camlock Fitting	1
	2.2	L30GS7.20.00.09	Carrier for Camlock	1
	2.3	30301240095	Nut M8DIN6923	2
	2.4	L30GS7.20.00.15	Soft Vacuum Hose	1
	2.5	30308000409	Clamp 70_90DIN3017	2
	2.6	30301210031	Bolt M8x20DIN6921	2
3	L30GS7.00.00.02	Head carrier	4	
4	30301240111	Nut M12DIN985	4	
5	30301221006	WasherM12DIN125A	4	
6	30301210117	Bolt M6x20DIN6921	6	
7	A110.00.00	LED Light	2	
8	L31S7.00.10.00	Front cover	1	
	8.1	30301230323	Screw M4X6ISO7380F	2
	8.2	30329000068	Retaining magnet	2
9	L30GS7.30.00.00	Front bumper set	1	
10	30301240092	Nut M10DIN985	4	
11	30301210119	Bolt M10x30DIN6921	4	

1.1.11 LAVINA® 31ES7 General parts				
Figure 1.1				
No.	Item No.	Description	Pcs	
1	L31HVS7.10.00.00	Main Head	1	
2	L31ES7.20.00.00	Carriage	1	
	2.1	L30GS7.20.00.06	Camlock Fitting	1
	2.2	L30GS7.20.00.09	Carrier for Camlock	1
	2.3	30301240095	Nut M8DIN6923	2
	2.4	L30GS7.20.00.15	Soft Vacuum Hose	1
	2.5	30308000409	Clamp 70_90DIN3017	2
	2.6	30301210031	Bolt M8x20DIN6921	2
3	L30GS7.00.00.02	Head carrier	4	
4	30301240111	Nut M12DIN985	4	
5	30301221006	WasherM12DIN125A	4	
6	30301210117	Bolt M6x20DIN6921	4	
7	A110.00.00	LED Light	2	
8	L31S7.00.10.00	Front cover	1	
	8.1	30301230323	Screw M4X6ISO7380F	2
	8.2	30329000068	Retaining magnet	2
9	L30GS7.30.00.00	Front bumper set	1	
10	30301240092	Nut M10DIN985	4	
11	30301210119	Bolt M10x30DIN6921	4	

- When requesting Item 3, it is recommended to request Item 4 and Item 5
- When requesting Item 2.1, it is recommended to request Item 2.2 and Item 2.3

1.2 FRONT BUMPER SET

1.2 LAVINA® 30S7; 30HVS7; 30ES7; 25S7; 25ES7; 25LS7; 25LHVS7; 25LES7; 31S7; 31HVS7; 31ES7 Front bumper set				
Figure 1.2				
Item No. L30GS7.30.00.00				
No.	Item No.	Description	Pcs.	
1	L30GS7.30.00.01	Front Bumper	1	
2	L30GS7.30.10.00	Third wheel base	1	
3	L30GS7.30.00.02	Plate	1	
4	30301240095	Nut M8DIN6923	4	
5	30301210032	Bolt M8X35DIN6921	4	

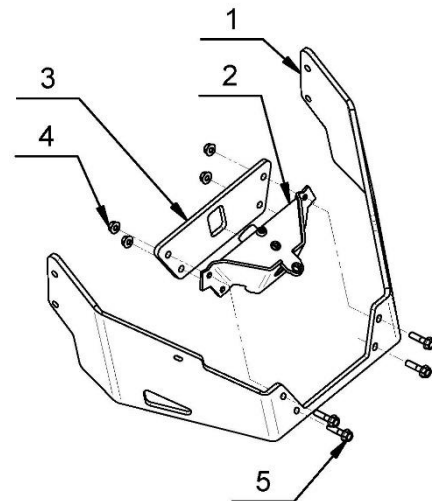


Figure 1.2

1.3 ENGINE BASE PARTS

1.3.1 LAVINA® 25S7 ENGINE BASE PARTS			
Figure 1.3			
No.	Item No.	Description	Pcs.
1	30301210029	Screw M12X80DIN931	4
2	30301220005	Washer M12DIN127B	4
3	30301221006	Washer M12DIN125A	4
4	L25S7.18.00.00-1	Electric motor assembly	1
5	30331000010	Elastic element	1
6	D4X2X800	Seal	2
7	L30S7.10.00.02	Distance Ring	1
8	L25GS710.70.00	Guard Assembly	1

1.3.2 LAVINA® 25ES7 ENGINE BASE PARTS			
Figure 1.3			
No.	Item No.	Description	Pcs.
1	30301210029	Screw M12X80DIN931	4
2	30301220005	Washer M12DIN127B	4
3	30301221006	Washer M12DIN125A	4
4	L25ES7.18.00.00-1	Electric motor assembly	1
5	30331000010	Elastic element	1
6	D4X2X800	Seal	2
7	L30S7.10.00.02	Distance Ring	1
8	L25GS710.70.00	Guard Assembly	1

1.3.3 LAVINA® 25LS7 ENGINE BASE PARTS			
Figure 1.3.1			
No.	Item No.	Description	Pcs.
1	30301210019	Screw M16X35DIN933	4
2	30301220006	Washer M16DIN127B	4
3	30301221008	Washer M16DIN125A	4
4	L30S7.18.00.00-1	Electric motor assembly	1
5	30331000010	Elastic element	1
6	D4X2X865	Seal	1
7	30301210061	Bolt M12X25DIN6921	4
8	L31S7.10.10.00	Distance Ring	1
9	D4X2X800	Seal	1
10	L25GS710.70.00	Guard Assembly	1

1.3.4 LAVINA® 25LHVS7; 25LES7 ENGINE BASE PARTS			
Figure 1.3.1			
No.	Item No.	Description	Pcs.
1	30301210019	Screw M16X35DIN933	4
2	30301220006	Washer M16DIN127B	4
3	30301221008	Washer M16DIN125A	4
4	L30HVS7.18.00.00-1	Electric motor assembly	1
5	30331000010	Elastic element	1
6	D4X2X865	Seal	1
7	30301210061	Bolt M12X25DIN6921	4
8	L31S7.10.10.00	Distance Ring	1
9	D4X2X800	Seal	1
10	L25GS710.70.00	Guard Assembly	1

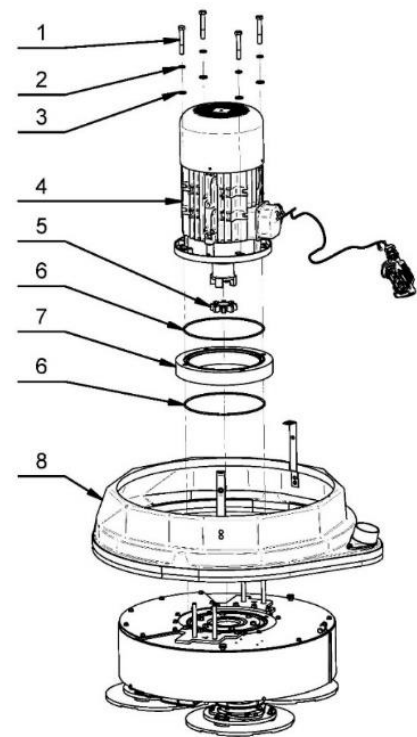


Figure 1.3

1.3.5 LAVINA® 30S7 ENGINE BASE PARTS			
Figure 1.3.1			
No.	Item No.	Description	Pcs.
1	30301210019	Screw M16X35DIN933	4
2	30301220006	Washer M16DIN127B	4
3	30301221008	Washer M16DIN125A	4
4	L30S7.18.00.00-1	Electric motor assembly	1
5	30331000010	Elastic element	1
6	D4X2X865	Seal	1
7	30301210061	Bolt M12X25DIN6921	4
8	L31S7.10.10.00	Distance Ring	1
9	D4X2X800	Seal	1
10	L30GS7.10.70.00	Guard Assembly	1

1.3.6 LAVINA® 30HVS7; 30ES7 ENGINE BASE PARTS			
Figure 1.3.1			
No.	Item No.	Description	Pcs.
1	30301210019	Screw M16X35DIN933	4
2	30301220006	Washer M16DIN127B	4
3	30301221008	Washer M16DIN125A	4
4	L30HVS7.18.00.00-1	Electric motor assembly	1
5	30331000010	Elastic element	1
6	D4X2X865	Seal	1
7	30301210061	Bolt M12X25DIN6921	4
8	L31S7.10.10.00	Distance Ring	1
9	D4X2X800	Seal	1
10	L30GS7.10.70.00	Guard Assembly	1

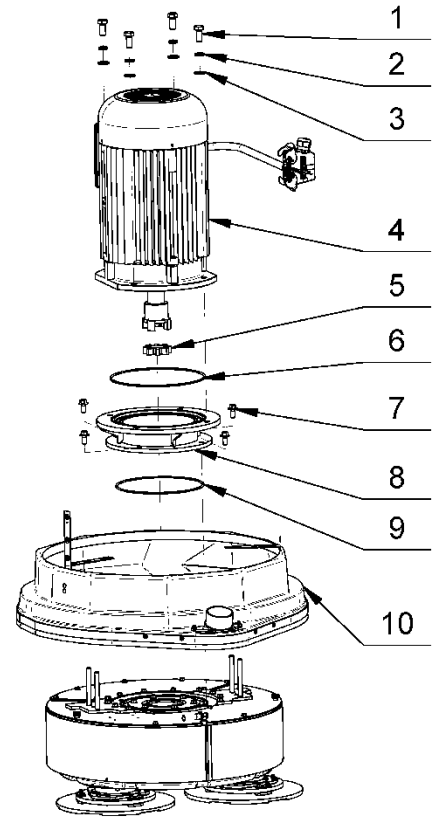


Figure 1.3.1

1.3.7 LAVINA® 31S7 ENGINE BASE PARTS			
Figure 1.3.1			
No.	Item No.	Description	Pcs.
1	30301210019	Screw M16X35DIN933	4
2	30301220006	Washer M16DIN127B	4
3	30301221008	Washer M16DIN125A	4
4	L31S7.18.00.00	Electric motor assembly	1
5	30331000010	Elastic element	1
6	D4X2X865	Seal	1
7	30301210061	Bolt M12X25DIN6921	4
8	L31S7.10.10.00	Distance Ring	1
9	D4X2X800	Seal	1
10	L30GS7.10.70.00	Guard Assembly	1

1.3.8 LAVINA® 31HVS7; 31ES7 ENGINE BASE PARTS			
Figure 1.3.1			
No.	Item No.	Description	Pcs.
1	30301210019	Screw M16X35DIN933	4
2	30301220006	Washer M16DIN127B	4
3	30301221008	Washer M16DIN125A	4
4	L31HVS7.18.00.00	Electric motor assembly	1
5	30331000010	Elastic element	1
6	D4X2X865	Seal	1
7	30301210061	Bolt M12X25DIN6921	4
8	L31S7.10.10.00	Distance Ring	1
9	D4X2X800	Seal	1
10	L30GS7.10.70.00	Guard Assembly	1

1.4 ELECTRIC MOTOR ASSEMBLY

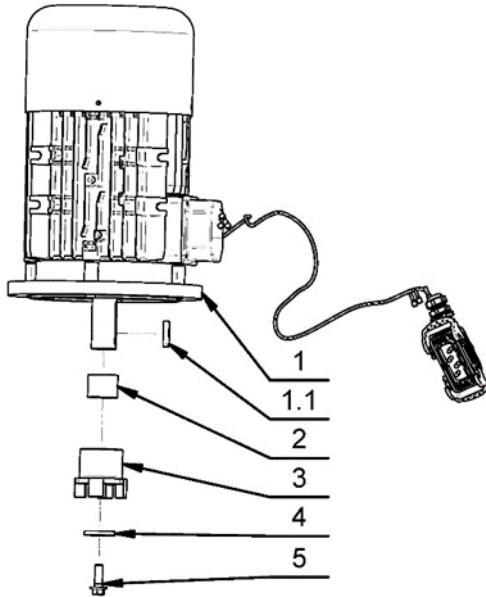


Figure 1.4

1.4.1 LAVINA® 25LS7; 30S7
Electric motor assembly

Item No. L30S7.18.00.00-1

Figure 1.4			
No.	Item No.	Description	Pcs.
1	A122.00.00.00	Electric motor	1
1.1	L30S7.18.00.04	Key 12X8X39DIN6885	
2	L31S7.18.00.03	Spacer	1
3	L31S7.18.00.01	Coupling B	1
4	L31S7.18.00.02	Washer	1
5	30301210136	Bolt M16X40DIN6921	1

1.4.2 LAVINA® 25LHVS7; 25LES7; 30HVS7; 30ES7
Electric motor assembly

Item No. L30HVS7.18.00.00-1

Figure 1.4			
No.	Item No.	Description	Pcs.
1	A127.00.00.00	Electric motor	1
1.1	L30S7.18.00.04	Key 12X8X39DIN6885	
2	L31S7.18.00.03	Spacer	1
3	L31S7.18.00.01	Coupling B	1
4	L31S7.18.00.02	Washer	1
5	30301210136	Bolt M16X40DIN6921	1

1.4.4 LAVINA® 25ES7
Electric motor assembly

Item No. L25ES7.18.00.00

Figure 1.4			
No.	Item No.	Description	Pcs.
1	A107.00.00.00-1	Electric motor	1
1.1	30301260061	Key 10X8X40DIN6885	1
2	L30S7.18.00.03	Spacer	1
3	L30S7.18.00.01	Coupling B	1
4	L30S7.18.00.02	Washer	1
5	30301210112	Bolt M12X35DIN6921	1

1.4.3 LAVINA® 25S7
Electric motor assembly

Item No. L25S7.18.00.00

Figure 1.4			
No.	Item No.	Description	Pcs.
1	A107.00.00.00-1	Electric motor	1
1.1	30301260061	Key 10X8X40DIN6885	1
2	L30S7.18.00.03	Spacer	1
3	L30S7.18.00.01	Coupling B	1
4	L30S7.18.00.02	Washer	1
5	30301210112	Bolt M12X35DIN6921	1

1.4.5 LAVINA® 31S7			
Electric motor assembly			
Item No. L31S7.18.00.00			
Figure 1.4			
No.	Item No.	Description	Pcs.
1	A117.00.00.00	Electric motor	1
1.1	30301260072	Key 12X8X36DIN6885	1
2	L31S7.18.00.03	Spacer	1
3	L31S7.18.00.01	Coupling B	1
4	L31S7.18.00.02	Washer	1
5	30301210136	Bolt M16X40DIN6921	1

1.4.6 LAVINA® 31HVS7; 31ES7			
Electric motor assembly			
Item No. L31HVS7.18.00.00			
Figure 1.4			
No.	Item No.	Description	Pcs.
1	A119.00.00.00	Electric motor	1
1.1	30301260072	Key 12X8X36DIN6885	1
2	L31S7.18.00.03	Spacer	1
3	L31S7.18.00.01	Coupling B	1
4	L31S7.18.00.02	Washer	1
5	30301210136	Bolt M16X40DIN6921	1

1.5 GUARD ASSEMBLY

1.5.1 LAVINA® 30S7; 30HVS7; 30ES7; 31S7; 31HVS7; 31ES7			
Guard Assembly			
Item No. L30GS7.10.70.00			
Figure 1.5			
No.	Item No.	Description	Pcs.
1	L30GS7.10.71.00-K	Restriction strip set	2
2	30301240103	Nut M6DIN985	2
3	L30GS7.10.70.02	Vacuum Port	1
4	30301210117	Bolt M6x20DIN6921	2
5	FBL1350-2650-K	Brush set	1

1.5.2 LAVINA® 25S7; 25ES7; 25LS7; 25LHVS7; 25LES7

Guard Assembly			
Item No. L25GS7.10.70.00			
Figure 1.5			
No.	Item No.	Description	Pcs.
1	L30GS7.10.71.00-K	Restriction strip set	2
2	30301240103	Nut M6DIN985	2
3	L30GS7.10.70.02	Vacuum Port	1
4	30301210117	Bolt M6x20DIN6921	2
5	FBL1350-2350-K	Brush set	1

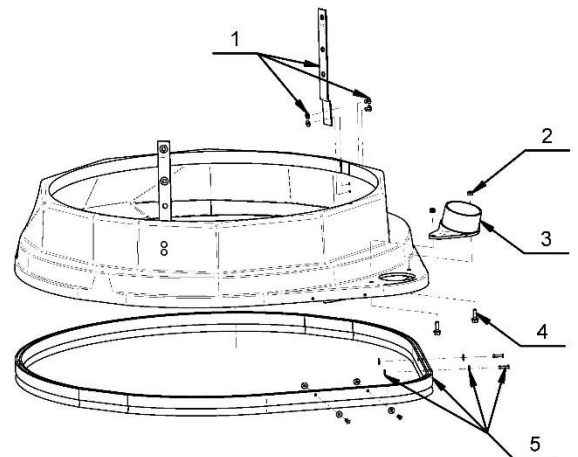


Figure 1.5

1.6 TOP COVER

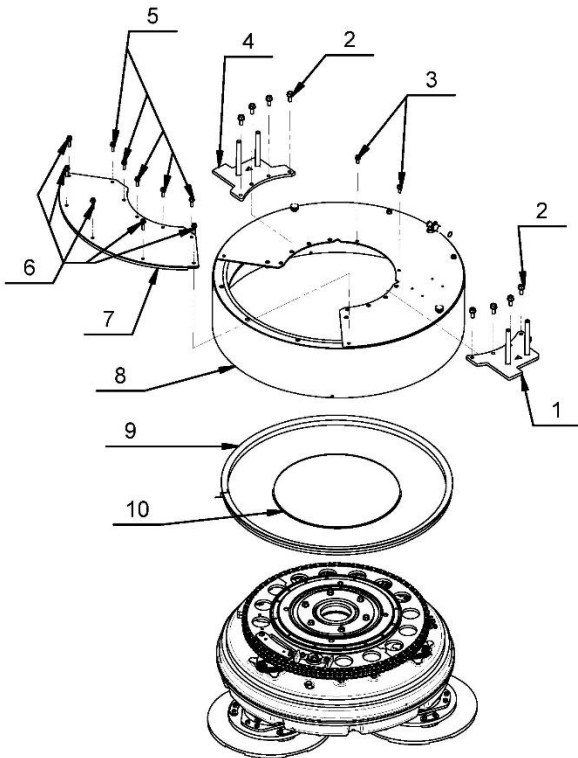


Figure 1.6

1.6. LAVINA®30S7; 30HVS7; 30ES7; 31S7; 31HVS7; 31ES7; 25S7; 25ES7; 25LS7; 25LHVS7; 25LES7; TOP COVER			
Figure 1.6			
No.	Item No.	Description	Pcs.
1	L30S7.10.02.00	Left Fork	1
2	30301210031	Bolt M8X20DIN6921	8
3	30301210051	Bolt M6X16DIN6921	2
4	L30S7.10.01.00	Right Fork	1
5	30301210117	Bolt M6X20DIN6921	5
6	30301210107	Bolt M6X25DIN6921	5
7	L30GS7.10.04.00	Inspection Cover	1
8	L30GS7.11.00.00	Top Cover Assembly	1
9	30302000049	V-Ring Type A	1
10	D4X2X1070	Seal	1

1.7 TOP COVER ASSEMBLY

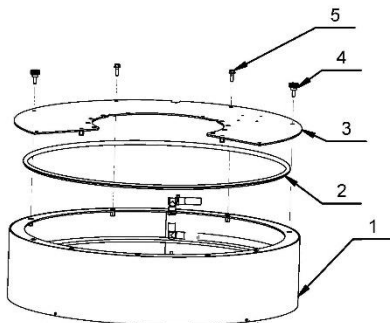


Figure 1.7

1.7 LAVINA® 30S7; 30HVS7; 30ES7; 31S7; 31HVS7; 31ES7; 25S7; 25ES7; 25LS7; 25LHVS7; 25LES7 COVER Assembly			
Item No. L30GS7.11.00.00			
Figure 1.7			
No.	Item No.	Description	Pcs.
1	L30GS7.11.21.00-K	Top Cover	1
2	PP-011.194.5	Sealer	1
3	L30GS7.11.10.00	Cover	1
4	30329000041	Knob Bolt M6X20	2
5	30301210117	Bolt M6x20DIN6921	2

1.8 PLANETARY DRIVE PARTS

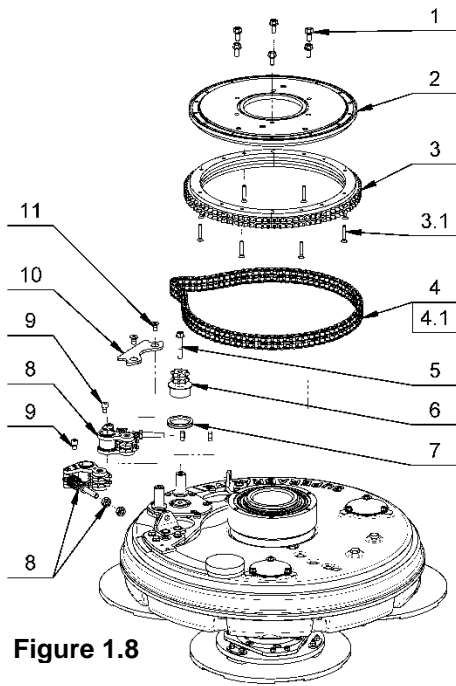


Figure 1.8

1.8 LAVINA® 30S7; 30HVS7; 30ES7; 31S7; 31HVS7; 31ES7; 25S7; 25ES7; 25LS7; 25LHVS7; 25LES7 PLANETARY DRIVE PARTS				
Figure 1.8				
No.	Item No.	Description	Pcs.	
1	30301210031	Bolt M8x20DIN6921	6	
2	L30S7.10.11.00	Base plate	1	
3	A115.20.00.00-K	Sprocket set	1	
	3.1	30301230329	Screw M6X35DIN7991	
		30301230329	6	
4	08B-2-95-OL	Chain	1	
	4.1	30312000028	Chain link	
		30312000028	1	
5	30301210144	Bolt M8X50DIN6921	1	
6	L30GS7.10.00.27	Sprocket	1	
7	30302000010	V-Ring Type A	1	
8	L30GS7.15.00.00	Chain tensioner	2	
9	30301230300	Screw M8X12DIN912	2	
10	L30GS7.10.00.28	Sector	1	
11	30301230056	Screw M8X16DIN7991	2	

1.8.1 LAVINA® 31GS7; 30GKS7; 30GS7; 25GKS7; 25GS7 Chain tensioner				
Item No. L30GS7.15.00.00				
No.	Item No.	Description	Pcs.	
1	30301230013	Screw M6X12DIN7991	4	
2	L30GS7.14.00.02	Top plate	1	
3	L30GS7.14.10.00	Base assembly	1	
	3.1	30303000102	Slide bearing	
		30303000102	2	
4	L30GS7.15.00.01	Axle	1	
5	30301250003	Retaining Ring	2	
6	L30GS7.14.02.00	Sprocket Set	1	
7	L30GS7.14.00.01	Axle	1	
8	L30GS7.14.00.03	Springs	1	
9	L30GS7.14.03.00	Capstan screws	1	
10	30301240099	Nut M10DIN934	2	

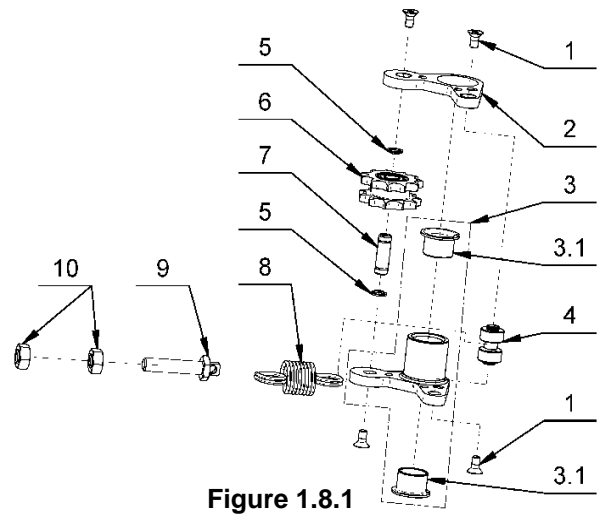


Figure 1.8.1

1.9 BOTTOM COVER 1 PARTS

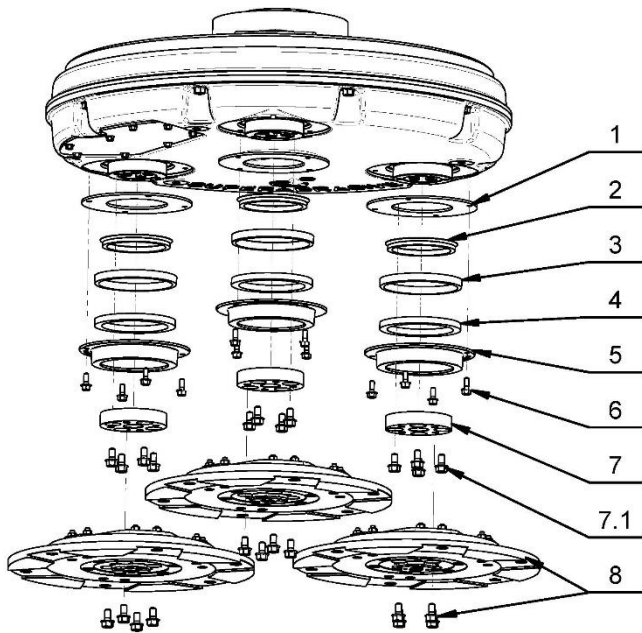


Figure 1.9

1.9.1 LAVINA® 30S7; 30HVS7; 30ES7; 31S7; 31HVS7; 31ES7; BOTTOM COVER 1 PARTS

Figure 1.9

No.	Item No.	Description	Pcs.
1	L30GS7.10.00.05	Pad	3
2	30302000005	V-Ring Type A	3
3	L30GS7.10.00.04	Ring	3
4	30309000000	Felt Ring	3
5	L30GS7.10.00.06	Outer Cover	3
6	30301210051	Bolt M6x16DIN6921	12
7	A42.03.00	Adaptor	3
7.1	30301210072	Bolt M8x16DIN6921	4
8	A64.00.00	Tool Holder A64	3

1.9.2 LAVINA® 25S7; 25ES7; 25LS7; 25LHVS7; 25LES7 BOTTOM COVER 1 PARTS

Figure 1.9

No.	Item No.	Description	Pcs.
1	L30GS7.10.00.05	Pad	3
2	30302000005	V-Ring Type A	3
3	L30GS7.10.00.04	Ring	3
4	30309000000	Felt Ring	3
5	L30GS7.10.00.06	Outer Cover	3
6	30301210051	Bolt M6x16DIN6921	12
7	A42.03.00	Adaptor	3
7.1	30301210072	Bolt M8x16DIN6921	4
8	A63.00.00	Tool Holder A63	3

1.9.1.1 TOOL HOLDER A64

1.9.1.1 LAVINA® 30S7; 30HVS7; 30ES7; 31S7; 31HVS7; 31ES7 TOOL HOLDER A64				
ITEM NO. A64.00.00				
(POS.1 INCLUDE POS.1.1;1.2;1.3/POS.1.3 INCLUDE POS.1.3.1 AND ETC.)				
No.	Item No.	Description	Pcs.	
1	A64.10.00	Quick Change Assembly	1	
	1.1	A63.12.00	Keylock Set	1
	1.2	A43.11.00	Quick Change plate	1
	1.3	A41.12.00	Security set	1
		1.3.1	A41.00.05	Washer A41
2	A25.00.10-K	Buffer with two screw	6	
	2.1	30301230161	Screw M8X12DIN7991/10.9/	12
	2.2	A25.00.10	Buffer	6
3	A41.20.03-K	Driving Set A41	1	
	3.1	A41.20.03	Elastic Element	1
	3.2	30301240124	Self Locking Nut M6DIN980V	12
	3.3	30301230123	Screw M6X30DIN7991/10.9/	6
	3.4	30301230131	Screw M6X40DIN7991/10.9/	6
	3.5	A41.21.00	Set of plates	1
4	30301210072	Bolt M8x16DIN6921	4	
5	A41.20.01	Flange	1	

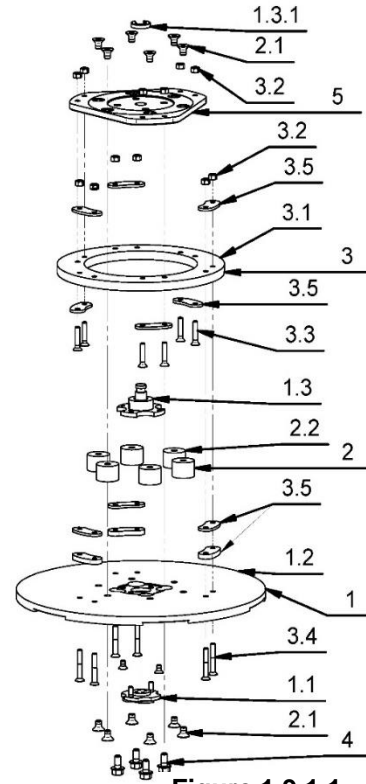


Figure 1.9.1.1

1.9.2.1 TOOL HOLDER A63

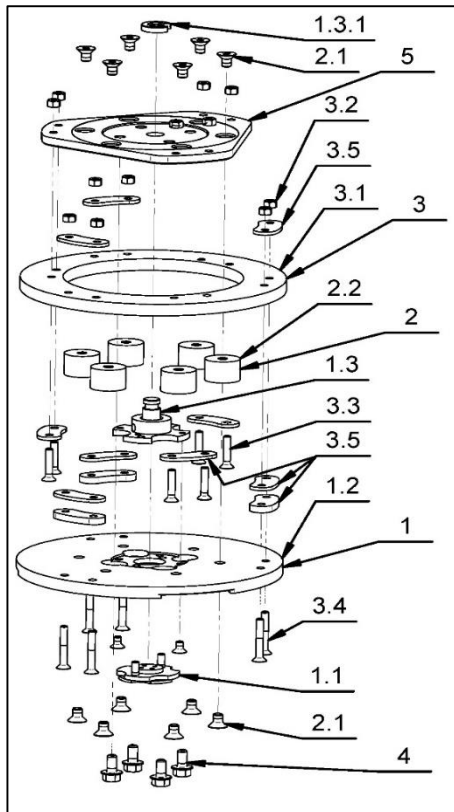


Figure 1.9.2.1

1.9.2.1 LAVINA® 25S7; 25ES7; 25LS7; 25LHVS7; 25LES7 TOOL HOLDER A63				
ITEM NO. A63.00.00				
(POS.1 INCLUDE POS.1.1;1.2;1.3/POS.1.3 INCLUDE POS.1.3.1 and etc.)				
No.	Item No.	Description	Pcs.	
1	A63.10.00	Quick Change Assembly	1	
	1.1	A63.12.00	Keylock Set	1
	1.2	A41.11.00	Quick Change plate	1
	1.3	A41.12.00	Security set	1
		1.3.1	A41.00.05	Washer A41
2	A25.00.10-K	Buffer with two screw	6	
	2.1	30301230161	Screw M8X12DIN7991/10.9/	12
	2.2	A25.00.10	Buffer	6
3	A41.20.03-K	Driving Set A41	1	
	3.1	A41.20.03	Elastic Element	1
	3.2	30301240124	Self Locking Nut M6DIN980V	12
	3.3	30301230123	Screw M6X30DIN7991/10.9/	6
	3.4	30301230131	Screw M6X40DIN7991/10.9/	6
	3.5	A41.21.00	Set of plates	1
4	30301210072	Bolt M8x16DIN6921	4	
5	A41.20.01	Flange	1	

1.10 BOTTOM COVER 2 PARTS

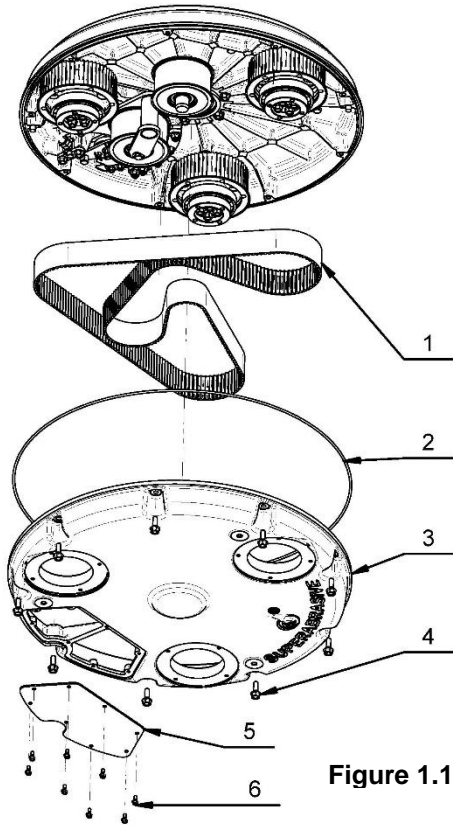


Figure 1.10

1.10 LAVINA® 30S7; 30HVS7; 30ES7; 31S7; 31HVS7; 31ES7; 25S7; 25ES7; 25LS7; 25LHVS7; 25LES7 BOTTOM COVER 2 PARTS			
FIGURE 1.10			
No.	Item No.	Description	Pcs.
1	30308000130	Timing Belt	1
2	D4X2X1950	Seal	1
3	L30GS7.10.00.02-K	Bottom Cover Set	1
4	30301210038	Bolt M8X25DIN6921	9
5	L30GS7.10.03.00	Inspection Cover	1
6	30301210030	Bolt M5X12DIN6921	8

1.11 BOTTOM COVER 3 PARTS

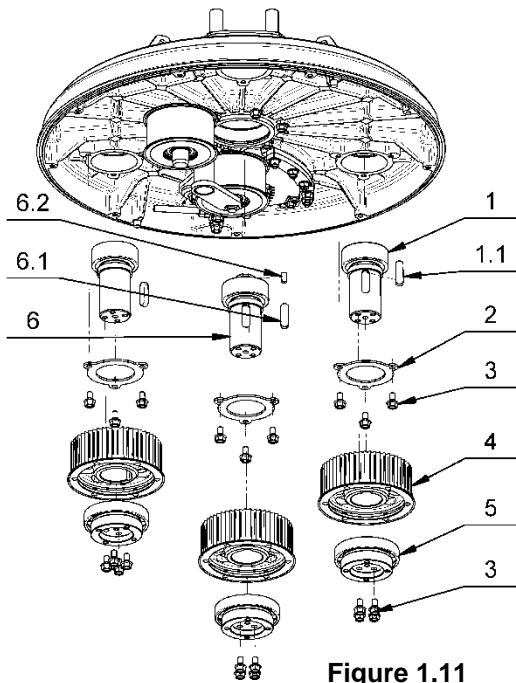


Figure 1.11

1.11. LAVINA® 30S7; 30HVS7; 30ES7; 31S7; 31HVS7; 31ES7; 25S7; 25ES7; 25LS7; 25LHVS7; 25LES7 BOTTOM COVER 3 PARTS			
Figure 1.11			
No.	Item No.	Description	Pcs.
1	L30GS7.10.18.00	Shaft Assembly	2
	1.1 30301260083	Key	1
2	L30GS7.10.00.24	Cover	3
3	30301210072	Bolt M8x16DIN6921	21
4	L30GS7.10.07.00	Pulley	3
5	L30GS7.10.60.00	Bushing bearing set	3
6	L30GS7.10.09.00	Shaft Assembly	1
	6.1 30301260083	Key	1
	6.2 L30GS7.10.09.02	Key	1

1.12 BOTTOM COVER 4 PARTS

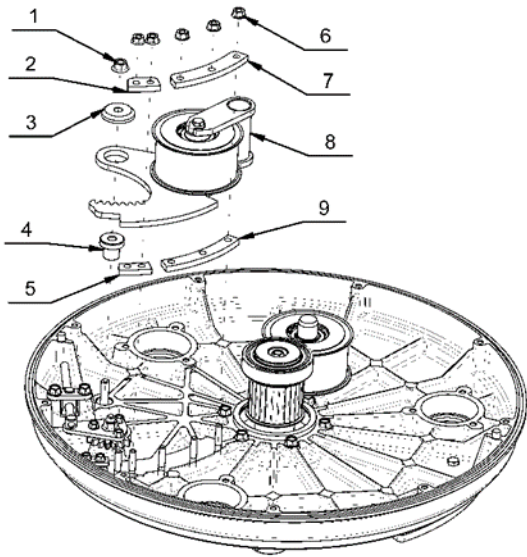


Figure 1.12

**1.12 LAVINA® 30S7; 30HVS7; 30ES7; 31S7; 31HVS7; 31ES7; 25S7; 25ES7; 25LS7; 25LHVS7; 25LES7
BOTTOM COVER 4 PARTS**

FIGURE 1.12			
No.	Item No.	Description	Pcs.
1	30301240084	Nut M10DIN6923	1
2	L30GS7.10.00.20	Sector	1
3	L30GS7.10.00.22	Washer	1
4	L30GS7.10.00.09	Shaft	1
5	L30GS7.10.00.19	Sector	1
6	30301240095	Nut M8DIN6923	5
7	L30GS7.10.00.18	Sector	1
8	L30GS7.12.00.00	Tensioning Support 1	1
9	L30GS7.10.00.17	Sector	1

1.13 BOTTOM COVER 5 PARTS

**1.13 LAVINA® 30S7; 30HVS7; 30ES7; 31S7; 31HVS7; 31ES7; 25S7; 25ES7; 25LS7; 25LHVS7; 25LES7
BOTTOM COVER 5 PARTS**

FIGURE 1.13			
No.	Item No.	Description	Pcs.
1	L30GS7.10.00.09	Shaft	1
2	L30GS7.10.00.08	Sector	1
3	30301210048	Bolt M6X12DIN6921	2
4	L30GS7.10.00.26-K	Tensioning Support 2	1
5	30301240084	Nut M10DIN6923	1
6	L30GS7.10.00.12	Support	1
7	30301210031	Bolt M8x20DIN6921	2
8	L30GS7.10.00.25	Stand	1
9	30301240099	Nut M10DIN934	2
10	30301250006	Retaining Ring	1
11	L30GS7.12.20.00	Deflection Pulley	1
12	L30GS7.10.00.10	Shaft	1
13	30301210096	Bolt M10X25DIN6921	1

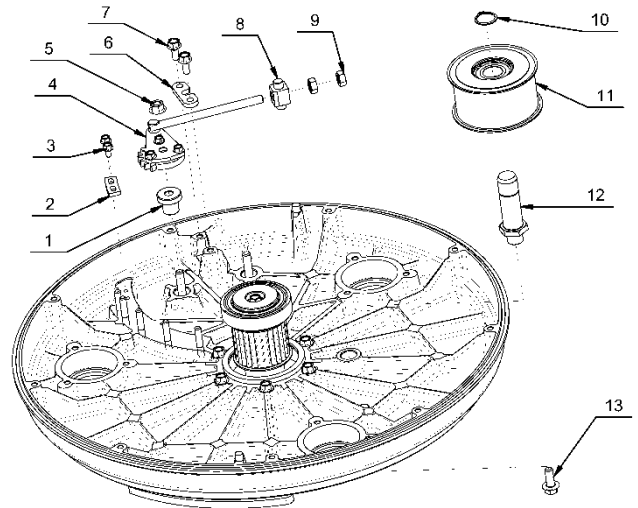


Figure 1.13

1.14 BOTTOM COVER 6 PARTS

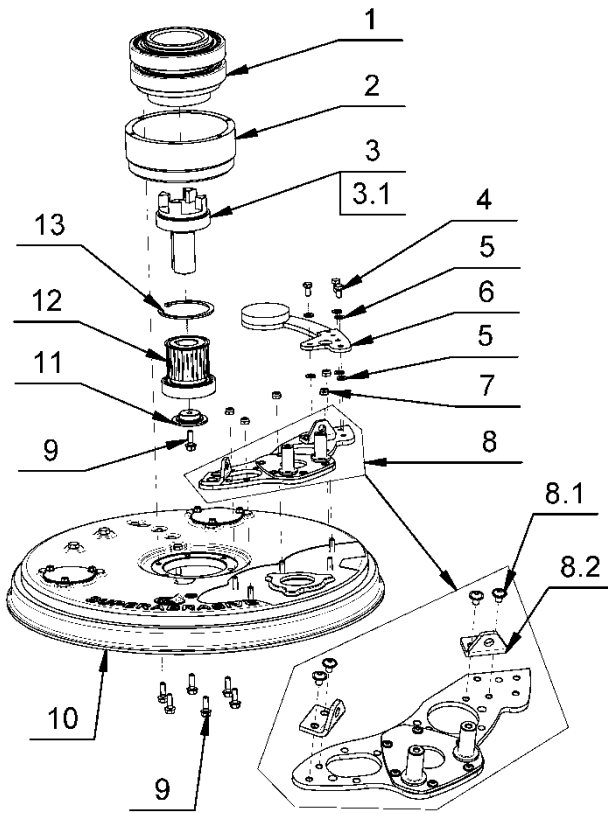


Figure 1.14

**1.14. LAVINA® 30S7; 30HVS7; 30ES7; 31S7; 31HVS7; 31ES7; 25S7; 25ES7; 25LS7; 25LHVS7; 25LES7
BOTTOM COVER 6 PARTS**

Figure 1.14			
No.	Item No.	Description	Pcs.
1	L30GS7.10.13.00-K	Bushing center kit	1
2	L30GS7.10.10.03	Bushing	1
3	L30S7.10.20.00	Shaft Assembly	1
3.1	30301260090	Key	1
4	30301210037	Screw M8X16DIN933	3
5	30301221004	Washer M8DIN125A	6
6	L30GS7.16.00.00	Balance	1
7	30301240106	Nut M8DIN985	5
8	L30GS7.17.20.00	Chain tensioner kit base	1
8.1	30301230129	Screw M8X12ISO7380F	4
8.2	A115.10.00.01	Holder	2
9	30301210038	Bolt M8X25DIN6921	7
10	L30GS7.17.00.00-K	Body Assembly	1
11	L30GS7.10.00.23	Front Washer	1
12	L30GS7.10.20.00	Central Pulley Assembly	1
13	30301250045	Retaining Ring	1

1.15. CARRIAGE 1 PARTS

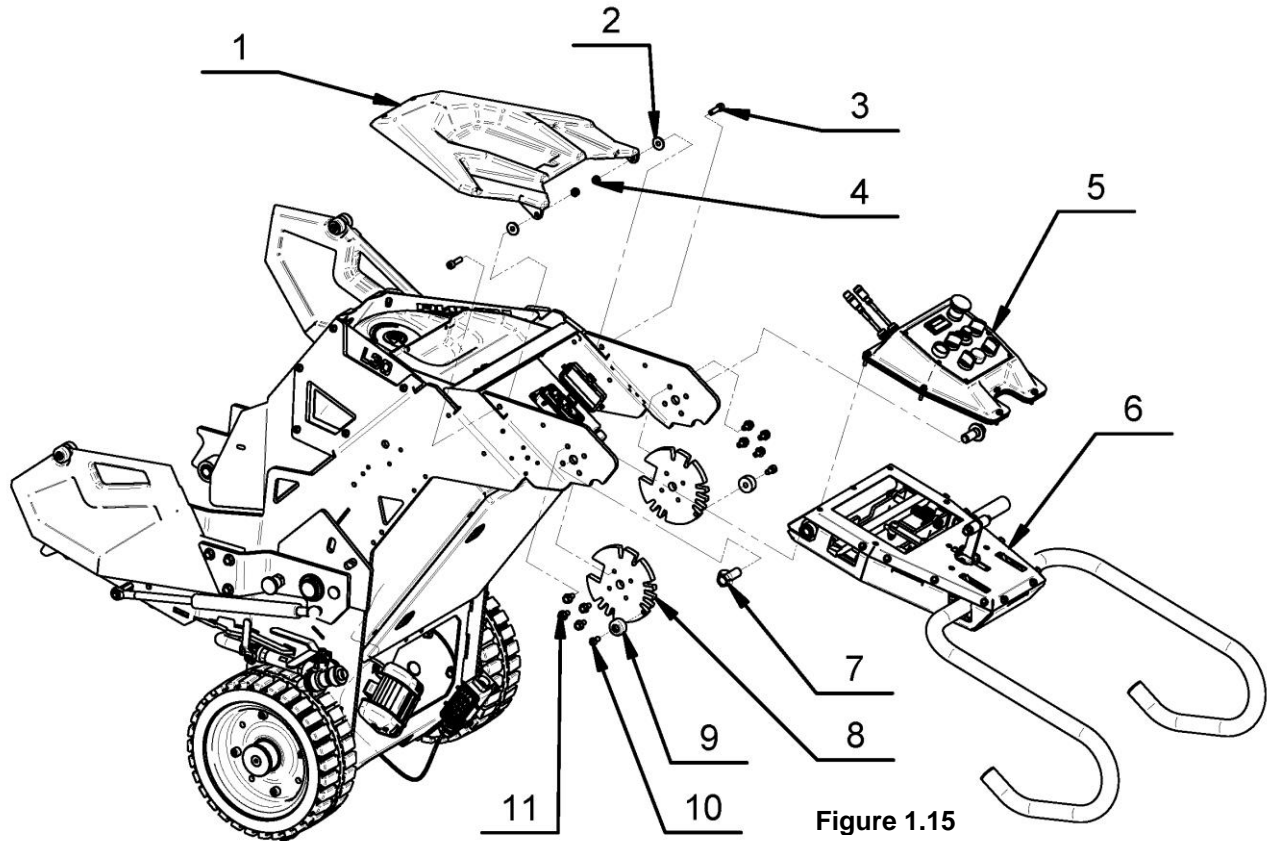


Figure 1.15

1.15.1 LAVINA® 30S7; 30ES7; 31S7; 31ES7; 25S7; 25ES7; 25LS7; 25LES7 CARRIAGE 1 PARTS			
Figure 1.15			
No.	Item No.	Description	Pcs.
1	L30GS7.20.60.00	Cover	1
2	30301221019	Washer M8DIN9021	2
3	30301230032	Screw M8X30DIN912	2
4	30301240106	Nut M8DIN985	3
5	L30S7.22.00.00	Control Board	1
6	L30GS7.22.00.00	Handlebar set	1
7	30301210136	Bolt M16X40DIN6921	2
8	L30GS7.20.00.02	Locking plate	2
9	30310000012	Buffers	2
10	30301230018	Screw M8X16DIN912	2
11	30301210072	Bolt M8x16DIN6921	8

1.15.2 LAVINA® 30HVS7; 31HVS7; 25LHVS7 CARRIAGE 1 PARTS			
Figure 1.15			
No.	Item No.	Description	Pcs.
1	L30GS7.20.60.00	Cover	1
2	30301221019	Washer M8DIN9021	2
3	30301230032	Screw M8X30DIN912	2
4	30301240106	Nut M8DIN985	3
5	L30HVS7.22.00.00	Control Board	1
6	L30GS7.22.00.00	Handlebar set	1
7	30301210136	Bolt M16X40DIN6921	2
8	L30GS7.20.00.02	Locking plate	2
9	30310000012	Buffers	2
10	30301230018	Screw M8X16DIN912	2
11	30301210072	Bolt M8x16DIN6921	8

1.16. CONTROL BOARD

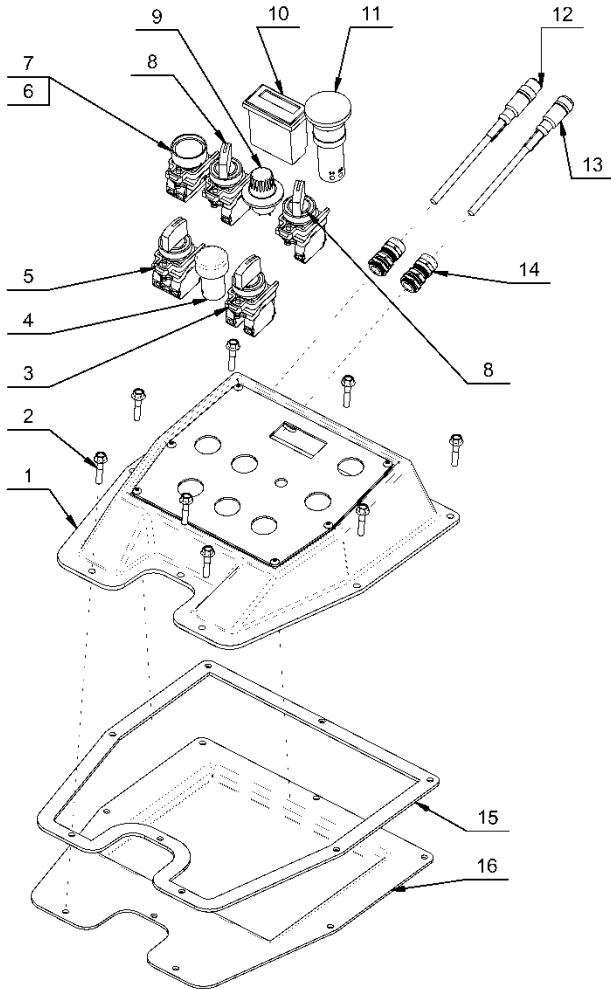


Figure 1.16

1.16.1 LAVINA® 30HVS7; 31HVS7; 25LHVS7 CONTROL BOARD			
Item No. L30HVS7.22.00.00			
Figure 1.16			
No.	Item No.	Description	Pcs.
1	L30HVS7.22.11.00	Top cover assembly	1
2	30301210056	Bolt M5X25DIN6921	8
3	30311000732-K1	Switch	1
4	30311000740	Power glowing Green	1
5	30311000732-K	Switch	1
6	30311000420-K	Button	1
7	30311000750	Cap	1
8	30311000721	Switch	2
9	30311000690	Potentiometer	1
10	30313000150	Tachometer	1
11	30311000717	EMG Button	1
12	L30S7.22.21.00	L30S7 Cable X1 control	1
13	L30S7.22.22.00	L30S7 Cable X2 control	1
14	30311000401	Cable gland M16x1,5	2
15	30302000158	Seal	1
16	30306000059	Bottom cover	1

1.16.2 LAVINA® 30S7; 30ES7; 31S7; 31ES7; 25S7; 25ES7; 25LS7; 25LES7 CONTROL BOARD			
Item No. L30S7.22.00.00			
Figure 1.16			
No.	Item No.	Description	Pcs.
1	L30S7.22.11.00	Top cover assembly	1
2	30301210056	Bolt M5X25DIN6921	8
3	30311000732-K1	Switch	1
4	30311000740	Power glowing Green	1
5	30311000732-K	Switch	1
6	30311000420-K	Button	1
7	30311000750	Cap	1
8	30311000721	Switch	2
9	30311000690	Potentiometer	1
10	30313000150	Tachometer	1
11	30311000717	EMG Button	1
12	L30S7.22.21.00	L30S7 Cable X1 control	1
13	L30S7.22.22.00	L30S7 Cable X2 control	1
14	30311000401	Cable gland M16x1,5	2
15	30302000158	Seal	1
16	30306000059	Bottom cover	1

1.17 HANDLEBAR SET

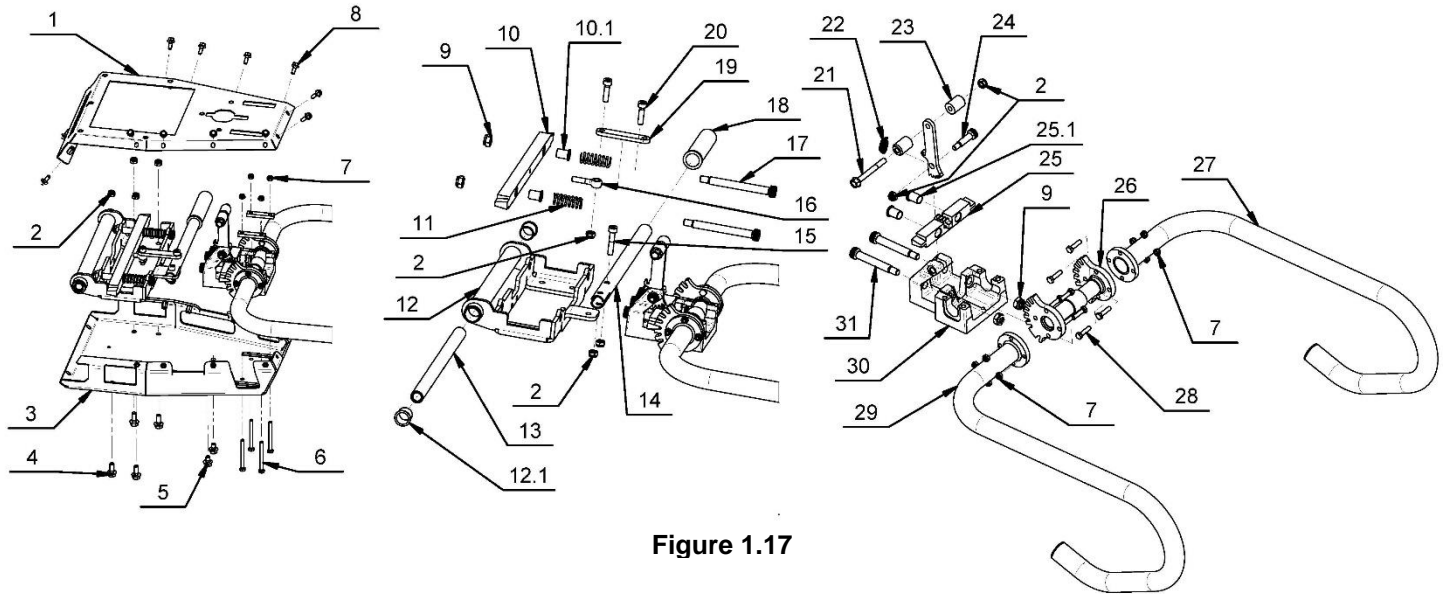


Figure 1.17

1.17. LAVINA® 30S7; 30HVS7; 30ES7; 31S7; 31HVS7; 31ES7; 25S7; 25ES7; 25LS7; 25LHVS7; 25LES7											
RUDDER SET											
Item No. L30GS7.22.00.00											
Figure 1.17											
No.	Item No.	Description	Pcs.	No.	Item No.	Description	Pcs.	No.	Item No.	Description	Pcs.
1	L30GS7.22.50.00	Cover	1	16	30301210104	Bolt M8X40DIN444	1				
2	30301240106	Nut M8DIN985	9	17	30301230100	Screw 12X100M10ISO7379	2				
3	L30GS7.22.10.00	Body Base	1	18	30329000014	Handle	1				
4	30301210031	Bolt M8X20DIN6921	4	19	L30GS7.22.00.02	Plate	1				
5	30301210058	Bolt M8X12DIN6921	2	20	30301230032	Screw M8X30DIN912	2				
6	30301210085	Bolt M6X65DIN933	4	21	30301210069	Bolt M8X70DIN6921	1				
7	30301240103	Nut M6DIN985	4	22	30317000042	Spring	1				
8	30301210051	Bolt M6X16DIN6921	12	23	L30GS7.22.30.04	Bushing	2				
9	30301240092	Nut M10DIN985	4	24	30301210191	Screw 10X30M8ISO7379	1				
10	L30GS7.22.40.00	Locking item	1	25	L30GS7.22.34.00	Locking item	1				
	10.1	30303000110	Flange bearing	2	25.1	30303000110	Flange bearing	2			
11	30317000041	Spring	2	26	L30GS7.22.31.00	Locking axle	1				
12	L30GS7.22.20.00	Body	1	27	L30GS7.22.32.00	Handle right	1				
	12.1	30303000103	Flange bearing	2	28	30301210077	Screw M6x25DIN933	8			
13	L30GS7.22.00.01	Axle	1	29	L30GS7.22.33.00	Handle left	1				
14	L30GS7.22.00.03	Lever	1	30	L30GS7.22.30.01	Base	1				
15	30301230155	Screw M8X40DIN912	1	31	30301230318	Screw 12X70M10ISO7379	2				

1.18. CARRIAGE 2 PARTS

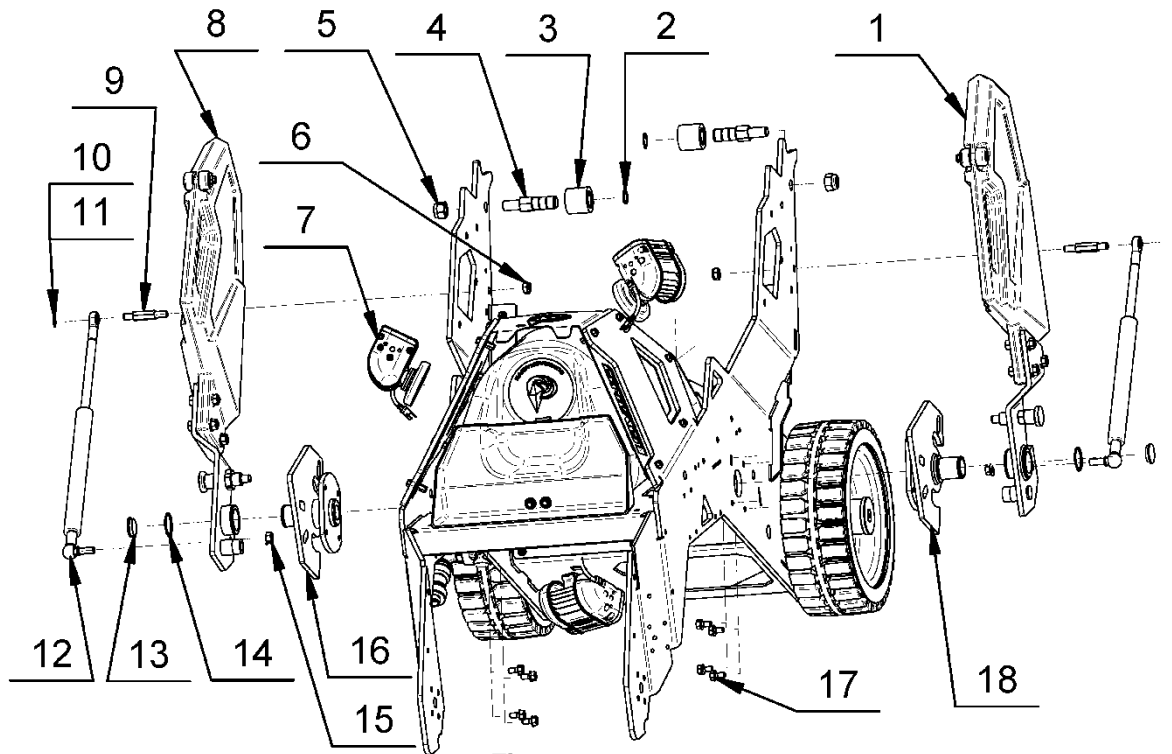
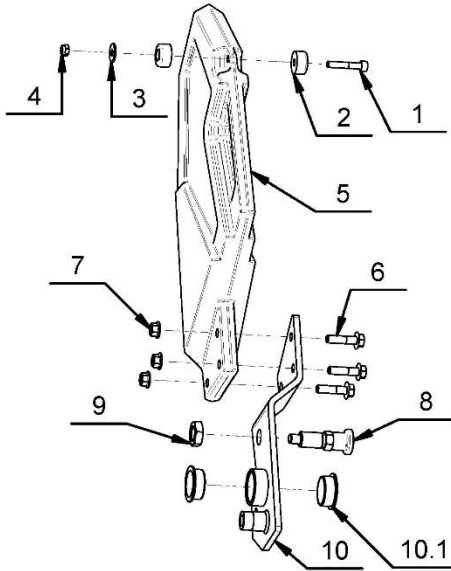


Figure 1.18

1.18.1 LAVINA® 30S7; 30HVS7; 30ES7; 25S7; 25ES7; 25LS7; 25LHVS7; 25LES7 CARRIAGE 2 PARTS			
Figure 1.18			
No.	Item No.	Description	Pcs.
1	L30GS7.26.00.00	Right Weight	1
2	30301250042	Circlip 20DIN471	2
3	30302000157	Rubber Bushing	2
4	L30GS7.20.00.04	Axle	2
5	30301240109	Nut M16DIN982	2
6	30301240084	Nut M10DIN6923	2
7	A110.00.00.00	LED Light	2
8	L30GS7.25.00.00	Left Weight	1
9	L30GS7.20.00.03	Axle	2
10	30301221005	Washer M10DIN125A	2
11	30316000069	Pin 3,2X20DIN94	2
12	30317000036	Gas Springs	2
13	40401000113	Plug	2
14	30301250008	Circlip 35DIN471	2
15	30301240084	Nut M10DIN6923	2
16	L30GS7.23.00.00	Left axis	1
17	30301210072	Bolt M8X16DIN6921	8
18	L30GS7.24.00.00	Right axis	1

1.18.2 LAVINA® 31S7; 31HVS7; 31ES7 CARRIAGE 2 PARTS			
Figure 1.18			
No.	Item No.	Description	Pcs.
1	L31S7.26.00.00	Right Weight	1
2	30301250042	Circlip 20DIN471	2
3	30302000157	Rubber Bushing	2
4	L30GS7.20.00.04	Axle	2
5	30301240109	Nut M16DIN982	2
6	30301240084	Nut M10DIN6923	2
7	A110.00.00.00	LED Light	2
8	L31S7.25.00.00	Left Weight	1
9	L31S7.20.00.03	Axle	2
10	30301221005	Washer M10DIN125A	2
11	30316000069	Pin 3,2X20DIN94	2
12	30317000036	Gas Springs	2
13	40401000113	Plug	2
14	30301250008	Circlip 35DIN471	2
15	30301240084	Nut M10DIN6923	2
16	L31S7.23.00.00	Left axis	1
17	30301210072	Bolt M8X16DIN6921	8
18	L31S7.24.00.00	Right axis	1

1.19. RIGHT WEIGHT



1.19.1 LAVINA® 30S7; 30HVS7; 30ES7; 25S7; 25ES7; 25LS7; 25LHVS7; 25LES7 RIGHT WEIGHT			
Item No. L30GS7.26.00.00			
Figure 1.19.1			
No.	Item No.	Description	Pcs.
1	30301230112	Screw M8X45DIN 912	1
2	30310000012	Rubber Bushing	2
3	30301221019	Washer M8DIN9021	1
4	30301240106	Nut M8DIN985	1
5	L30GS7.25.00.01	Weight	1
6	30301210103	Bolt M10X40DIN6921	3
7	30301240084	Nut M10DIN6923	3
8	30329000054	Indexing plunger	1
9	30301240015	Nut M20X1,5DIN439B	1
10	L30GS7.26.10.00	Carrier right	1
10.1	30303000109	Flange bearing	2

Figure 1.19.1

1.19.2. LAVINA® 31S7; 31HVS7; 31ES7 RIGHT WEIGHT			
Item No. L31S7.26.00.00			
Figure 1.19.2			
No.	Item No.	Description	Pcs.
1	30301240084	Nut M10DIN6923	4
2	30301240100	Nut M12DIN934	1
3	L31S7.25.00.02	Weight	2
4	30301240106	Nut M8DIN985	1
5	30310000012	Rubber Bushing	2
6	L31S7.25.00.01	Weight	1
7	30301230231	Screw M8X80DIN912	1
8	30301210196	Screw M10X80DIN931	2
9	30301210103	Bolt M10X40DIN6921	2
10	30329000060	Indexing plunger	1
11	L30GS7.26.10.00	Carrier right	1
11.1	30303000109	Flange bearing	2

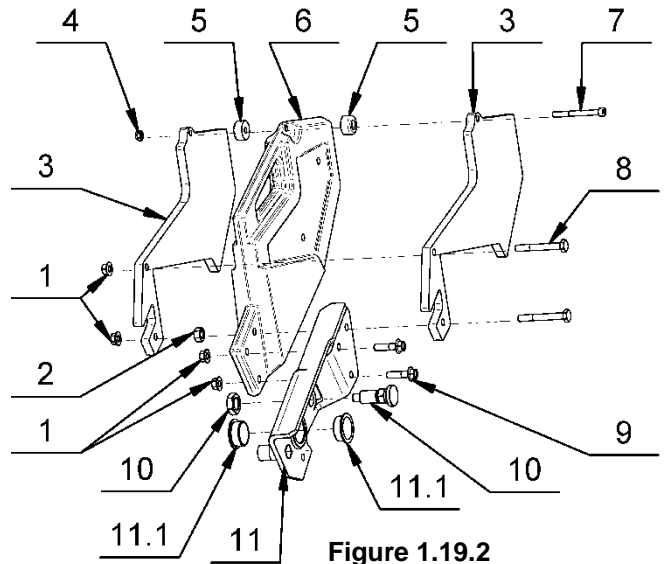


Figure 1.19.2

1.20. LEFT WEIGHT

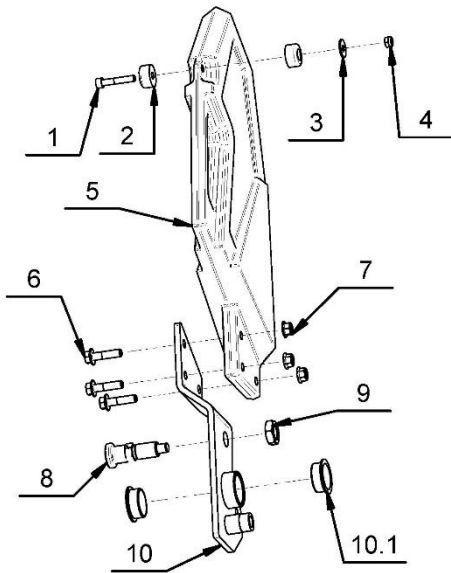


Figure 1.20.1

1.20.1 LAVINA® 30S7; 30HVS7; 30ES7; 25S7; 25ES7; 25LS7; 25LHVS7; 25LES7 LEFT WEIGHT			
Item No.		L30GS7.25.00.00	
Figure 1.20.1			
No.	Item No.	Description	Pcs.
1	30301230112	Screw M8X45DIN 912	1
2	30310000012	Rubber Bushing	2
3	30301221019	Washer M8DIN9021	1
4	30301240106	Nut M8DIN985	1
5	L30GS7.25.00.01	Weight	1
6	30301210103	Bolt M10X40DIN6921	3
7	30301240084	Nut M10DIN6923	3
8	30329000054	Indexing plunger	1
9	30301240015	Nut M20X1,5DIN439B	1
10	L30GS7.25.10.00	Carrier left	1
10.1	30303000109	Flange bearing	2

1.20.2. LAVINA® 31S7; 31HVS7; 31ES7 LEFT WEIGHT			
Item No.		L31S7.25.00.00	
Figure 1.20.2			
No.	Item No.	Description	Pcs.
1	30301240084	Nut M10DIN6923	4
2	30301240100	Nut M12DIN934	1
3	L31S7.25.00.02	Weight	2
4	30301240106	Nut M8DIN985	1
5	30310000012	Rubber Bushing	2
6	L31S7.25.00.01	Weight	1
7	30301230231	Screw M8X80DIN912	1
8	30301210196	Screw M10X80DIN931	2
9	30301210103	Bolt M10X40DIN6921	2
10	30329000060	Indexing plunger	1
11	L30GS7.25.10.00	Carrier right	1
11.1	30303000109	Flange bearing	2

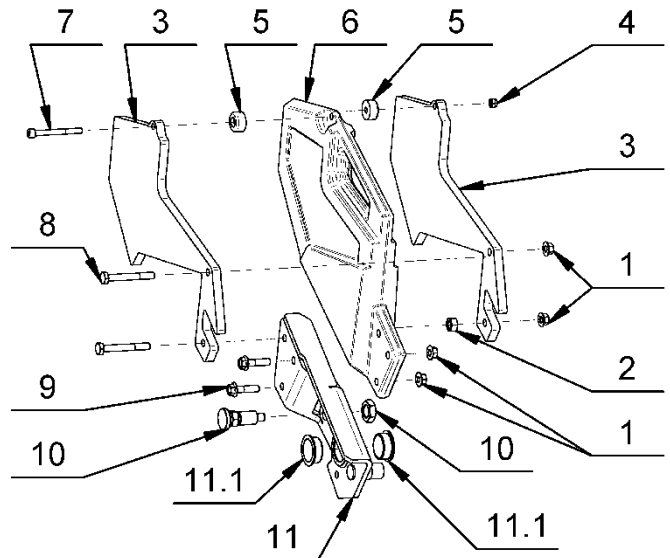


Figure 1.20.2

1.21. CARRIAGE 3 PARTS

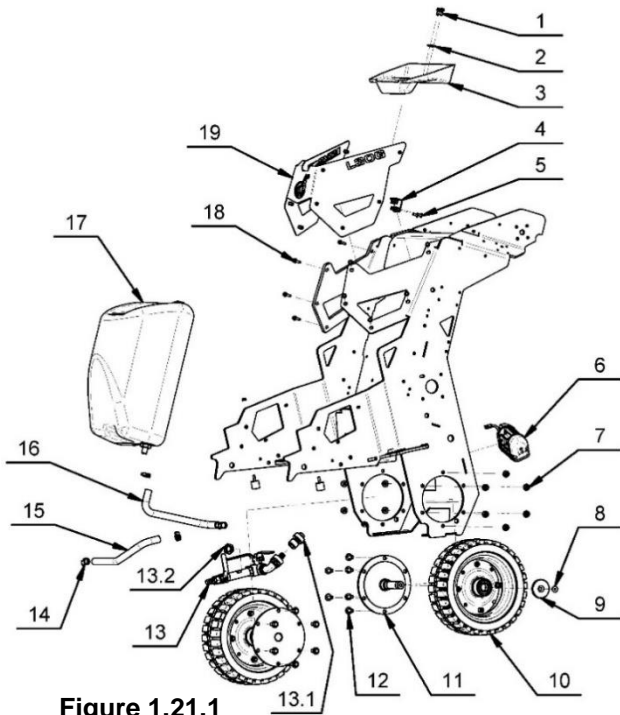


Figure 1.21.1

1.21.1 LAVINA® 30S7; 30HVS7; 30ES7; CARRIAGE 3 PARTS				
Figure 1.21.1				
No.	Item No.	Description	Pcs.	
1	30301210051	Bolt M6X16DIN6921	2	
2	30301221012	Washer M6DIN9021	2	
3	L30GS7.20.00.12	Pocket	1	
4	L30GS7.20.50.00	Holder	1	
5	30301230243	Screw M6X16ISO7380F	2	
6	A109.00.00	LED Light	1	
7	30301240084	Nut M10DIN6923	12	
8	30301230015	Screw M10X16DIN7991	2	
9	L32D-20.00.03	Wheel Cap	2	
10	L30GS7.20.70.00	Wheel	2	
11	L30GS7.20.80.00	Axle	2	
12	30301210096	Bolt M10X25DIN6921	12	
13	L30GS7.20.20.00	Water Valve assembly	1	
	13.1	30316000013	Quick-change nozzle	1
	13.2	30301240015	Nut M20X1.5DIN439B	1
14	30308000407	Hose clamp	4	
15	MAR16.325-K	PE Tube	1	
16	MAR16.360-K	PE Tube	1	
17	A101.00.00	Tank Assembly	1	
18	30301210117	Bolt M6X20DIN6921	10	
19	L30S7.20.10.00	Console set	1	

1.21.2 LAVINA® 25S7; 25ES7; 25LS7; 25LHVS7; 25LES7 CARRIAGE 3 PARTS				
Figure 1.21.1				
No.	Item No.	Description	Pcs.	
1	30301210051	Bolt M6X16DIN6921	2	
2	30301221012	Washer M6DIN9021	2	
3	L30GS7.20.00.12	Pocket	1	
4	L30GS7.20.50.00	Holder	1	
5	30301230243	Screw M6X16ISO7380F	2	
6	A109.00.00	LED Light	1	
7	30301240084	Nut M10DIN6923	12	
8	30301230015	Screw M10X16DIN7991	2	
9	L32D-20.00.03	Wheel Cap	2	
10	L30GS7.20.70.00	Wheel	2	
11	L30GS7.20.80.00	Axle	2	
12	30301210096	Bolt M10X25DIN6921	12	
13	L30GS7.20.20.00	Water Valve assembly	1	
	13.1	30316000013	Quick-change nozzle	1
	13.2	30301240015	Nut M20X1.5DIN439B	1
14	30308000407	Hose clamp	4	
15	MAR16.325-K	PE Tube	1	
16	MAR16.360-K	PE Tube	1	
17	A101.00.00	Tank Assembly	1	
18	30301210117	Bolt M6X20DIN6921	10	
19	L25S7.20.10.00	Console set	1	

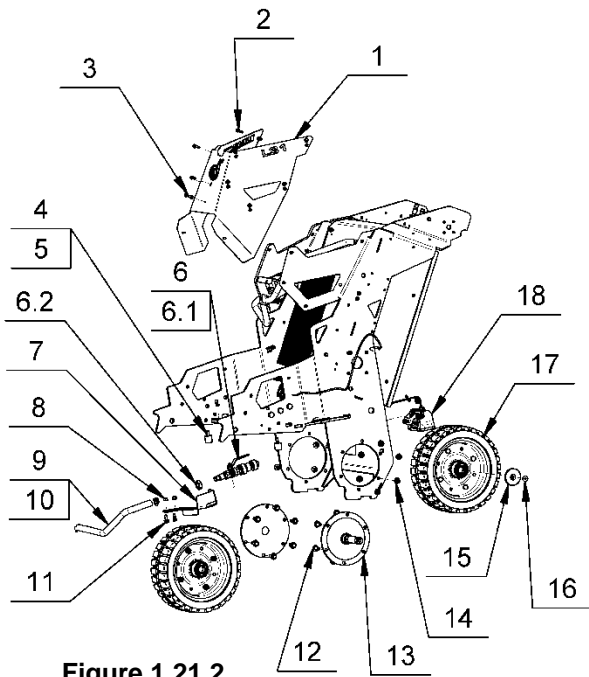


Figure 1.21.2

1.21.3 LAVINA® 31S7; 31HVS7; 31ES7; CARRIAGE 3 PARTS			
Figure 1.21.2			
No.	Item No.	Description	Pcs.
1	L31S7.20.10.00	Console set	1
2	30301210117	Bolt M6X20DIN6921	10
3	30301210051	Bolt M6X16DIN6921	2
4	30310000006	Buffer	2
5	30301240098	Nut M6DIN6923	2
6	L31S7.20.20.00	Water Valve assembly	1
6.1	30316000013	Quick-change nozzle	1
6.2	30301240015	Nut M20X1.5DIN439B	1
7	L31S7.20.00.04	Sector	1
8	30301240095	Nut M8DIN6923	2
9	MAR16.325	PE Tube	1
10	30308000407	Hose clamp	2
11	30301210031	Bolt M8X20DIN6921	2
12	30301210096	Bolt M10X25DIN6921	12
13	L30GS7.20.80.00	Axle	2
14	30301240084	Nut M10DIN6923	12
15	L32D-20.00.03	Wheel Cap	2
16	30301230015	Screw M10X16DIN7991	2
17	L30GS7.20.70.00	Wheel	2
18	A109.00.00	LED Light	1

1.22. WATER TANK

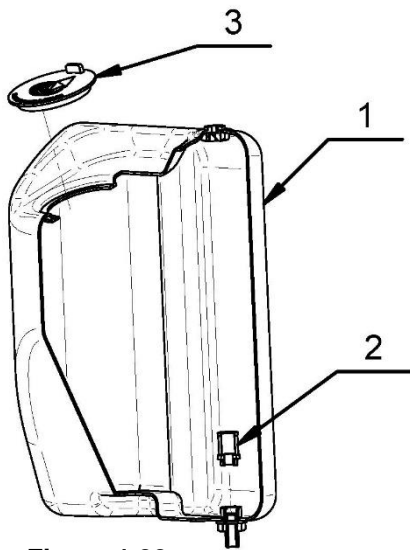


Figure 1.22

1.22. LAVINA® 30S7; 30HVS7; 30ES7; 25S7; 25ES7; 25LS7; 25LHVS7; 25LES7 WATER TANK			
Item No.		A101.00.00	
Figure 1.22			
No.	Item No.	Description	Pcs.
1	A101.00.00-K	Water Tank-K	1
2	30316000001	Filter	1
3	A101.00.02	Tank cap	1

1.23. CARRIAGE 4 PARTS

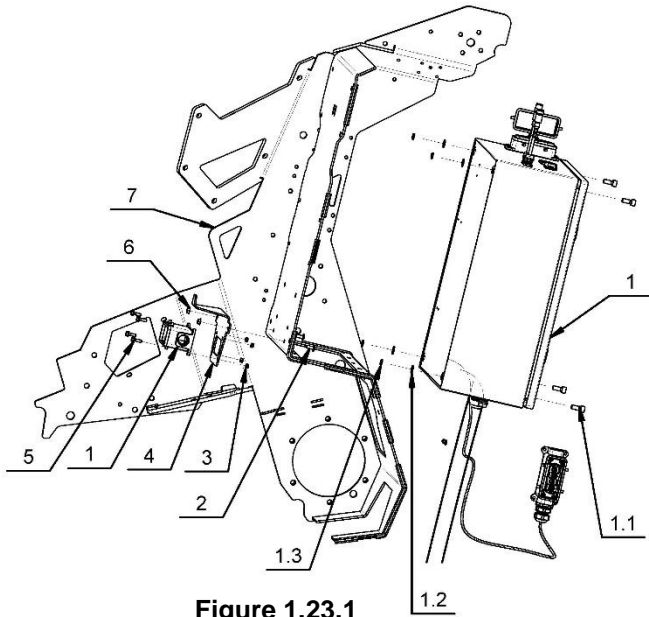


Figure 1.23.1

1.23.1 LAVINA® 30S7; 25LS7 CARRIAGE 4 PARTS				
Figure 1.23.1				
No.	Item No.	Description	Pcs	
1	L30S7.21.00.00	Control Box	1	
	1.1	30301230087	Screw M8X20DIN912	4
	1.2	30301221004	Washer M8DIN125A	4
	1.3	30301240106	Nut M8DIN985	4
2	30301230243	Screw M6X16ISO7380F	2	
3	30301240090	Nut M5DIN985	4	
4	L30S7.20.00.01	Tank stand	1	
5	30301210110	Bolt M5x16DIN6921	4	
6	30301240098	Nut M6DIN6923	2	
7	L30GS7.21.00.00	Frame	1	

1.23.3 LAVINA® 30ES7; 25LES7 CARRIAGE 4 PARTS				
Figure 1.23.1				
No.	Item No.	Description	Pcs	
1	L30ES7.21.00.00	Control Box	1	
	1.1	30301230087	Screw M8X20DIN912	4
	1.2	30301221004	Washer M8DIN125A	4
	1.3	30301240106	Nut M8DIN985	4
2	30301230243	Screw M6X16ISO7380F	2	
3	30301240090	Nut M5DIN985	4	
4	L30S7.20.00.01	Tank stand	1	
5	30301210110	Bolt M5x16DIN6921	4	
6	30301240098	Nut M6DIN6923	2	
7	L30GS7.21.00.00	Frame	1	

1.23.2 LAVINA® 30HVS7; 25LHVS7 CARRIAGE 4 PARTS				
Figure 1.23.1				
No.	Item No.	Description	Pcs.	
1	L30HVS7.21.00.00	Control Box	1	
	1.1	30301230087	Screw M8X20DIN912	4
	1.2	30301221004	Washer M8DIN125A	4
	1.3	30301240106	Nut M8DIN985	4
2	30301230243	Screw M6X16ISO7380F	2	
3	30301240090	Nut M5DIN985	4	
4	L30S7.20.00.01	Tank stand	1	
5	30301210110	Bolt M5x16DIN6921	4	
6	30301240098	Nut M6DIN6923	2	
7	L30GS7.21.00.00	Frame	1	

1.23.4 LAVINA® 25S7 CARRIAGE 4 PARTS			
Figure 1.23.1			
No.	Item No.	Description	Pcs
1	L25S7.21.00.00	Control Box	1
	1.1	30301230087	Screw M8X20DIN912
	1.2	30301221004	Washer M8DIN125A
	1.3	30301240106	Nut M8DIN985
2	30301230243	Screw M6X16ISO7380F	2
3	30301240090	Nut M5DIN985	4
4	L30S7.20.00.01	Tank stand	1
5	30301210110	Bolt M5x16DIN6921	4
6	30301240098	Nut M6DIN6923	2
7	L30GS7.21.00.00	Frame	1

1.23.5 LAVINA® 25ES7 CARRIAGE 4 PARTS			
Figure 1.23.1			
No.	Item No.	Description	Pcs
1	L25ES7.21.00.00	Control Box	1
	1.1	30301230087	Screw M8X20DIN912
	1.2	30301221004	Washer M8DIN125A
	1.3	30301240106	Nut M8DIN985
2	30301230243	Screw M6X16ISO7380F	2
3	30301240090	Nut M5DIN985	4
4	L30S7.20.00.01	Tank stand	1
5	30301210110	Bolt M5x16DIN6921	4
6	30301240098	Nut M6DIN6923	2
7	L30GS7.21.00.00	Frame	1

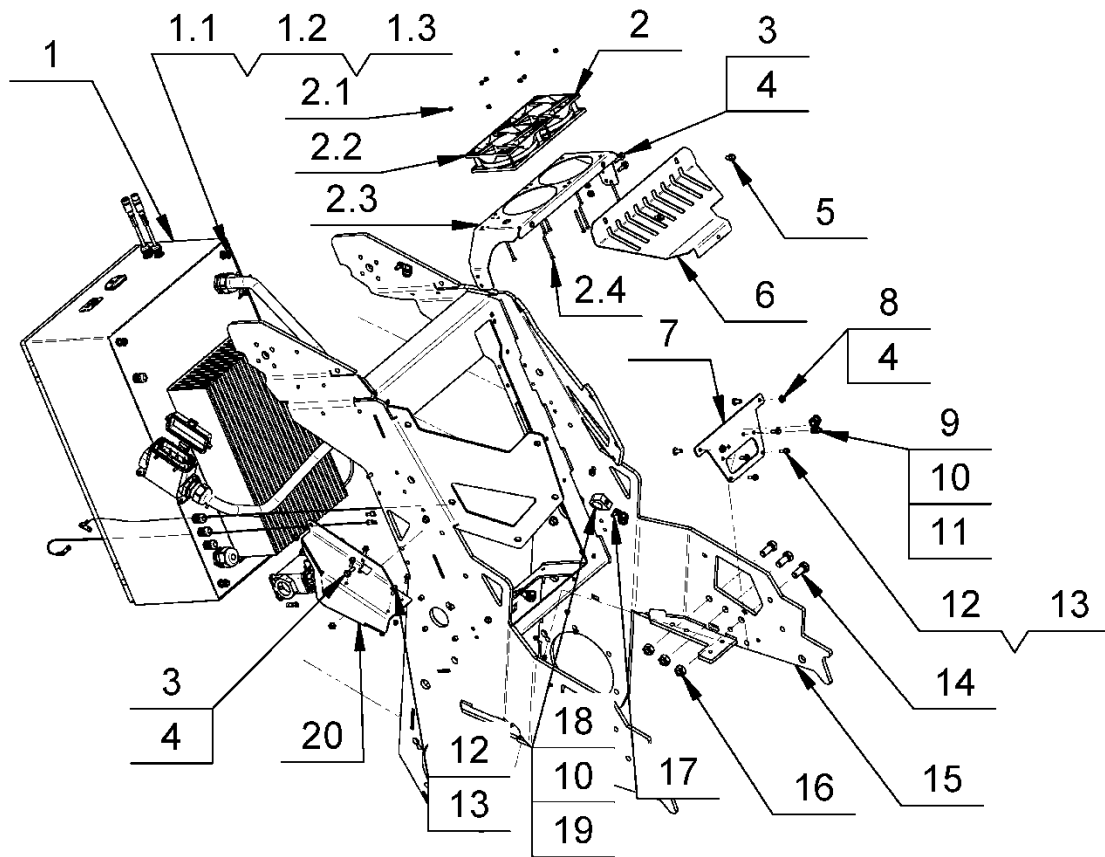


Figure 1.23.2

1.23.6 LAVINA® 31ES7; CARRIAGE 4 PARTS				
Figure 1.23.2				
No.	Item No.	Description	Pcs	
1	L31ES7.29.00.00	Control Box	1	
	1.1	30301230087	Screw M8X20DIN912	4
	1.2	30301221004	Washer M8DIN125A	4
	1.3	30301240106	Nut M8DIN985	4
2		L31S7.20.30.00	Fan stand	1
	2.1	30301240114	Nut M4DIN985	8
	2.2	30311000862	Fan	2
	2.3	L31S7.20.31.00	Fan stand	1
	2.4	30301230332	Screw M4x45DIN912	8
3	30301210117	Bolt M6x20DIN6921	6	
4	30301240098	Nut M6DIN6923	8	
5	30301210048	Bolt M6x12DIN6921	2	
6	L31S7.20.00.02	Wheeler pocket	1	
7	L31S7.20.00.01	Clutch stand	1	
8	30301230243	Screw M6X16ISO7380F	2	
9	30308000412	LOKMAN 304 rubber	3	
10	30301210051	Bolt M6x16DIN6921	1	
11	30301240103	Nut M6DIN985	3	
12	30301210110	Bolt M5x16DIN6921	8	
13	30301240090	Nut M5DIN985	8	
14	30301210071	Screw M12x30DIN933	3	
15	L31S7.21.00.00	Frame	1	
16	30301240111	Nut M12DIN985	3	
17	30301210107	Bolt M6x25DIN6921	2	
18	30311000506	Flexicon 21	1	
19	30301240022	Nut M6DIN934	1	
20	L31S7.20.00.05	Clutch stand	1	

1.23.7 LAVINA® 31HVS7; CARRIAGE 4 PARTS				
Figure 1.23.2				
No.	Item No.	Description	Pcs	
1	L31HVS7.29.00.00	Control Box	1	
	1.1	30301230087	Screw M8X20DIN912	4
	1.2	30301221004	Washer M8DIN125A	4
	1.3	30301240106	Nut M8DIN985	4
2		L31S7.20.30.00	Fan stand	1
	2.1	30301240114	Nut M4DIN985	8
	2.2	30311000862	Fan	2
	2.3	L31S7.20.31.00	Fan stand	1
	2.4	30301230332	Screw M4x45DIN912	8
3	30301210117	Bolt M6x20DIN6921	6	
4	30301240098	Nut M6DIN6923	8	
5	30301210048	Bolt M6x12DIN6921	2	
6	L31S7.20.00.02	Wheeler pocket	1	
7	L31S7.20.00.01	Clutch stand	1	
8	30301230243	Screw M6X16ISO7380F	2	
9	30308000412	LOKMAN 304 rubber	3	
10	30301210051	Bolt M6x16DIN6921	1	
11	30301240103	Nut M6DIN985	3	
12	30301210110	Bolt M5x16DIN6921	8	
13	30301240090	Nut M5DIN985	8	
14	30301210071	Screw M12x30DIN933	3	
15	L31S7.21.00.00	Frame	1	
16	30301240111	Nut M12DIN985	3	
17	30301210107	Bolt M6x25DIN6921	2	
18	30311000506	Flexicon 21	1	
19	30301240022	Nut M6DIN934	1	
20	L31S7.20.00.05	Clutch stand	1	

1.23.8 LAVINA® 31S7; CARRIAGE 4 PARTS				
Figure 1.23.2				
No.		Item No.	Description	Pcs
1		L31S7.29.00.00	Control Box	1
	1.1	30301230087	Screw M8X20DIN912	4
	1.2	30301221004	Washer M8DIN125A	4
	1.3	30301240106	Nut M8DIN985	4
2		L31S7.20.30.00	Fan stand	1
	2.1	30301240114	Nut M4DIN985	8
	2.2	30311000862	Fan	2
	2.3	L31S7.20.31.00	Fan stand	1
	2.4	30301230332	Screw M4x45DIN912	8
3		30301210117	Bolt M6x20DIN6921	6
4		30301240098	Nut M6DIN6923	8
5		30301210048	Bolt M6x12DIN6921	2
6		L31S7.20.00.02	Wheeler pocket	1
7		L31S7.20.00.01	Clutch stand	1
8		30301230243	Screw M6X16ISO7380F	2
9		30308000412	LOKMAN 304 rubber	3
10		30301210051	Bolt M6x16DIN6921	1
11		30301240103	Nut M6DIN985	3
12		30301210110	Bolt M5x16DIN6921	8
13		30301240090	Nut M5DIN985	8
14		30301210071	Screw M12x30DIN933	3
15		L31S7.21.00.00	Frame	1
16		30301240111	Nut M12DIN985	3
17		30301210107	Bolt M6x25DIN6921	2
18		30311000506	Flexicon 21	1
19		30301240022	Nut M6DIN934	1
20		L31S7.20.00.05	Clutch stand	1

1.24. LAVINA® 30S7; 25LS7 CONTROL BOX

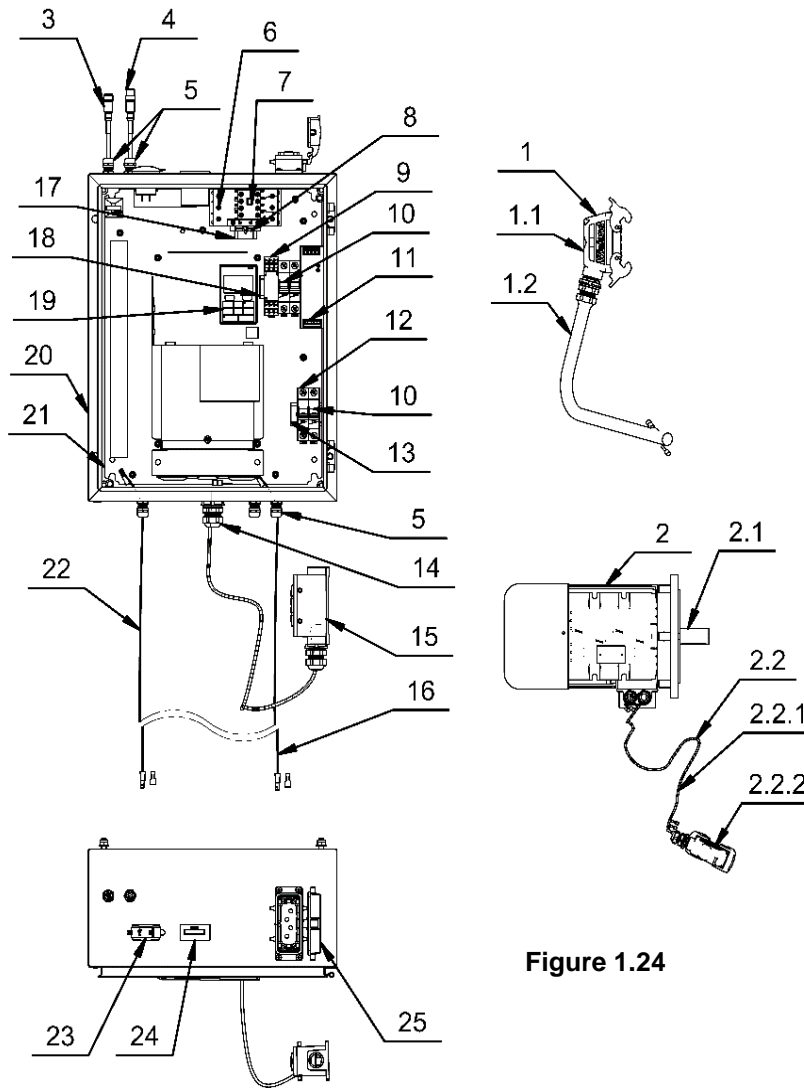


Figure 1.24

1.24.1 LAVINA® 25LS7 CONTROL BOX

Figure 1.24

No.		Item No.	Description	Pcs	No.	Item No.	Description	Pcs
1		L25LS-30.02.00	Cable with connector	1	11	30313000190	DC Power supply	1
	1.1	L25LS-30.02.10	Connector	1	12	30311000612	Circuit breaker 2A 1P	1
	1.2	L25S-30.02.02	Cable	1	13	L16EU21.12.02	Rail L=50 H=7,5	1
2		A122.00.00.00	Electric motor assembly	1	14	30311000405	Cable gland M25x1,5	1
	2.1	30305000033	Electric motor	1	15	L30S7.21.50.00	Output cable from Invertor	1
	2.2	A103.10.00.00	Cable with connector	1	16	L30S7.21.60.00	Cable for front lamp right	1
	2.2.1	A103.10.10.00	Cable	1	17	L16E21.12.02	Rail L=75 H=7,5	2
	2.2.2	L25LE18.12.00	Connector	1	18	L30S7.21.20.03	Rail L=100 H=7,5	1
3		L30S7.21.31.00	Cable X1	1	19	30313000102	Invertor	1
4		L20E25.54.00	Cable X2	1	20	L30S7.21.10.01	Metal box (only)	1
5		30311000401	Cable gland M16x1,5	5	21	L30S7.21.20.01	Metal plate (only)	1
6		30311000197	Contacto	1	22	L30S7.21.40.00	Cable for front lamp left	1
7		30311000198	Additional contact	1	23	30313000173	USB charger	1
8		30311000122	Metal end clamp	1	24	30313000153	Hour meter	1
9		30311000191	Over voltage relay	1	25	L25LE30.30.30	Connector	1
10		30311000600	Circuit breaker 4A 1P	3				

1.24.2 LAVINA® 30S7 CONTROL BOX

Figure 1.24

No.		Item No.	Description	Pcs	No.	Item No.	Description	Pcs
1		L25LS-30.02.00	Cable with connector	1	11	30313000190	DC Power supply	1
	1.1	L25LS-30.02.10	Connector	1	12	30311000612	Circuit breaker 2A 1P	1
	1.2	L25S-30.02.02	Cable	1	13	L16EU21.12.02	Rail L=50 H=7,5	1
2		A122.00.00.00	Electric motor assembly	1	14	30311000405	Cable gland M25x1,5	1
	2.1	30305000033	Electric motor	1	15	L30S7.21.50.00	Output cable from Invertor	1
	2.2	A103.10.00.00	Cable with connector	1	16	L30S7.21.60.00	Cable for front lamp right	1
	2.2.1	A103.10.10.00	Cable	1	17	L16E21.12.02	Rail L=75 H=7,5	2
	2.2.2	L25LE18.12.00	Connector	1	18	L30S7.21.20.03	Rail L=100 H=7,5	1
3		L30S7.21.31.00	Cable X1	1	19	30313000102	Invertor	1
4		L20E25.54.00	Cable X2	1	20	L30S7.21.10.01	Metal box (only)	1
5		30311000401	Cable gland M16x1,5	5	21	L30S7.21.20.01	Metal plate (only)	1
6		30311000197	Contacto	1	22	L30S7.21.40.00	Cable for front lamp left	1
7		30311000198	Additional contact	1	23	30313000173	USB charger	1
8		30311000122	Metal end clamp	1	24	30313000153	Hour meter	1
9		30311000191	Over voltage relay	1	25	L25LE30.30.30	Connector	1
10		30311000600	Circuit breaker 4A 1P	3				

1.25. LAVINA® 30HVS7; 25LHVS7 CONTROL BOX

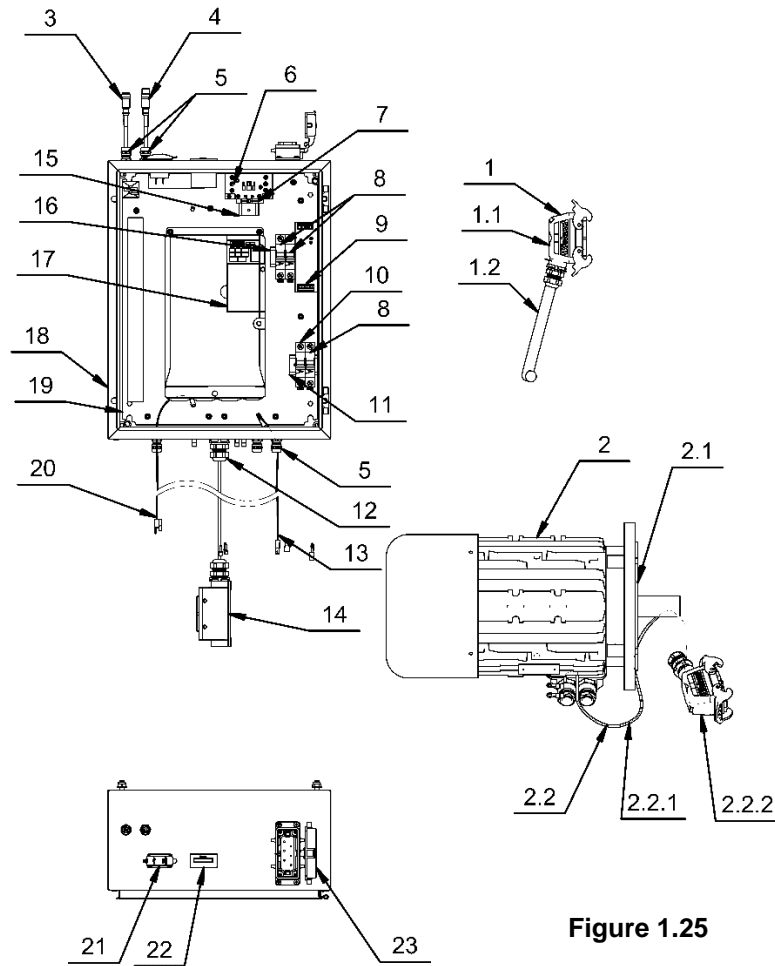


Figure 1.25

1.25 LAVINA® 25LHVS7 CONTROL BOX

Figure 1.25

No.		Item No.	Description	Pcs	No.	Item No.	Description	Pcs
1		L25LEHV40.00.00	Cable with connector	1	10	30311000612	Circuit breaker 2A 1P	1
	1.1	L32SHV-30.70.10	Connector	1	11	L16EU21.12.02	Rail L=50 H=7,5	1
	1.2	L25LEHV40.10.00	Cable	1	12	30311000405	Cable gland M25x1,5	1
2		A127.00.00.00	Electric motor assembly	1	13	L30S7.21.60.00	Cable for front lamp right	1
	2.1	30305000033	Electric motor	1	14	L30HVS7.21.50.00	Output cable from Invertor	1
	2.2	A104.10.00.00	Cable with connector	1	15	L16E21.12.02	Rail L=75 H=7,5	1
		2.2.1	Cable	1	16	L32EHV25.20.03	Rail L=85 H=7,5	1
		2.2.2	Connector	1	17	30313000105	Invertor	1
3		L30S7.21.31.00	Cable X1	1	18	L30S7.21.10.01	Metal box (only)	1
4		L20E25.54.00	Cable X2	1	19	L30S7.21.20.01	Metal plate (only)	1
5		30311000401	Cable gland M16x1,5	5	20	L30S7.21.40.00	Cable for front lamp left	1
6		30311000189	Contactora	1	21	30313000173	USB charger	1
7		30311000122	Metal end clamp	1	22	30313000153	Hour meter	1
8		30311000600	Circuit breaker 4A 1P	3	23	L25E30.02.00	Connector	1
9		30313000190	DC Power supply	1				

1.25 LAVINA® 30HVS7 CONTROL BOX

Figure 1.25

No.		Item No.	Description	Pcs	No.	Item No.	Description	Pcs
1		L25LEHV40.00.00	Cable with connector	1	10	30311000612	Circuit breaker 2A 1P	1
	1.1	L32SHV-30.70.10	Connector	1	11	L16EU21.12.02	Rail L=50 H=7,5	1
	1.2	L25LEHV40.10.00	Cable	1	12	30311000405	Cable gland M25x1,5	1
2		A127.00.00.00	Electric motor assembly	1	13	L30S7.21.60.00	Cable for front lamp right	1
	2.1	30305000033	Electric motor	1	14	L30HVS7.21.50.00	Output cable from Invertor	1
	2.2	A104.10.00.00	Cable with connector	1	15	L16E21.12.02	Rail L=75 H=7,5	1
		2.2.1	Cable	1	16	L32EHV25.20.03	Rail L=85 H=7,5	1
		2.2.2	Connector	1	17	30313000105	Invertor	1
3		L30S7.21.31.00	Cable X1	1	18	L30S7.21.10.01	Metal box (only)	1
4		L20E25.54.00	Cable X2	1	19	L30S7.21.20.01	Metal plate (only)	1
5		30311000401	Cable gland M16x1,5	5	20	L30S7.21.40.00	Cable for front lamp left	1
6		30311000189	Contactora	1	21	30313000173	USB charger	1
7		30311000122	Metal end clamp	1	22	30313000153	Hour meter	1
8		30311000600	Circuit breaker 4A 1P	3	23	L25E30.02.00	Connector	1
9		30313000190	DC Power supply	1				

1.26. LAVINA® 30ES7; 25LES7 CONTROL BOX

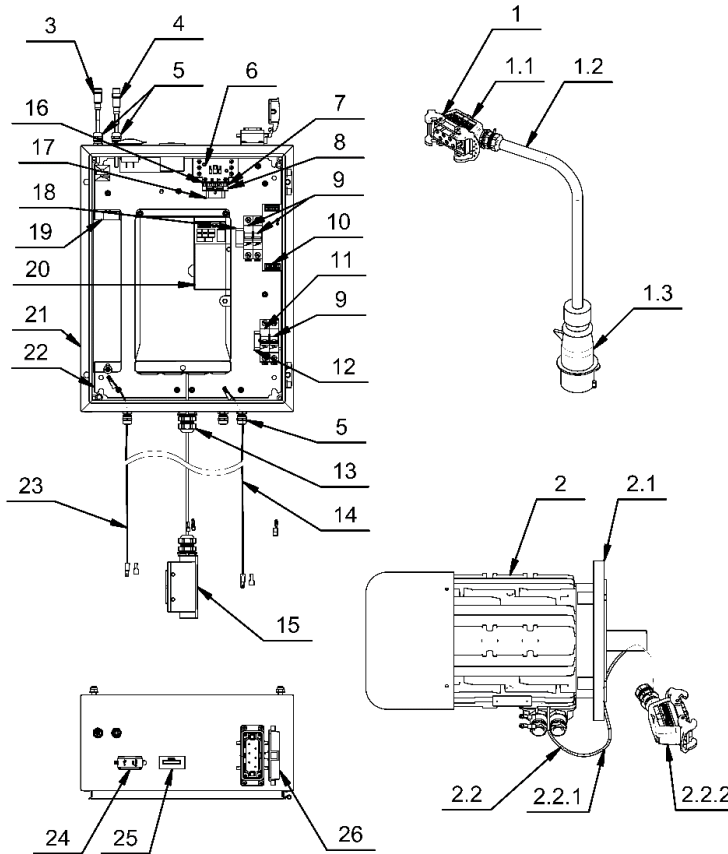


Figure 1.26

1.26 LAVINA® 25LES7 CONTROL BOX

Figure 1.26

No.	Item No.	Description	Pcs	No.	Item No.	Description	Pcs
1	L25LEU40.00.00	Cable with connectors	1	11	30311000612	Circuit breaker 2A 1P	1
1.1	L32SHV-30.70.10	Connector	1	12	L16EU21.12.02	Rail L=50 H=7,5	1
	L25LEU40.10.00	Cable	1	13	30311000405	Cable gland M25x1,5	1
	30311000148	Plug	1	14	L30S7.21.60.00	Cable for front lamp right	1
2	A127.00.00.00	Electric motor assembly	1	15	L30HVS7.21.50.00	Output cable from Invertor	1
2.1	30305000033	Electric motor	1	16	30311000181	Terminal end plate	1
	A104.10.00.00	Cable with connectors	1	17	L16E21.12.02	Rail L=75 H=7,5	1
	2.2.1	A104.11.00.00	Cable	1	L32EHV25.20.03	Rail L=85 H=7,5	1
	2.2.2	L32SHV-30.20.11	Connector	1	30323000103	Filter	1
3	L30S7.21.31.00	Cable X1	1	20	30313000105	Invertor	1
4	L20E25.54.00	Cable X2	1	21	L30S7.21.10.01	Metal box (only)	1
5	30311000401	Cable gland M16x1,5	5	22	L30S7.21.20.01	Metal plate (only)	1
6	30311000189	Contactar	1	23	L30S7.21.40.00	Cable for front lamp left	1
7	30311000118	Feed-Through Terminal Block	1	24	30313000173	USB charger	1
8	30311000122	Metal end clamp	1	25	30313000153	Hour meter	1
9	30311000600	Circuit breaker 4A 1P	3	26	L25E30.02.00	Connector	1
10	30313000190	DC Power supply	1				

1.26 LAVINA® 30ES7 CONTROL BOX

Figure 1.26

No.	Item No.	Description	Pcs	No.	Item No.	Description	Pcs
1	L25LEU40.00.00	Cable with connectors	1	11	30311000612	Circuit breaker 2A 1P	1
1.1	L32SHV-30.70.10	Connector	1	12	L16EU21.12.02	Rail L=50 H=7,5	1
	L25LEU40.10.00	Cable	1	13	30311000405	Cable gland M25x1,5	1
	30311000148	Plug	1	14	L30S7.21.60.00	Cable for front lamp right	1
2	A127.00.00.00	Electric motor assembly	1	15	L30HVS7.21.50.00	Output cable from Invertor	1
2.1	30305000033	Electric motor	1	16	30311000181	Terminal end plate	1
	A104.10.00.00	Cable with connectors	1	17	L16E21.12.02	Rail L=75 H=7,5	1
	2.2.1	A104.11.00.00	Cable	1	L32EHV25.20.03	Rail L=85 H=7,5	1
	2.2.2	L32SHV-30.20.11	Connector	1	30323000103	Filter	1
3	L30S7.21.31.00	Cable X1	1	20	30313000105	Invertor	1
4	L20E25.54.00	Cable X2	1	21	L30S7.21.10.01	Metal box (only)	1
5	30311000401	Cable gland M16x1,5	5	22	L30S7.21.20.01	Metal plate (only)	1
6	30311000189	Contactar	1	23	L30S7.21.40.00	Cable for front lamp left	1
7	30311000118	Feed-Through Terminal Block	1	24	30313000173	USB charger	1
8	30311000122	Metal end clamp	1	25	30313000153	Hour meter	1
9	30311000600	Circuit breaker 4A 1P	3	26	L25E30.02.00	Connector	1
10	30313000190	DC Power supply	1				

1.27. LAVINA® 25S7 CONTROL BOX

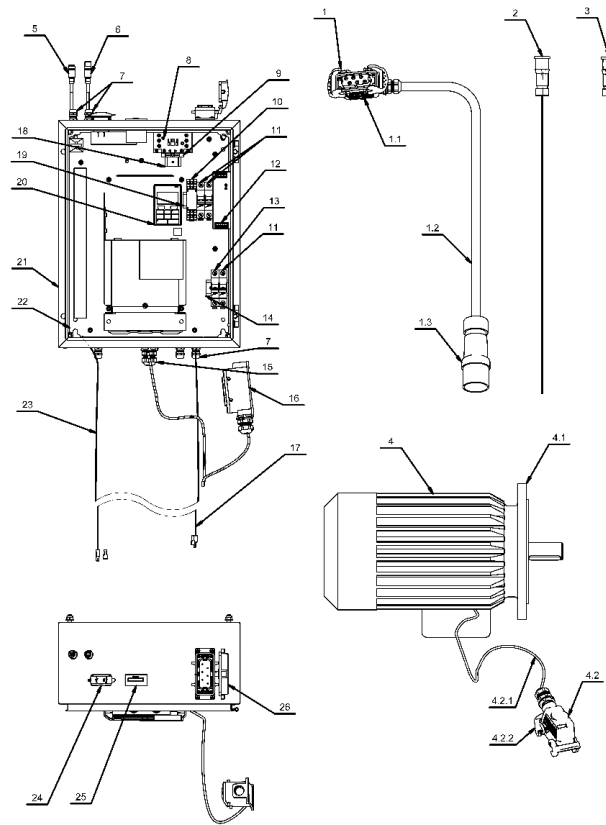


Figure 1.27

1.27 LAVINA® 25S7 CONTROL BOX								
Figure 1.27								
No.		Item No.	Description	Pcs	No.	Item No.	Description	Pcs
1		L25E40.10.00	Cable with connectors	1	11	30311000600	Circuit breaker 4A 1P	3
	1.1	L32SHV-30.70.10	Connector	1	12	30313000190	DC Power supply	1
	1.2	L25E40.11.00	Cable	1	13	30311000612	Circuit breaker 2A 1P	1
	1.3	30311000045	Plug	1	14	L16EU21.12.02	Rail L=50 H=7,5	1
2		L25X-30.01.00	Pigtail 1 Phase	1	15	30311000405	Cable gland M25x1,5	1
3		L25X-30.03.00	Pigtail 3 Phase	1	16	L25S7.21.40.00	Output cable from Invertor	1
4		A107.00.00.00-1	Electric motor assembly	1	17	L30S7.21.60.00	Cable for front lamp right	1
	4.1	3030500032	Electric motor	1	18	L16E21.12.02	Rail L=75 H=7,5	1
	4.2	A107.10.00.00	Cable with connectors	1	19	L30S7.21.20.03	Rail L=100 H=7,5	1
	4.2.1	A107.10.10.00	Cable	1	20	30313000102	Invertor	1
	4.2.2	L32SHV-30.20.11	Connector	1	21	L30S7.21.10.01	Metal box (only)	1
5		L30S7.21.31.00	Cable X1	1	22	L30S7.21.20.01	Metal plate (only)	1
6		L20E25.54.00	Cable X2	1	23	L30S7.21.40.00	Cable for front lamp left	1
7		30311000401	Cable gland M16x1,5	5	24	30313000173	USB charger	1
8		30311000189	Contactor	1	25	30313000153	Hour meter	1
9		30311000122	Metal end clamp	1	26	L25E30.02.00	Connector	1
10		30311000191	Over voltage relay	1				

1.28. LAVINA® 25ES7 CONTROL BOX

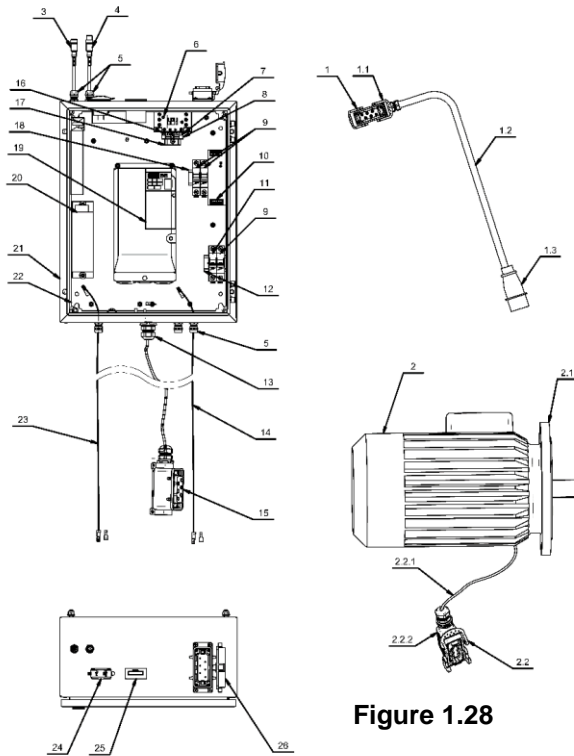


Figure 1.28

1.28 LAVINA® 25ES7 CONTROL BOX								
Figure 1.28								
No.		Item No.	Description	Pcs	No.	Item No.	Description	Pcs
1		L25EU40.00.00	Cable with connectors	1	11	30311000612	Circuit breaker 2A 1P	1
	1.1	L32SHV-30.70.10	Connector	1	12	L16EU21.12.02	Rail L=50 H=7,5	1
	1.2	L25EU40.10.00	Cable	1	13	30311000405	Cable gland M25x1,5	1
	1.3	30311000147	Plug	1	14	L30S7.21.60.00	Cable for front lamp right	1
2		A107.00.00.00-1	Electric motor assembly	1	15	L25ES7.21.30.00	Output cable from Invertor	1
	2.1	30305000032	Electric motor	1	16	30311000181	Terminal end plate	1
	2.2	A107.10.00.00	Cable with connectors	1	17	L16E21.12.02	Rail L=75 H=7,5	1
		2.2.1	Cable	1	18	L32EHV25.20.03	Rail L=85 H=7,5	1
		2.2.2	Connector	1	19	30313000108	Invertor	1
3		L30S7.21.31.00	Cable X1	1	20	30323000102	Filter	1
4		L20E25.54.00	Cable X2	1	21	L30S7.21.10.01	Metal box (only)	1
5		30311000401	Cable gland M16x1,5	5	22	L25ES7.21.10.01	Metal plate (only)	1
6		30311000190	Contactor	1	23	L30S7.21.40.00	Cable for front lamp left	1
7		30311000118	Feed-Through Terminal Block	1	24	30313000173	USB charger	1
8		30311000122	Metal end clamp	1	25	30313000153	Hour meter	1
9		30311000600	Circuit breaker 4A 1P	3	26	L25E30.02.00	Connector	1
10		30313000190	DC Power supply	1				

1.29. LAVINA® 31S7 CONTROL BOX

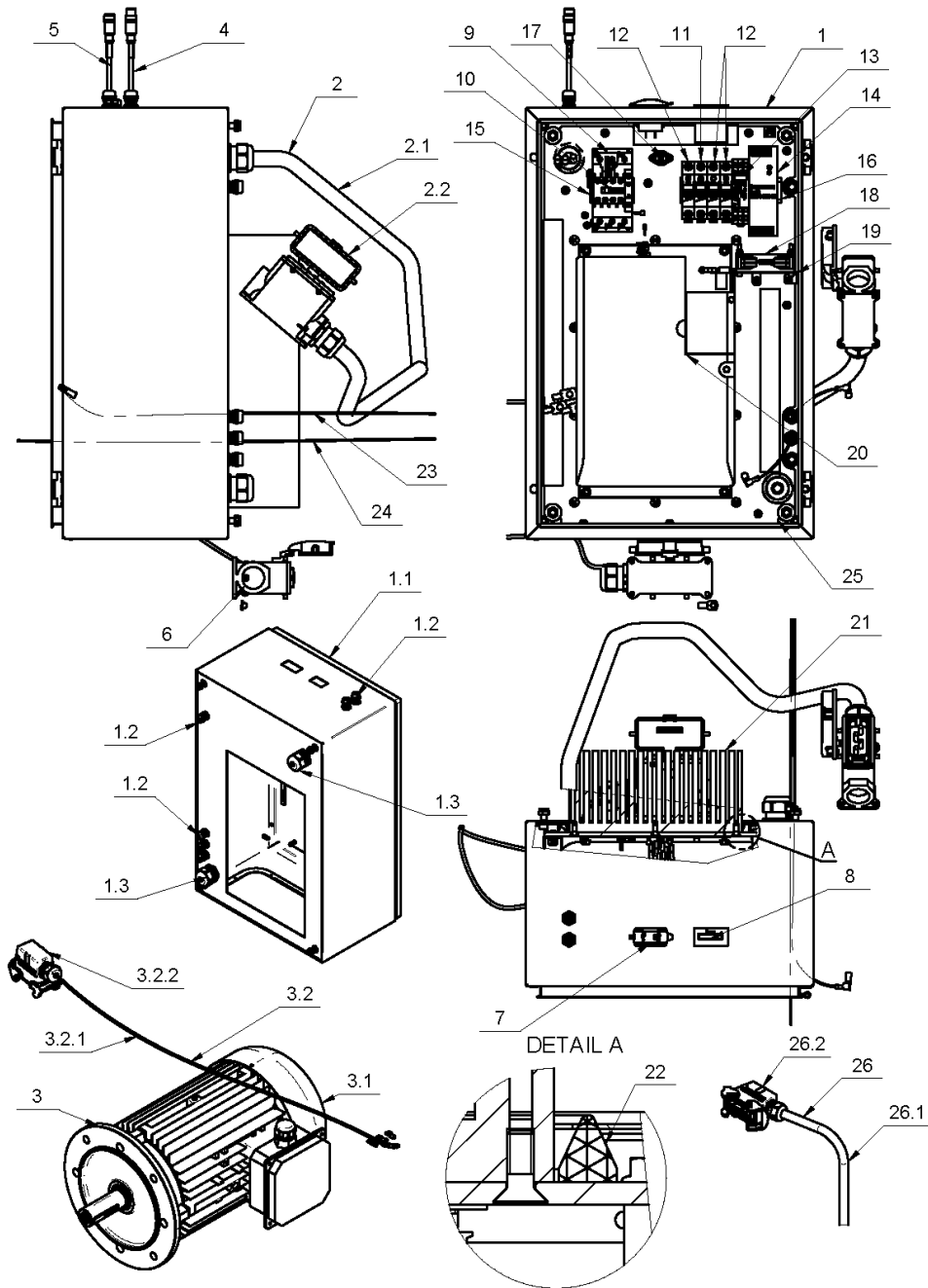


Figure 1.29

1.29 LAVINA 31S7 CONTROL BOX

Figure 1.29

№		item.№	Description	Pcs	№	item.№	Description	Pcs
1		L31S7.29.10.00	Metal box assembly	1	11	30311000612	Circuit breaker 2A 1P	1
	1.1	L31S7.29.10.01	Metal box(only)	1	12	30311000600	Circuit breaker 4A 1P	3
	1.2	30311000401	Cable gland M16x1.5	6	13	30311000191	Over voltage relay	1
	1.3	30311000404	Cable gland M32x1.5	2	14	30313000190	DC Power supply	1
2		L31S7.29.50.00	Cable with connector	1	15	L31S7.29.20.03	Rail L=60 H=7,5.	1
	2.1	L31S7-29.51.00	Cable	1	16	L25E25.20.02	Rail L=140 H=7,5.	1
	2.2	L31S7.29.52.00	Connector	1	17	30305001024	Thermostat bimetallic KSD	1
3		A117.00.00.00	Electric motor assembly	1	18	L31S7.29.21.10-K	Kit Fan cooling	1
	3.1	30305000031	Electric motor	1	19	L31S7.29.21.01	Fan stand	1
	3.2	L32S-30.20.10	Cable with conenector	1	20	30313000132	Invertor	1
	3.2.1	L32S-30.20.12	Cable	1	21	L31S7.29.20.02	Radiator	1
	3.2.2	L32S-30.20.11	Conenector	1	22	30302000103	Sealant L=1400mm	1
4		L20E25.54.00	Cable X2	1	23	L30S7.21.60.00	Cable for front lamp right	1
5		L31S7.29.33.00	Cable X1	1	24	L30S7.21.40.00	Cable for front lamp left	1
6		L31S7.29.40.00	Output cable from invertor	1	25	L31S7.29.20.01	Metal plate (only)	1
7		30313000173	USB charger	1	26	L32S-30.70.00	Cable with connector	1
8		30313000153	Hour meter	1	26.1	L32S-30.70.20	Cable	1
9		30311000188	Contactur	1	26.2	L32S-30.70.10	Connector	1
10		30311000198	Additional contact for Contactur	1				

1.30. LAVINA® 31HVS7 CONTROL BOX

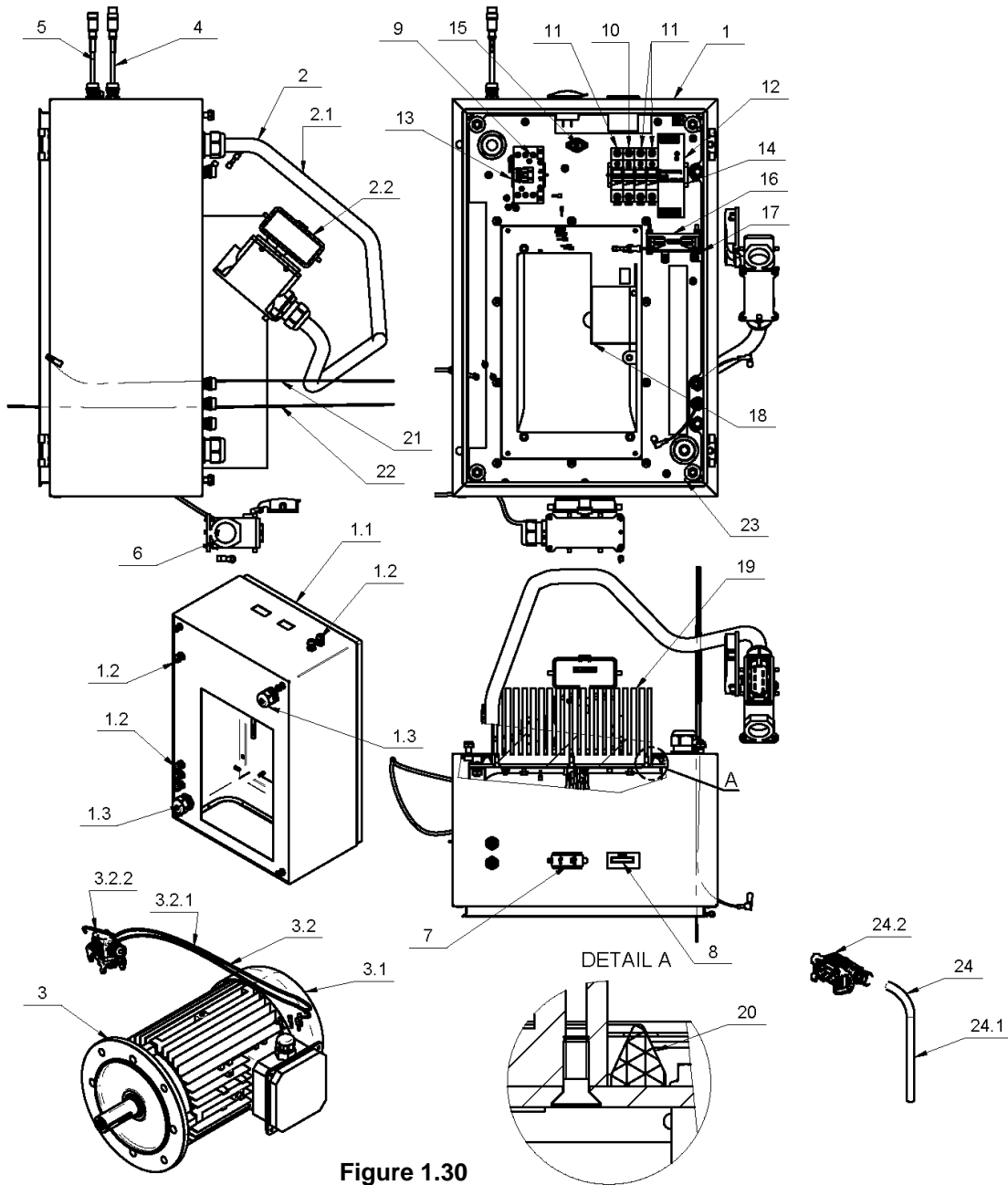


Figure 1.30

1.30 LAVINA 31HVS7 CONTROL BOX

Figure 1.30

№		item.№	Description	Pcs	№	item.№	Description	Pcs
1		L31S7.29.10.00	Metal box assembly	1	10	30311000612	Circuit breaker 2A 1P	1
	1.1	L31S7.29.10.01	Metal box(only)	1	11	30311000600	Circuit breaker 4A 1P	3
	1.2	30311000401	Cable gland M16x1.5	6	12	30313000190	DC Power supply	1
	1.3	30311000404	Cable gland M32x1.5	2	13	L16EU21.12.02	Rail L=50 H=7,5.	1
2		L31S7.29.50.00	Cable with connector	1	14	L32RE25.20.06	Rail L=120 H=7,5.	1
	2.1	L31HVS7.29.51.00	Cable	1	15	30305001024	Thermostat bimetallic KSD	1
	2.2	L31HVS7.29.52.00	Connector	1	16	L31S7.29.21.10-K	Kit Fan cooling	1
3		A119.00.00.00	Electric motor assembly	1	17	L31S7.29.21.01	Fan stand	1
	3.1	30305000031	Electric motor	1	18	30313000133	Invertor	1
	3.2	L32EHV18.10.00	Cable with conenector	1	19	L31S7.29.20.02	Radiator	1
	3.2.1	L32EHV18.11.00	Cable	1	20	30302000103	Sealant L=1400mm	1
	3.2.2	L32SHV-30.20.11	Conenector	1	21	L30S7.21.60.00	Cable for front lamp right	1
4		L20E25.54.00	Cable X2	1	22	L30S7.21.40.00	Cable for front lamp left	1
5		L31S7.29.33.00	Cable X1	1	23	L31S7.29.20.01	Metal plate (only)	1
6		L31HVS7.29.40.00	Output cable from invertor	1	24	L32SHV-30.70.00	Cable with connector	1
7		30313000173	USB charger	1	24.1	L332SHV-30.70.20	Cable	1
8		30313000153	Hour meter	1	24.2	L32SHV-30.70.10	Connector	1
9		30311000189	Contactora	1				

1.31. LAVINA® 31ES7 CONTROL BOX

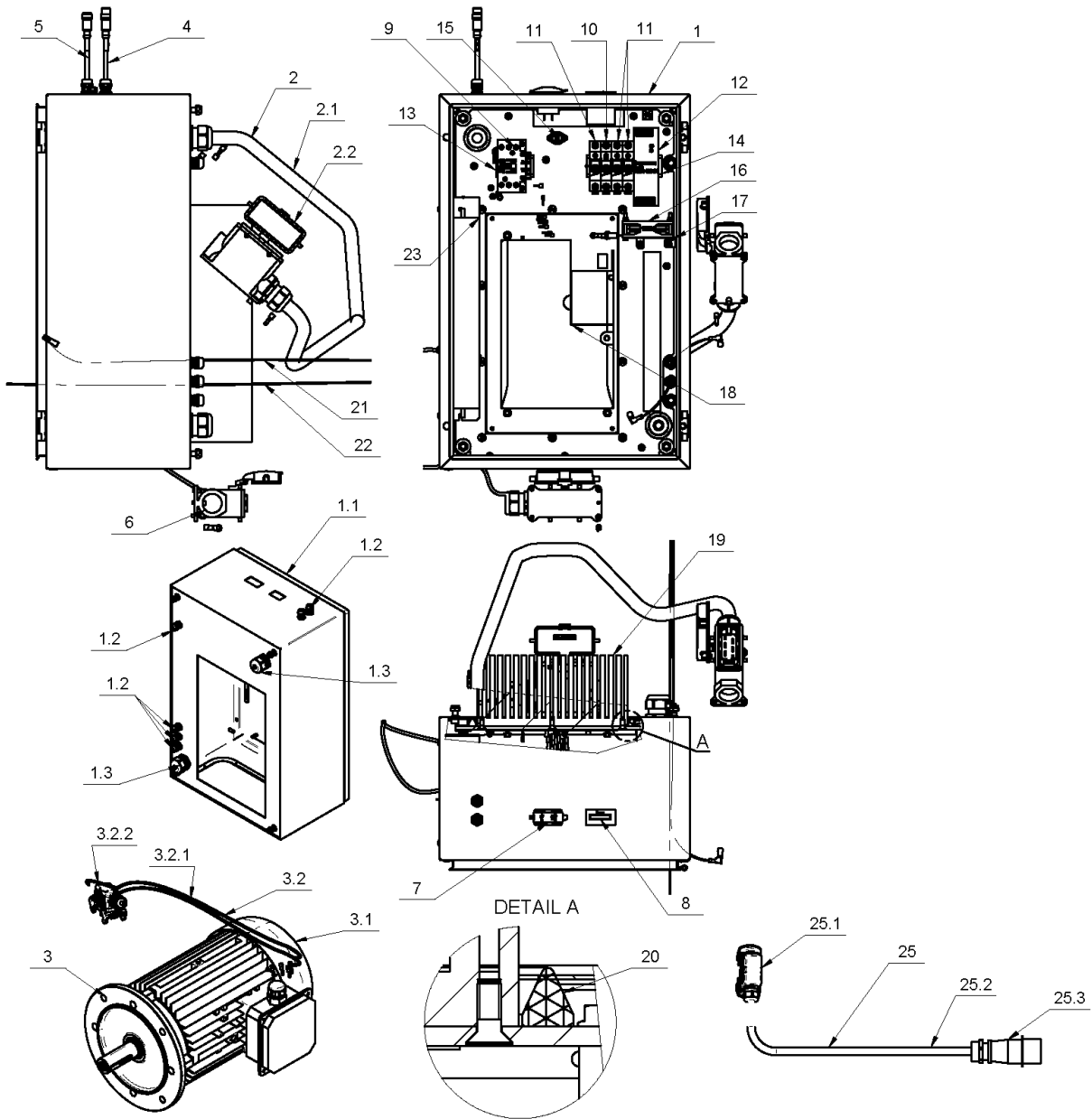


Figure 1.31

1.31 LAVINA 31ES7 CONTROL BOX

Figure 1.31

№		item.№	Description	Pcs	№	item.№	Description	Pcs
1		L31S7.29.10.00	Metal box assembly	1	11	30311000600	Circuit breaker 4A 1P	3
	1.1	L31S7.29.10.01	Metal box(only)	1	12	30313000190	DC Power supply	1
	1.2	30311000401	Cable gland M16x1.5	6	13	L31S7.29.20.03	Rail L=60 H=7,5.	1
	1.3	30311000404	Cable gland M32x1.5	2	14	L32RE25.20.06	Rail L=120 H=7,5.	1
2		L31ES7.29.50.00	Cable with connector	1	15	30305001024	Thermostat bimetallic KSD	1
	2.1	L31ES7.29.51.00	Cable	1	16	L31S7.29.21.10-K	Kit Fan cooling	1
	2.2	L31HVS7.29.52.00	Connector	1	17	L31S7.29.21.01	Fan stand	1
3		A119.00.00.00	Electric motor assembly	1	18	30313000133	Invertor	1
	3.1	30305000031	Electric motor	1	19	L31S7.29.20.02	Radiator	1
	3.2	L32EHV18.10.00	Cable with conenector	1	20	30302000103	Sealant L=1400mm	1
	3.2.1	L32EHV18.11.00	Cable	1	21	L30S7.21.60.00	Cable for front lamp right	1
	3.2.2	L32SHV-30.20.11	Conenector	1	22	L30S7.21.40.00	Cable for front lamp left	1
4		L20E25.54.00	Cable X2	1	23	30323000105	Filter	1
5		L31S7.29.33.00	Cable X1	1	24	L31S7.29.20.01	Metal plate (only)	1
6		L31HVS7.29.40.00	Output cable from invertor	1	25	L32XE-30.70.00	Cable with conenector	1
7		30313000173	USB charger	1	25.1	L32EU30.10.00	Conenector	1
8		30313000153	Hour meter	1	25.2	L32SE-30.70.10	Cable	1
9		30311000189	Contacto	1	25.3	30311000148	Conenector	1
10		30311000612	Circuit breaker 2A 1P	1				